

MATERIALS AND FINISHES

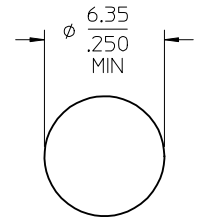
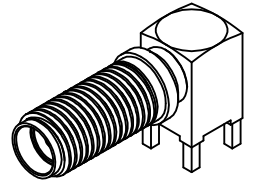
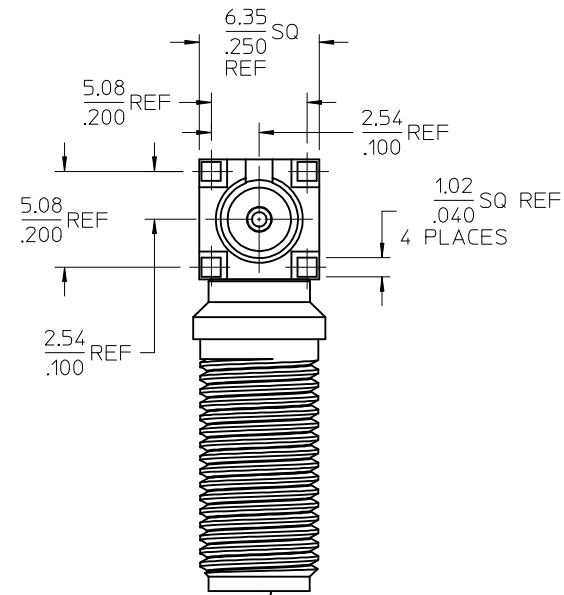
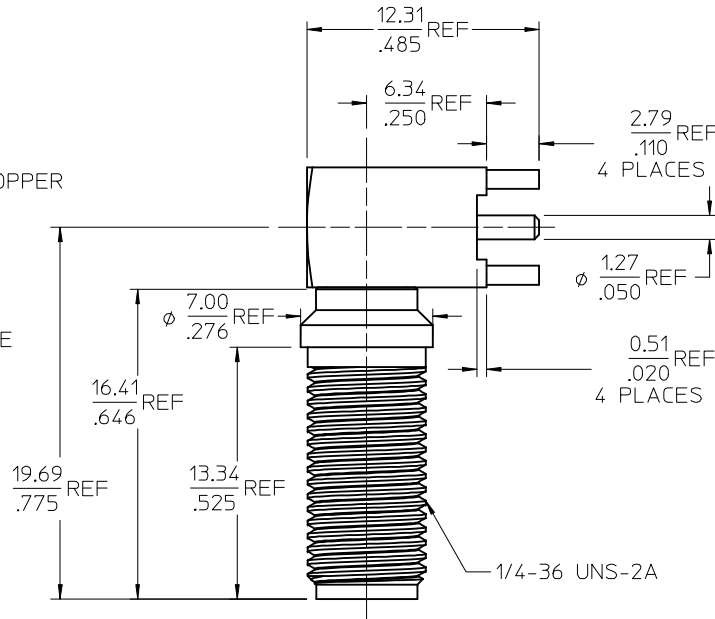
BODY BRASS
PLATED SEE TABLE

CENTER CONTACT BERYLLIUM COPPER
PLATED GOLD

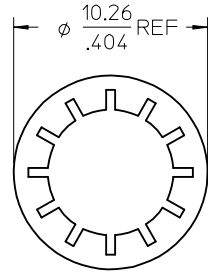
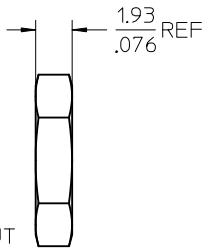
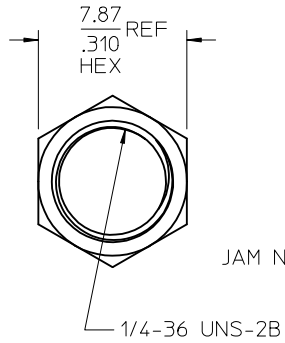
INSULATOR TEFLON

LOCKWASHER PHOSPHOR BRONZE
PLATED SEE TABLE

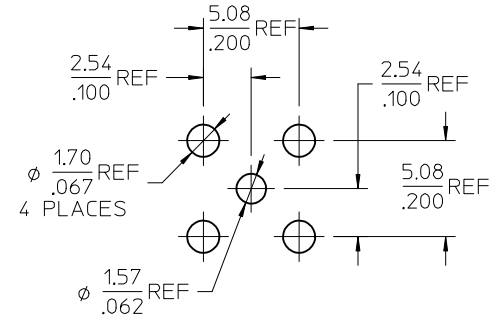
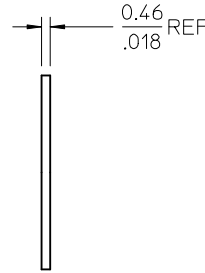
JAM NUT BRASS
PLATED SEE TABLE



RECOMMENDED MOUNTING HOLE
MAXIMUM PANEL THICKNESS 5.20(.205)



LOCKWASHER



RECOMMENDED PCB HOLE LAYOUT

MIL-STD-348A, FIG. 310.2	INTERFACE
SPECIFICATION	DESCRIPTION

73251-2411	GOLD
73251-2410	NICKEL
PART NO.	PLATING

CHG: DIM ϕ 7.00 REF WAS ϕ 7.92 REF REDREW TO SHOW REVISED COMPONENTS	EC NO: URF2007-0474	2007/05/25
	DRWIN:FLAHERTY	2007/05/25
	CHKD:SSHAH	2007/05/25
	APPR:JWIENER	2007/05/25
A1	DESCRIPTION	

QUALITY SYMBOLS	GENERAL TOLERANCES (UNLESS SPECIFIED)	DIMENSION STYLE	SCALE	DESIGN UNITS	THIRD ANGLE PROJECTION
$\nabla=0$	mm INCH	MM/IN	METRIC		
$\nabla=0$	4 PLACES \pm --- \pm ---	DRAWN BY DATE			
	3 PLACES \pm --- \pm ---	TEF 2004/02/20			
	2 PLACES \pm --- \pm ---	CHECKED BY DATE			
	1 PLACE \pm --- \pm ---	SSS 2004/02/20			
	ANGULAR \pm 2 °	APPROVED BY DATE			
		JDW 2004/02/20			
	DRAFT WHERE APPLICABLE MUST REMAIN WITHIN DIMENSIONS	MATERIAL NO.			
		SEE TABLE			
		SIZE			
		C			

TITLE		SMA JACK, BULKHEAD, R/A PCB, EWR-2353, 50 OHMS SMA-J/BLK/RA	
MOLEX INCORPORATED		SHEET NO. 1 OF 1	
DOCUMENT NO.		SD-73251-241	
THIS DRAWING CONTAINS INFORMATION THAT IS PROPRIETARY TO MOLEX INCORPORATED AND SHOULD NOT BE USED WITHOUT WRITTEN PERMISSION			