

NOTES:

1. MATERIAL:

HOUSING: LIQUID CRYSTAL POLYMER (LCP), GLAS-FILLED, UL 94V-0,

COLOR: BLASK

TERMINALS: BRASS

2. FINISH:

TERMINAL: 0.76 MICROMETERS/30 MICROINCHES MINIMUM SELECTIVE GOLD

IN CONTACT AREA; 1.27 MICROMETERS/50 MICROINCHES MINIMUM

SELECTIVE TIN IN THE PC TAIL AREA; NICKEL UNDERPLATE OVERALL

3. ASSEMBLY MATES WITH MOLEX P/N SDA-71660-****

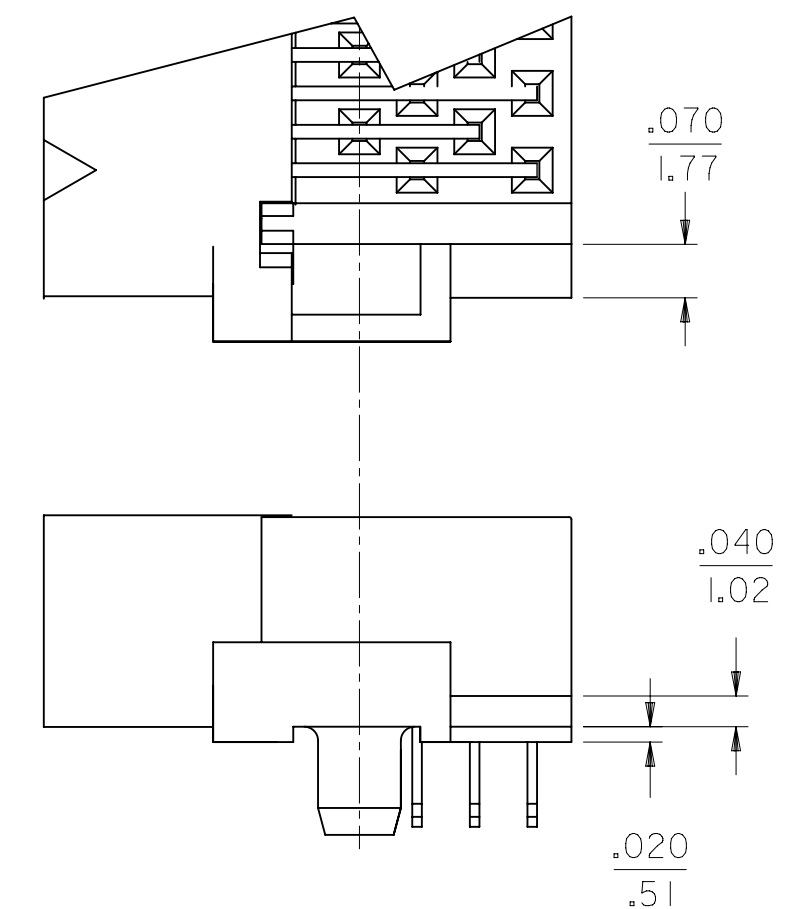
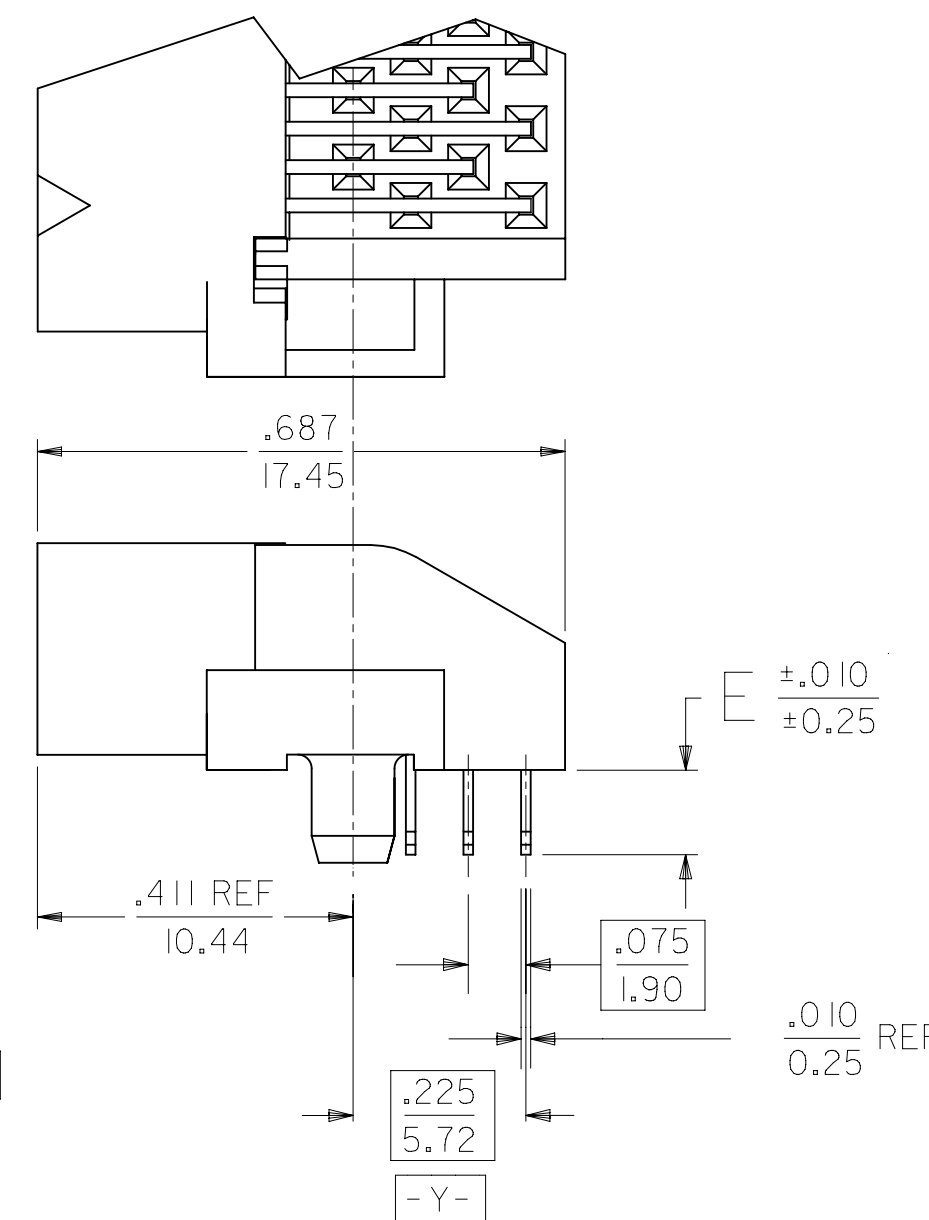
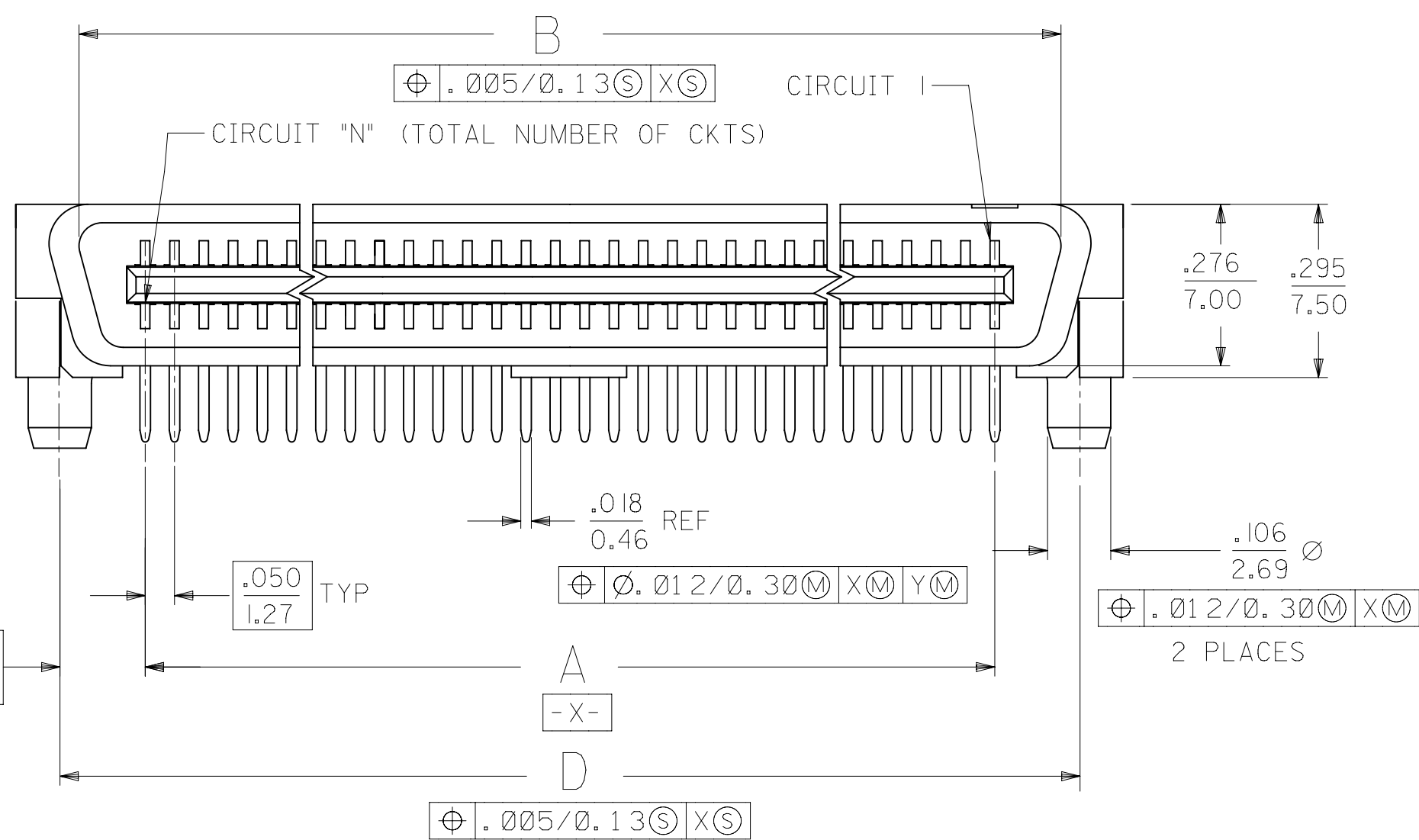
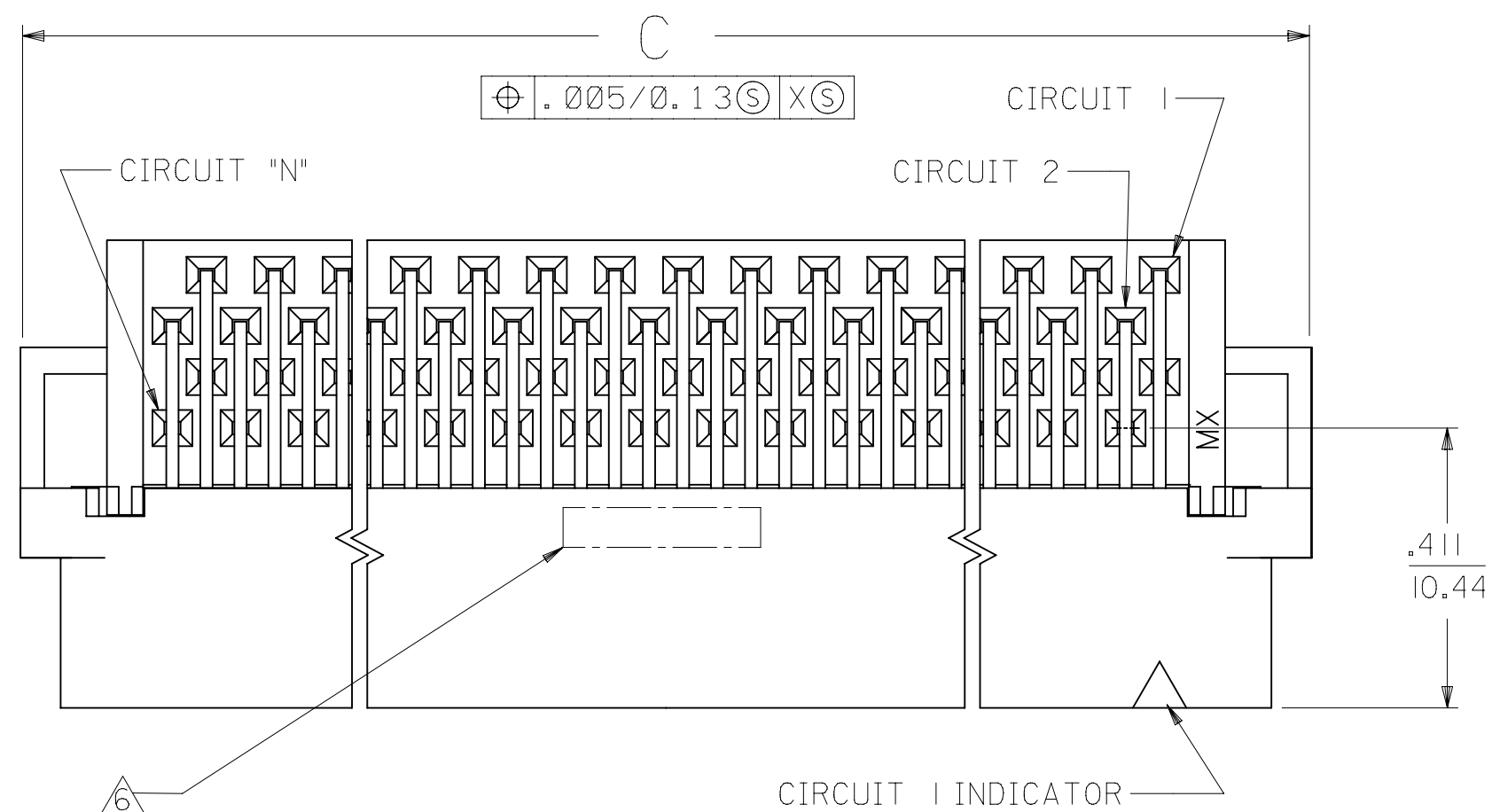
4. CONFORMS TO PRODUCT SPEC: PS-71660

5. RECOMMENDED PC BOARD THICKNESS IS .062/1.60

6. FOUR DIGIT DATE CODE (WK, YR) EXAMPLE 26 96 LOCATED IN AREA SHOWN

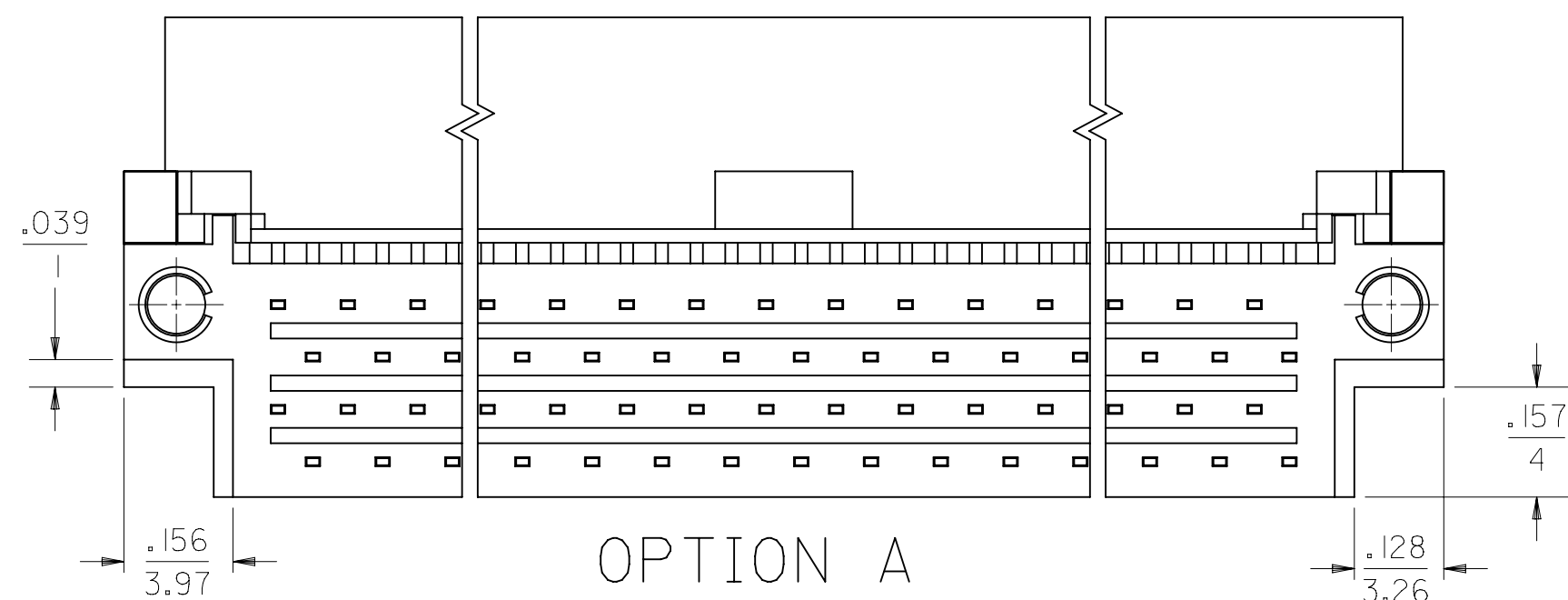
7. TOOLING STATUS: "X" INDICATES NO TOOLING AVAILABLE

CONTACT FACTORY FOR FURTHER INFORMATION



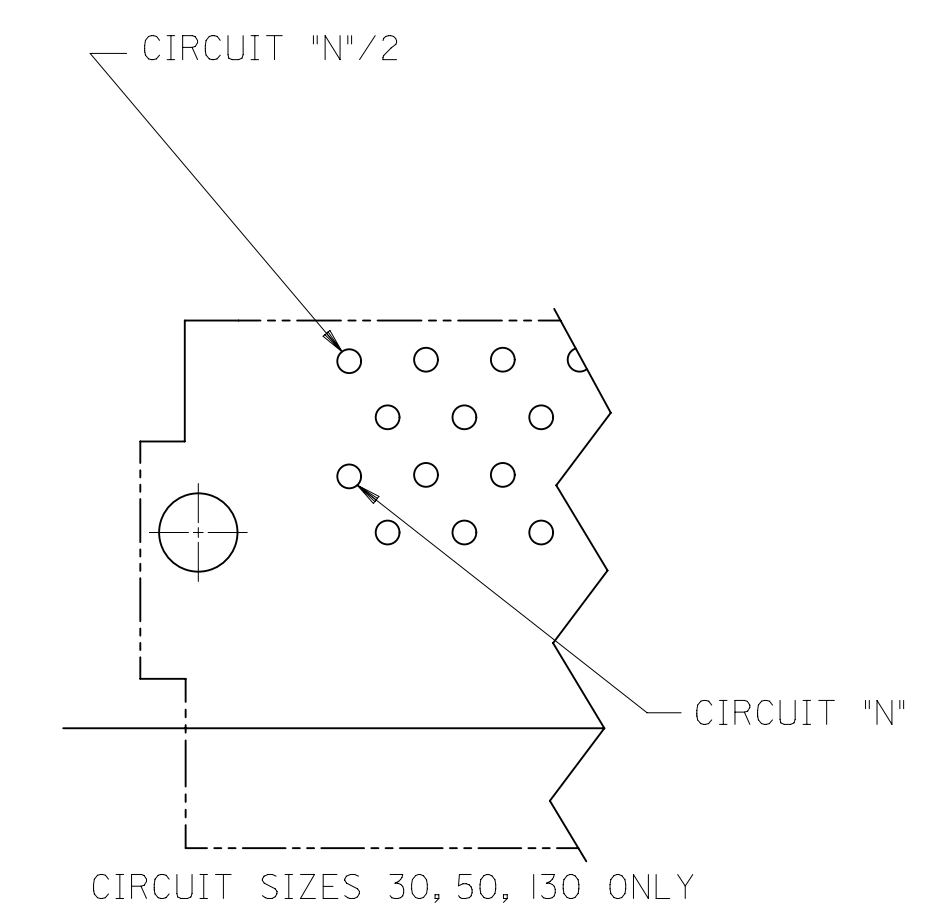
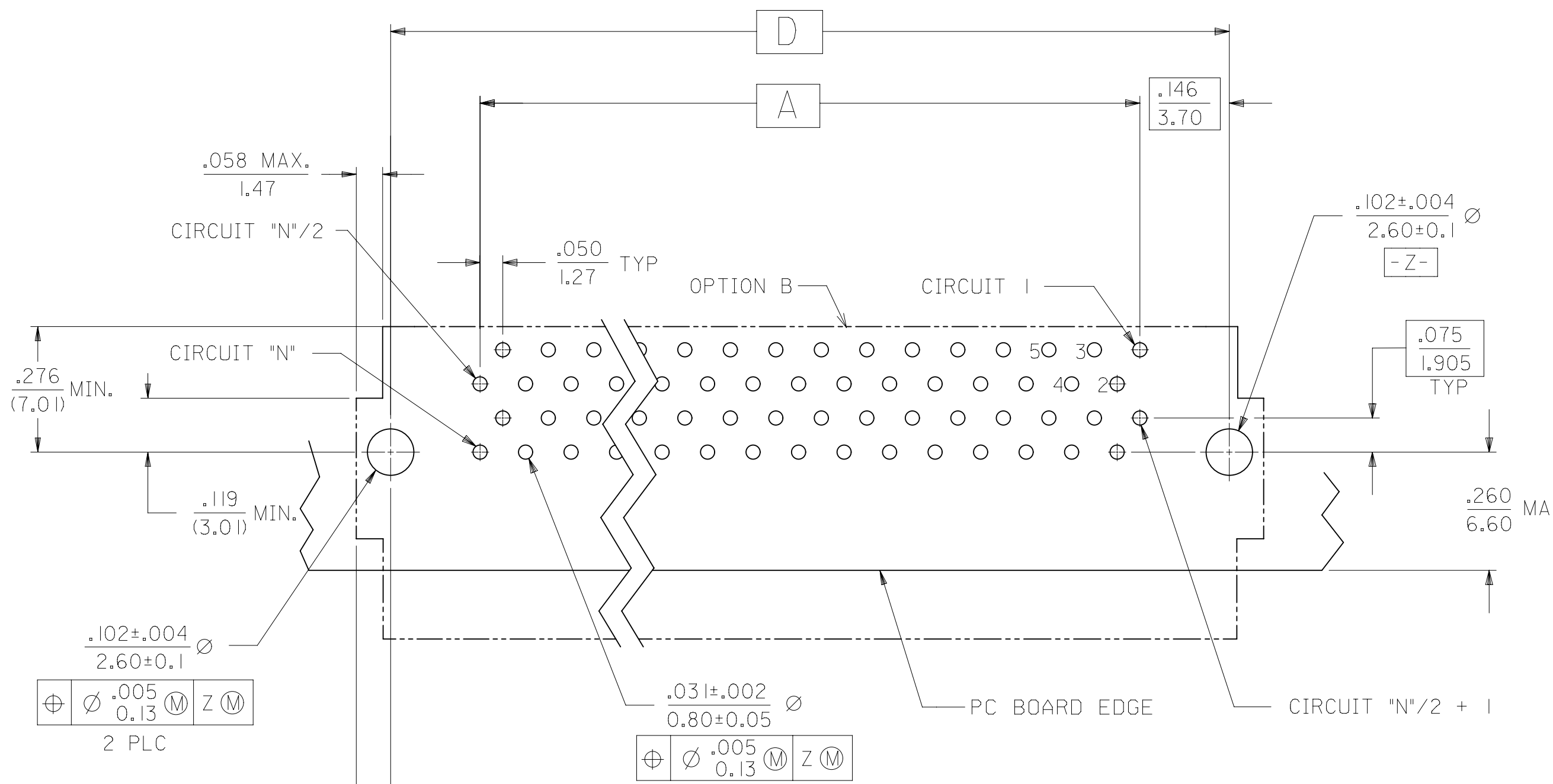
END DETAIL
OPTION A
(BOTH ENDS)

END DETAIL
OPTION B
(BOTH ENDS)

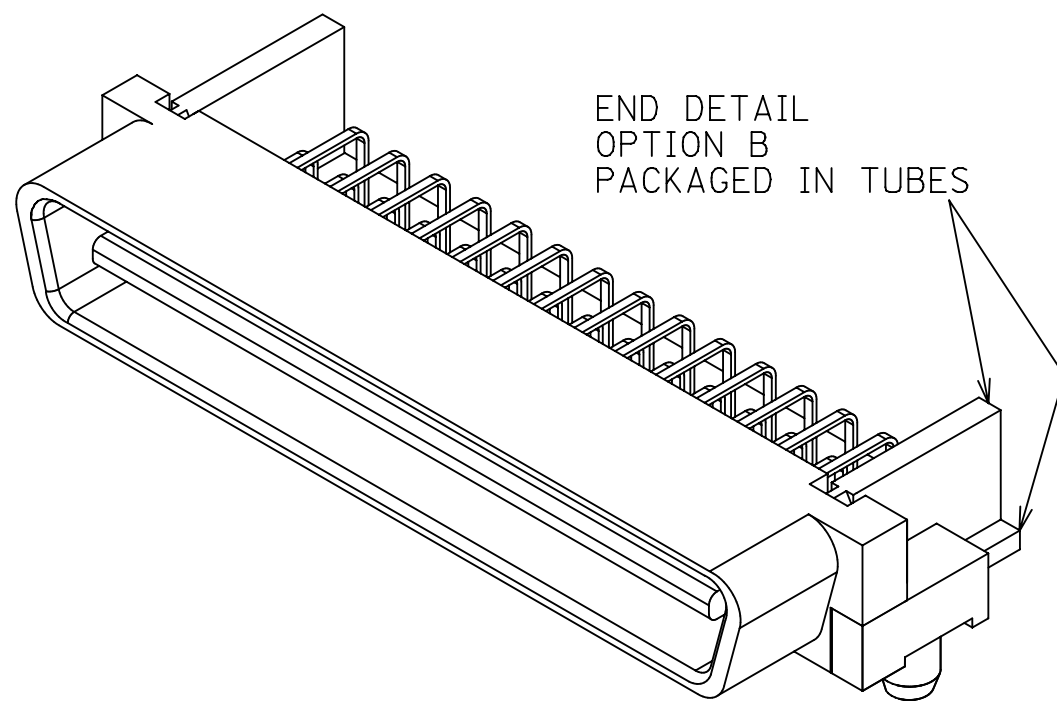
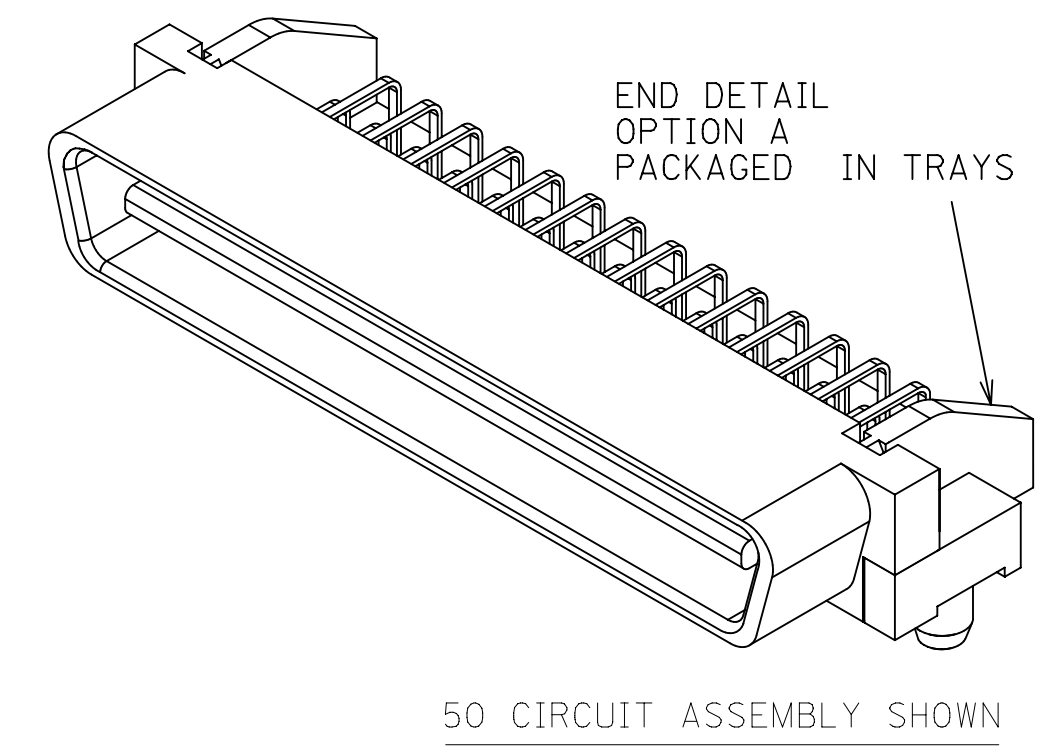


OPTION A

THIS DRAWING CONTAINS INFORMATION THAT IS PROPRIETARY TO MOLEX ELECTRONIC TECHNOLOGIES, LLC AND SHOULD NOT BE USED WITHOUT WRITTEN PERMISSION											
DIMENSION UNITS		SCALE		CURRENT REV DESC: REMOVED OBSOLETE PART NUMBER AS PER PCN#510808.							
INCH		4:1									
GENERAL TOLERANCES (UNLESS SPECIFIED)				EC NO: 736640		2023/01/31		SALES ASSEMBLY EBBI 50D RIGHT ANGLE PLUG CONNECTOR			
4 PLACES		±		DRWN: LIKITV		2023/02/16					
3 PLACES		±		CHK'D: GGA		2023/02/16		PRODUCT CUSTOMER DRAWING			
2 PLACES		± 0.25		APPR: GGA		2023/02/16					
1 PLACE		±		INITIAL REVISION:				DOCUMENT NUMBER SDA-71661-2XXX			
0 PLACES		±		DRWN: DRAWN BY		0099/99/99					
ANGULAR TOL		± 0.5°		APPR: APPR BY		0099/99/99		DOC TYPE PSD		DOC PART 001	
DRAFT WHERE APPLICABLE MUST REMAIN WITHIN DIMENSIONS				THIRD ANGLE PROJECTION		DRAWING C-SIZE		SERIES 71661		SHEET NUMBER 1 OF 2	



RECOMMENDED PC BOARD LAYOUT **COMPONENT SIDE**



.110 (2.79)	2.741 (69.63)	2.892 (73.45)	2.676 (67.97)	2.450 (62.23)	100	71661-2100
	1.241 (31.53)	1.392 (35.35)	1.176 (29.87)	.950 (24.13)	40	71661-2040
	.991 (25.18)	1.142 (29.00)	.925 (23.52)	.700 (17.78)	30	71661-2030
E	D	C	B	A	CKT ("N")	ITEM NUMBER

TRAY PACK PER SPEC. PK-70873-084*
END DETAIL OPTION "A"

THIS DRAWING CONTAINS INFORMATION THAT IS PROPRIETARY TO MOLEX ELECTRONIC TECHNOLOGIES, LLC AND SHOULD NOT BE USED WITHOUT WRITTEN PERMISSION

DIMENSION UNITS INCH	SCALE 4:1	CURRENT REV DESC: REMOVED OBSOLETE PART NUMBER AS PER PCN#510808.				
GENERAL TOLERANCES (UNLESS SPECIFIED)		EC NO: 736640				
4 PLACES ±	±	DRWN: LIKITV		2023/01/31		
3 PLACES ±	± 0.01	CHK'D: GGA		2023/02/16		
2 PLACES ±	0.25 ±	APPR: GGA		2023/02/16		
1 PLACE ±	±	INITIAL REVISION:		DOCUMENT NUMBER		
0 PLACES ±	±	DRWN: DRAWN BY		SDA-71661-2XXX		
ANGULAR TOL ±	0.5 °	APPR: APPR BY		DOC TYPE DOC PART REVISION		
DRAFT WHERE APPLICABLE MUST REMAIN WITHIN DIMENSIONS		THIRD ANGLE PROJECTION		DRAWING		SHEET NUMBER
				C-SIZE		71661
				MATERIAL NUMBER		CUSTOMER
				see table		GENERAL MARKET