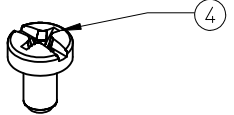
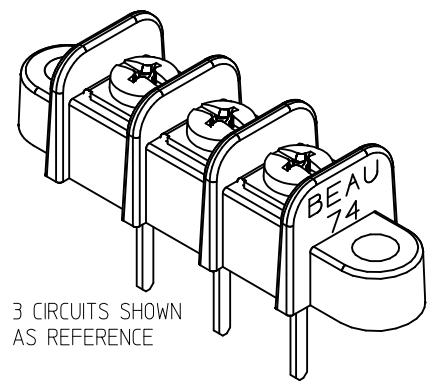
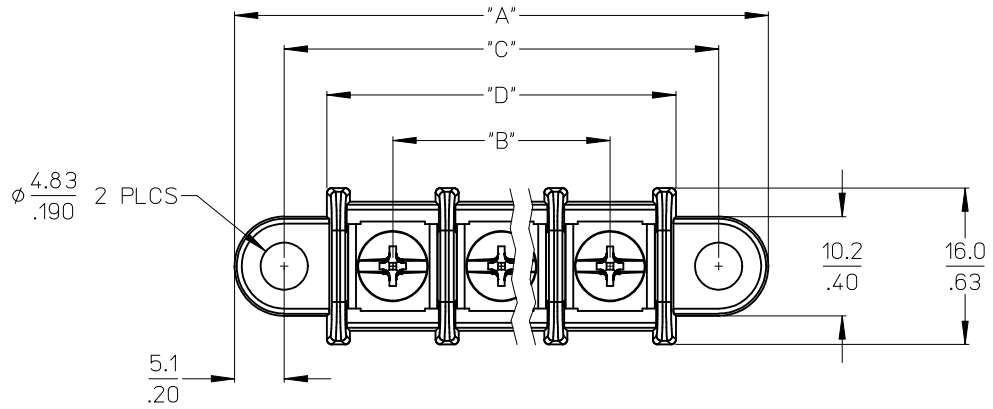
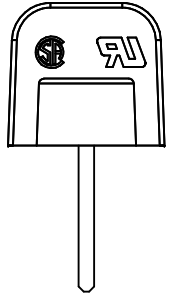


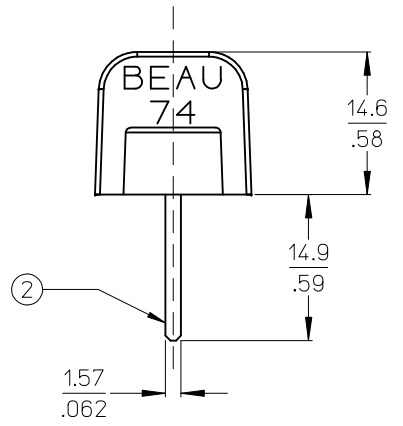
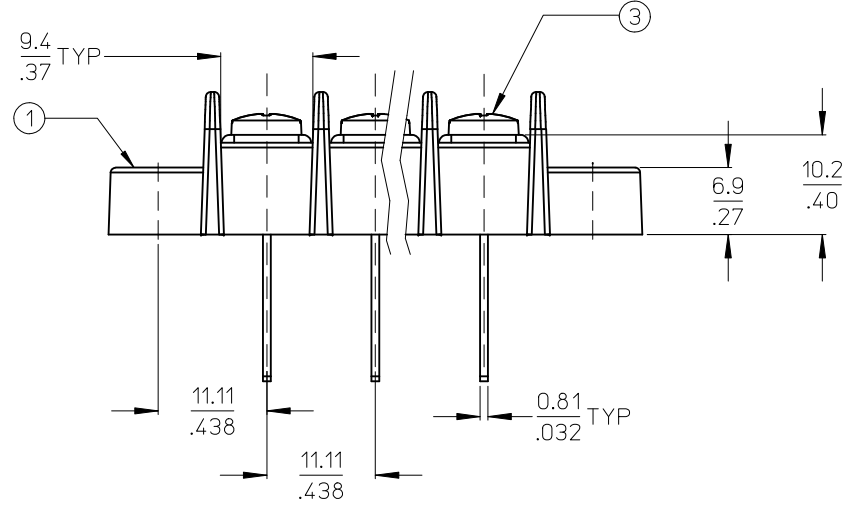
REF. -50 OPT. SCREW
(WHERE APPLICABLE)



REF. -49 OPT. SCREW
(WHERE APPLICABLE)



3 CIRCUITS SHOWN
AS REFERENCE



NOTES:

- 1. MATERIAL: SEE TABLE
- 2. FINISHES: SEE TABLE
- 3. PRODUCT SPECIFICATION: NOT REQUIRED
- 4. "XX" REFERS TO THE QTY. OF CIRCUITS
- 5. ROHS COMPLIANT

| | | | | |
|------|------|------------------------------------|-----------------|--------------------|
| 5 | XX | SCREW #6-32X.250 PAN PHSL -50 OPT. | STEEL | ZN, CLEAR CHROMATE |
| 4 | XX | SCREW #6-32X.250 BHD PHSL -49 OPT. | BRASS | NICKEL PLATE |
| 3 | XX | SCREW #6-32X.250 BHD PHSL (STD) | STEEL | ZN, CLEAR CHROMATE |
| 2 | XX | TERM WW 6C SN/B | BRASS | TIN PLATE |
| 1 | 1 | SR BTS CB MOMTG | POLYESTER (PBT) | BLACK |
| ITEM | QTY. | DESCRIPTION | MATERIAL | FINISH |

INITIAL RELEASE
EC NO: WNA2011-0003
DRWN: JENC INAS 2010/07/16
CHKD: 2010/08/16
APPR: JMACNEIL 2010/08/18

QUALITY SYMBOLS
▽=0
▽=0

GENERAL TOLERANCES (UNLESS SPECIFIED)

| | | |
|----------|--------|--------|
| | mm | INCH |
| 4 PLACES | ± --- | ± --- |
| 3 PLACES | ± --- | ± .005 |
| 2 PLACES | ± 0.13 | ± .01 |
| 1 PLACE | ± 0.3 | ± --- |

ANGULAR ± 2 °

DRAFT WHERE APPLICABLE
MUST REMAIN
WITHIN DIMENSIONS

DIMENSION STYLE
MM/IN

DRAWN BY
AHIDALGO

DATE
2007/03/07

CHECKED BY
JENCINAS

DATE
2007/03/07

APPROVED BY
JMACNEIL

DATE
2007/03/07

MATERIAL NO.

SEE SHEET 2

SCALE
2:1

DESIGN UNITS
INCH

THIRD ANGLE PROJECTION

MOLEX

TITLE
11.1MM/.438 SR, BTS
ASSEMBLY LOW PROFILE
-49 -50

MOLEX INCORPORATED

DOCUMENT NO.
SD-38741-004

SHEET NO.
1 OF 2

THIS DRAWING CONTAINS INFORMATION THAT IS PROPRIETARY TO MOLEX INCORPORATED AND SHOULD NOT BE USED WITHOUT WRITTEN PERMISSION

| NO. OF CIRCUITS "XX" | DIM. "A" | | DIM. "B" | | DIM. "C" | | DIM. "D" | | ASSEMBLY MATERIAL No. STD. | ASSEMBLY MATERIAL No. -49 OPT. | ASSEMBLY MATERIAL No. -50 OPT. |
|----------------------------|----------|-------|-------------|---------------|-------------|---------------|----------|-------|----------------------------------|--------------------------------------|--------------------------------------|
| | MM | INCH | MM ±0.30 | INCH ±.010 | MM ±0.30 | INCH ±.010 | MM | INCH | | | |
| 2 | 43.4 | 1.71 | 11.13 | 0.438 | 33.35 | 1.313 | 24.6 | 0.97 | 387412102 | 387412702 | 387413302 |
| 3 | 54.5 | 2.15 | 22.26 | 0.876 | 44.48 | 1.751 | 35.8 | 1.41 | 387412103 | 387412703 | 387413303 |
| 4 | 65.7 | 2.59 | 33.39 | 1.314 | 55.61 | 2.189 | 46.9 | 1.85 | 387412104 | 387412704 | 387413304 |
| 5 | 76.8 | 3.02 | 44.52 | 1.752 | 66.74 | 2.627 | 58.0 | 2.28 | 387412105 | 387412705 | 387413305 |
| 6 | 87.9 | 3.46 | 55.65 | 2.190 | 77.87 | 3.065 | 69.2 | 2.72 | 387412106 | 387412706 | 387413306 |
| 7 | 99.1 | 3.90 | 66.78 | 2.628 | 89.00 | 3.503 | 80.3 | 3.16 | 387412107 | 387412707 | 387413307 |
| 8 | 110.2 | 4.34 | 77.91 | 3.066 | 100.13 | 3.941 | 91.4 | 3.60 | 387412108 | 387412708 | 387413308 |
| 9 | 121.3 | 4.78 | 89.04 | 3.504 | 111.26 | 4.379 | 102.6 | 4.04 | 387412109 | 387412709 | 387413309 |
| 10 | 132.4 | 5.21 | 100.17 | 3.942 | 122.39 | 4.817 | 113.7 | 4.47 | 387412110 | 387412710 | 387413310 |
| 11 | 143.6 | 5.65 | 111.30 | 4.380 | 133.52 | 5.255 | 124.8 | 4.91 | 387412111 | 387412711 | 387413311 |
| 12 | 154.7 | 6.09 | 122.43 | 4.818 | 144.65 | 5.693 | 135.9 | 5.35 | 387412112 | 387412712 | 387413312 |
| 13 | 165.8 | 6.53 | 133.56 | 5.256 | 155.78 | 6.131 | 147.1 | 5.79 | 387412113 | 387412713 | 387413313 |
| 14 | 177.0 | 6.97 | 144.69 | 5.694 | 166.91 | 6.569 | 158.2 | 6.23 | 387412114 | 387412714 | 387413314 |
| 15 | 188.1 | 7.40 | 155.82 | 6.132 | 178.04 | 7.007 | 169.3 | 6.66 | 387412115 | 387412715 | 387413315 |
| 16 | 199.2 | 7.84 | 166.95 | 6.570 | 189.17 | 7.445 | 180.5 | 7.10 | 387412116 | 387412716 | 387413316 |
| 17 | 210.4 | 8.28 | 178.08 | 7.008 | 200.30 | 7.883 | 191.6 | 7.54 | 387412117 | 387412717 | 387413317 |
| 18 | 221.5 | 8.72 | 189.21 | 7.446 | 211.43 | 8.321 | 202.7 | 7.98 | 387412118 | 387412718 | 387413318 |
| 19 | 232.6 | 9.16 | 200.34 | 7.884 | 222.56 | 8.759 | 213.9 | 8.42 | 387412119 | 387412719 | 387413319 |
| 20 | 243.7 | 9.59 | 211.47 | 8.322 | 233.69 | 9.197 | 225.0 | 8.85 | 387412120 | 387412720 | 387413320 |
| 21 | 254.9 | 10.03 | 222.60 | 8.760 | 244.82 | 9.635 | 236.1 | 9.29 | 387412121 | 387412721 | 387413321 |
| 22 | 266.0 | 10.47 | 233.73 | 9.198 | 255.95 | 10.073 | 247.2 | 9.73 | 387412122 | 387412722 | 387413322 |
| 23 | 277.1 | 10.91 | 244.86 | 9.636 | 267.08 | 10.511 | 258.4 | 10.17 | 387412123 | 387412723 | 387413323 |
| 24 | 288.3 | 11.35 | 255.99 | 10.074 | 278.21 | 10.949 | 269.5 | 10.61 | 387412124 | 387412724 | 387413324 |
| 25 | 299.4 | 11.78 | 267.12 | 10.512 | 289.34 | 11.387 | 280.6 | 11.04 | 387412125 | 387412725 | 387413325 |
| 26 | 310.5 | 12.22 | 278.25 | 10.950 | 300.47 | 11.825 | 291.8 | 11.48 | 387412126 | 387412726 | 387413326 |
| 27 | 321.7 | 12.66 | 289.38 | 11.388 | 311.60 | 12.263 | 302.9 | 11.92 | 387412127 | 387412727 | 387413327 |
| 28 | 332.8 | 13.10 | 300.51 | 11.826 | 322.73 | 12.701 | 314.0 | 12.36 | 387412128 | 387412728 | 387413328 |
| 29 | 343.9 | 13.54 | 311.64 | 12.264 | 333.86 | 13.139 | 325.2 | 12.80 | 387412129 | 387412729 | 387413329 |
| 30 | 355.0 | 13.97 | 322.77 | 12.702 | 344.99 | 13.577 | 336.3 | 13.23 | 387412130 | 387412730 | 387413330 |

| | | | | | | | | |
|--|--|---|-------------------------|--------------------------|---|------------------------------|----------------------|------------------------|
| SEE SHEET ONE EC NO: WNA2011-0003 DRAWN: JENC INAS 2010/07/16 CHKD: JMACNEIL 2010/08/16 APPR: JMACNEIL 2010/08/16 A | QUALITY SYMBOLS ▽=0 ▽/∠=0 DESCRIPTION | GENERAL TOLERANCES (UNLESS SPECIFIED) | | DIMENSION STYLE MM/IN | | SCALE 2:1 | DESIGN UNITS INCH | THIRD ANGLE PROJECTION |
| | | 4 PLACES ± --- ± --- 3 PLACES ± --- ± .005 2 PLACES ± 0.13 ± .01 1 PLACE ± 0.3 ± --- ANGULAR ± 2° | DRAWN BY AHIDALGO | DATE 2007/03/07 | TITLE 11.1MM/.438 SR, BTS ASSEMBLY LOW PROFILE -49 -50 | | | |
| | | DRAFT WHERE APPLICABLE MUST REMAIN WITHIN DIMENSIONS | CHECKED BY JENC INAS | DATE 2007/03/07 | MOLEX INCORPORATED | | | |
| | | SEE CHART | APPROVED BY JMACNEIL | DATE 2007/03/07 | MATERIAL NO. | DOCUMENT NO. SD-38741-004 | SHEET NO. 2 OF 2 | |