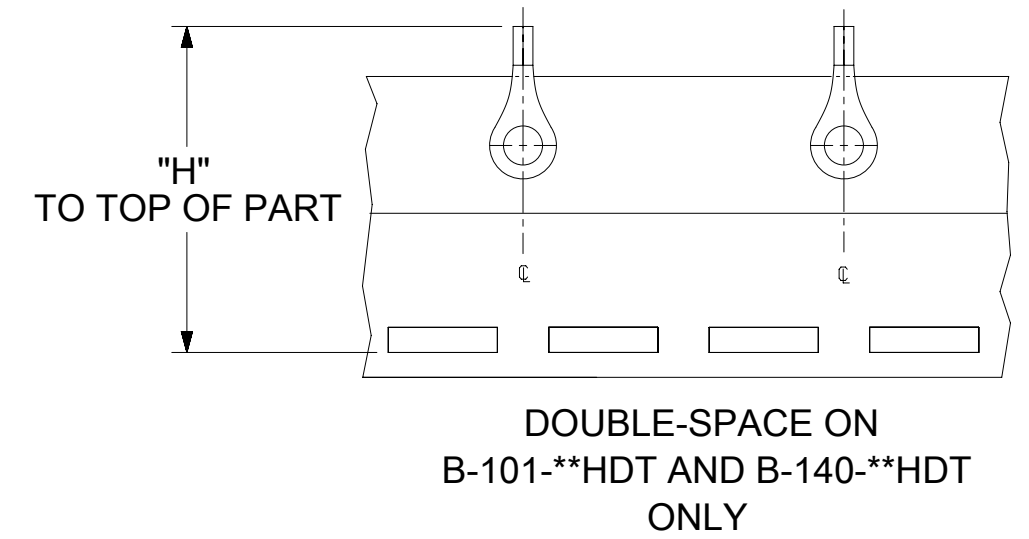
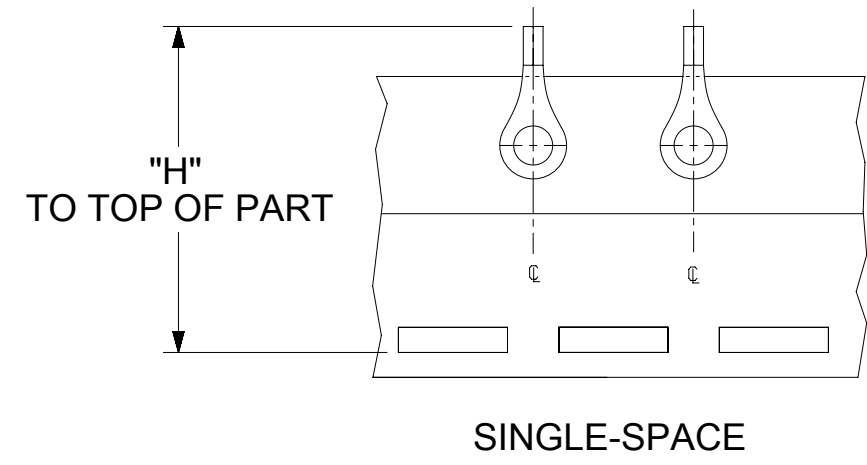
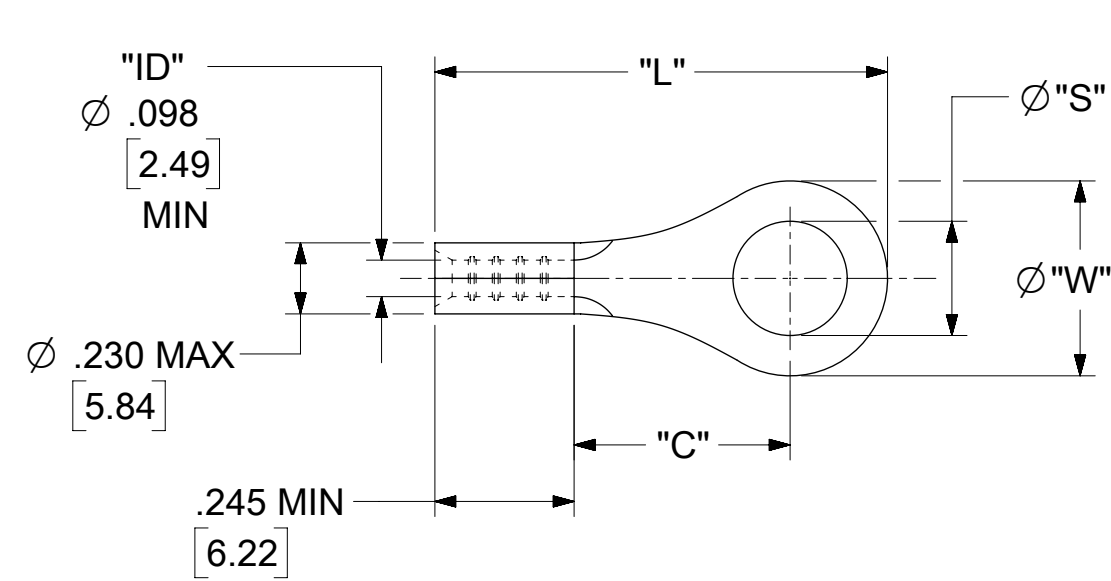


10	9	8	7	6	5	4	3	2	1
MATERIAL NO. LOOSE PIECE	ENG. NO.	MATERIAL NO. TAPE MOUNTED	ENG. NO. TAPE MOUNTED	STUD SIZE	"S" ±.003 (0.08)	"W" MAX	"C" MIN	"L" MAX	"H" ±.020 (0.51)
190440137	B-101-12HD	190440138	B-101-12HDT	12	.515 (13.10)	.760 (19.30)	.611 (15.52)	1.280 (32.51)	1.556 (39.52)
190440139	B-101-14HD	-----	-----	14	.265 (6.73)				
190440140	B-101-38HD	-----	-----	38	.390 (9.91)				
190440141	B-101-56HD	-----	-----	56	.328 (8.33)				
190440142	B-101-76HD	190440229	B-101-76HDT	76	.453 (11.51)	.385 (9.78)	.303 (7.70)	.785 (19.94)	
190440161	B-128-06HD	-----	-----	6	.146 (3.71)				
190440162	B-128-08HD	-----	-----	8	.173 (4.39)				
190440163	B-128-10HD	190440164	B-128-10HDT	10	.198 (5.03)				
190440166	B-130-10HD	190440022	B-130-10HDT	10	.198 (5.03)	.540 (13.72)	.393 (9.98)	.952 (24.18)	1.234 (31.34)
190440167	B-130-14HD	190440023	B-130-14HDT	14	.265 (6.73)				
190440168	B-130-56HD	190440024	B-130-56HDT	56	.328 (8.33)				
190440172	B-136-04HD	-----	-----	4	.119 (3.02)				
190440173	B-136-06HD	190440026	B-136-06HDT	6	.146 (3.71)	.292 (7.42)	.303 (7.70)	.741 (18.82)	
190440174	B-136-08HD	190440027	B-136-08HDT	8	.173 (4.39)				
190440180	B-140-10HD	-----	-----	10	.198 (5.03)				
190440182	B-140-14HD	190440183 A1	B-140-14HDT	14	.265 (6.73)				
190440184	B-140-38HD	190440185	B-140-38HDT	38	.390 (9.91)	.598 (15.19)	.475 (12.07)	1.056 (26.82)	1.426 (36.22)
190440186	B-140-56HD	190440187	B-140-56HDT	56	.328 (8.33)				



NOTE(S):
 1. MATERIAL: COPPER .050" (1.27 THK)
 2. PLATING: ELECTROPLATE TIN.
 WIRE SIZE: 16-14 AWG
 1.0 - 2.5 MM²

SYMBOLS	THIS DRAWING CONTAINS INFORMATION THAT IS PROPRIETARY TO MOLEX ELECTRONIC TECHNOLOGIES, LLC AND SHOULD NOT BE USED WITHOUT WRITTEN PERMISSION		
	DIMENSION UNITS	SCALE	CURRENT REV DESC: MIGR & UPDATE DIM
	IN/MM	NTS	
	GENERAL TOLERANCES (UNLESS SPECIFIED)		
▽ = 0			EC NO: 613281
▽ = 0			
▽ = 0			DRWN: DMYRICK 2019/03/05
▽ = 0			CHK'D: JMACNEIL 2019/03/08
▽ = 0			APPR: JMACNEIL 2019/03/08
▽ = 0			INITIAL REVISION:
▽ = 0			DRWN: DMYRICK 2004/05/07
▽ = 0			APPR: RDEROSS 2004/05/07
▽ = 0			ANGULAR TOL ± 0.5°
▽ = 0			DRAFT WHERE APPLICABLE MUST REMAIN WITHIN DIMENSIONS
▽ = 0			THIRD ANGLE PROJECTION
			DRAWING SERIES
			B-SIZE 19044
			MATERIAL NUMBER CUSTOMER
			SEE CHART GENERAL MARKET
			SHEET NUMBER
			1 OF 1