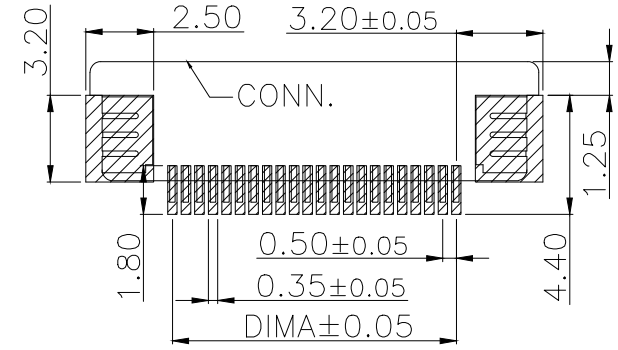


| Part No              | Pin   | A          | B               | C               | D     |
|----------------------|-------|------------|-----------------|-----------------|-------|
| FPC-0.5AX-4PWCR-H20  | 4     | 1.50       | 2.56            | 7.60            | 5.20  |
| FPC-0.5AX-5PWCR-H20  | 5     | 2.00       | 3.06            | 8.10            |       |
| FPC-0.5AX-6PWCR-H20  | 6     | 2.50       | 3.56            | 8.60            |       |
| FPC-0.5AX-7PWCR-H20  | 7     | 3.00       | 4.06            | 9.10            |       |
| FPC-0.5AX-8PWCR-H20  | 8     | 3.50       | 4.56            | 9.60            |       |
| FPC-0.5AX-9PWCR-H20  | 9     | 4.00       | 5.06            | 10.10           |       |
| FPC-0.5AX-10PWCR-H20 | 10    | 4.50       | 5.56            | 10.60           | 5.75  |
| FPC-0.5AX-11PWCR-H20 | 11    | 5.00       | 6.06            | 11.10           |       |
| FPC-0.5AX-12PWCR-H20 | 12    | 5.50       | 6.56            | 11.60           |       |
| .....                | ..... | .....      | .....           | .....           |       |
| FPC-0.5AX-34PWCR-H20 | 34    | 16.50      | 17.56           | 22.60           |       |
| FPC-0.5AX-35PWCR-H20 | 35    | 17.00      | 18.06           | 23.10           |       |
| FPC-0.5AX-36PWCR-H20 | 36    | 17.50      | 18.56           | 23.60           | ..... |
| .....                | ..... | .....      | .....           | .....           |       |
| FPC-0.5AX-60PWCR-H20 | 60    | (60-1)*0.5 | (60+1)*0.5+0.06 | (60+11)*0.5+0.1 |       |



| 序号 | 品名              | 材质             |
|----|-----------------|----------------|
| 1  | 0.5拉拔胶芯(H2.0)   | LCP UL94V-0 本色 |
| 2  | 0.5拉拔下端子(H2.0)  | 铜合金/表面镀锡       |
| 3  | 0.5拉拔卧式后盖(H2.0) | LCP UL94V-0 黑色 |
| 4  | 0.5拉拔焊片(H2.0)   | 铜合金/表面镀锡       |

适用扁平线(Applicable Flat Cable)

技术指标:

1. 塑件表面应光洁、无毛边、无明显收缩、缺陷、裂纹等现象。
2. 温度范围: -25°C~+85°C.
3. 额定电压: 50V, AC/DC.
4. 接触电阻: ≤0.03Ω.
5. 绝缘电阻: ≥500MΩ

|                                       |           |           |   |                     |
|---------------------------------------|-----------|-----------|---|---------------------|
| MANUFACTURE DWG                       |           |           | 东莞市讯普电子科技有限公司<br>DongGuan XunPu Electronics Co.,Ltd |                     |
| UNLESS OTHERWISE SPECIFIED TOLERANCES |           |           | TITLE: 0.5 Pitch H2.0 ZIF R/A Type 3 Unper CONN.    |                     |
| DECIMALS:                             | ANGLES:   |           | PAR   | FPC-0.5AX-NPWCR-H20 |
| .X:±0.30                              | .X':±5°   |           | DWN   |                     |
| .XX:±0.20                             | .XX':±2°  | CHKD      |   |                     |
| .XXX:±0.05                            | .XXX':±1° | APVD      |   |                     |
| CUSTOMER COPY                         |           | SCALE:1:1 | UNIT:MM   |                     |
|                                       |           | SIZE:A4   | SHEET:1F1   | REV:A               |