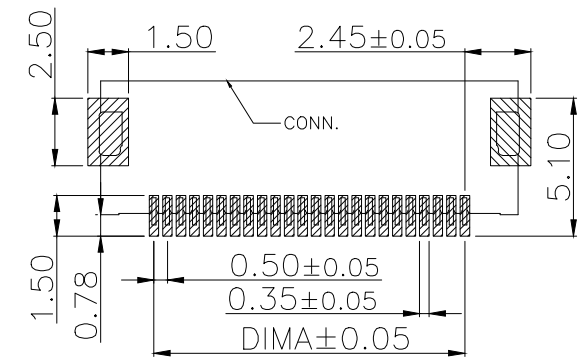
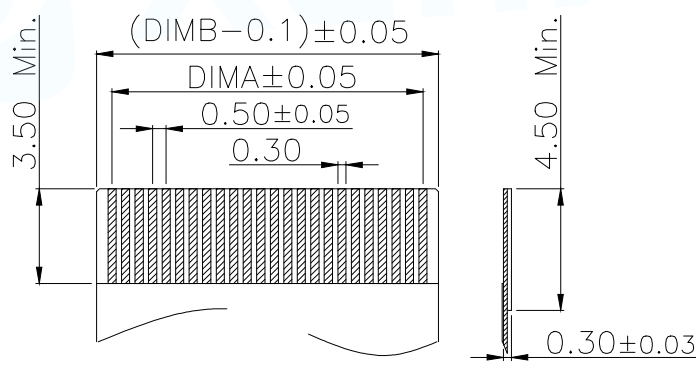
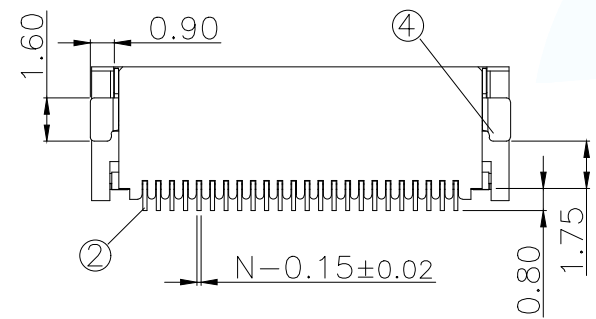
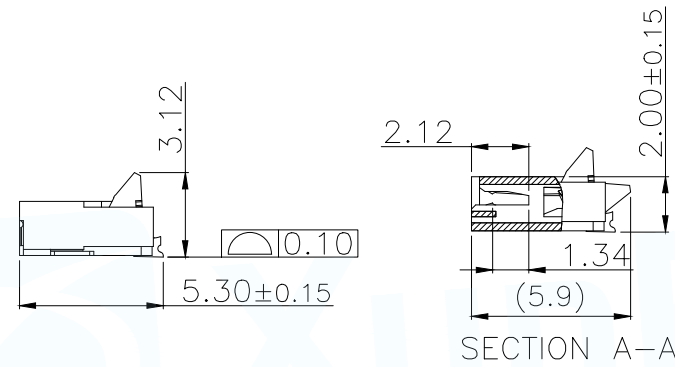
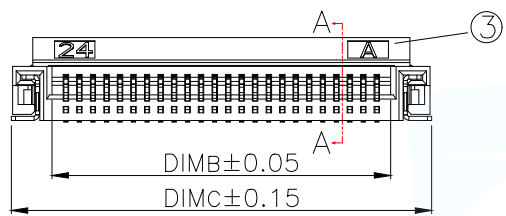


Part No	Pin	A	B	C
FPC-0.5HF-4PWBT-H20	4	1.50	2.52	5.54
FPC-0.5HF-5PWBT-H20	5	2.00	3.02	6.04
FPC-0.5HF-6PWBT-H20	6	2.50	3.52	6.54
FPC-0.5HF-7PWBT-H20	7	3.00	4.02	7.04
FPC-0.5HF-8PWBT-H20	8	3.50	4.52	7.54
FPC-0.5HF-9PWBT-H20	9	4.00	5.02	8.04
FPC-0.5HF-10PWBT-H20	10	4.50	5.52	8.54
FPC-0.5HF-11PWBT-H20	11	5.00	6.02	9.04
FPC-0.5HF-12PWBT-H20	12	5.50	6.52	9.54
.....
FPC-0.5HF-60PWBT-H20	60	(60-1)*0.5	(60+8)*0.5+0.02	(60+7)*0.5+0.04
FPC-0.5HF-80PWBT-H20	80	(60-1)*0.5	(60+8)*0.5+0.02	(60+7)*0.5+0.04



序号	品名	材质
1	0.5后翻芯(H=2.0)	LCP UL94V-0 本色
2	0.5后翻端子(H=2.0)	铜合金/表面点镀金
3	0.5后翻后盖(H2.0)	LCP UL94V-0 黑色
4	0.5后翻焊片(H2.0)	铜合金/表面镀锡

适用扁平线(Applicable Flat Cable)

技术指标:

1. 塑件表面应光洁,无毛边、无明显收缩、缺陷、裂纹等现象.
2. 温度范围: -25°C~+85°C.
3. 额定电压: 50V, AC/DC.
4. 接触电阻: ≤0.03Ω.
5. 绝缘电阻: ≥500MΩ

适用线路板(PCB LAYOUT)

MANUFACTURE DWG		东莞市讯普电子科技有限公司 DongGuan XunPu Electronics Co., Ltd	
UNLESS OTHERWISE SPECIFIED TOLERANCES			TITLE: 0.5 Pitch H2.0 Backflip R/A Type CONN
DECIMALS:	ANGLES:		PAR FPC-0.5HF-NPWBT-H20
.X:±0.30	.X':±5°		DWN
.XX:±0.20	.XX':±2°		CHKD
.XXX:±0.05	.XXX':±1°	APVD	SCALE:1:1 UNIT:MM
CUSTOMER COPY		SIZE:A4	SHEET:1F1
			REV:A