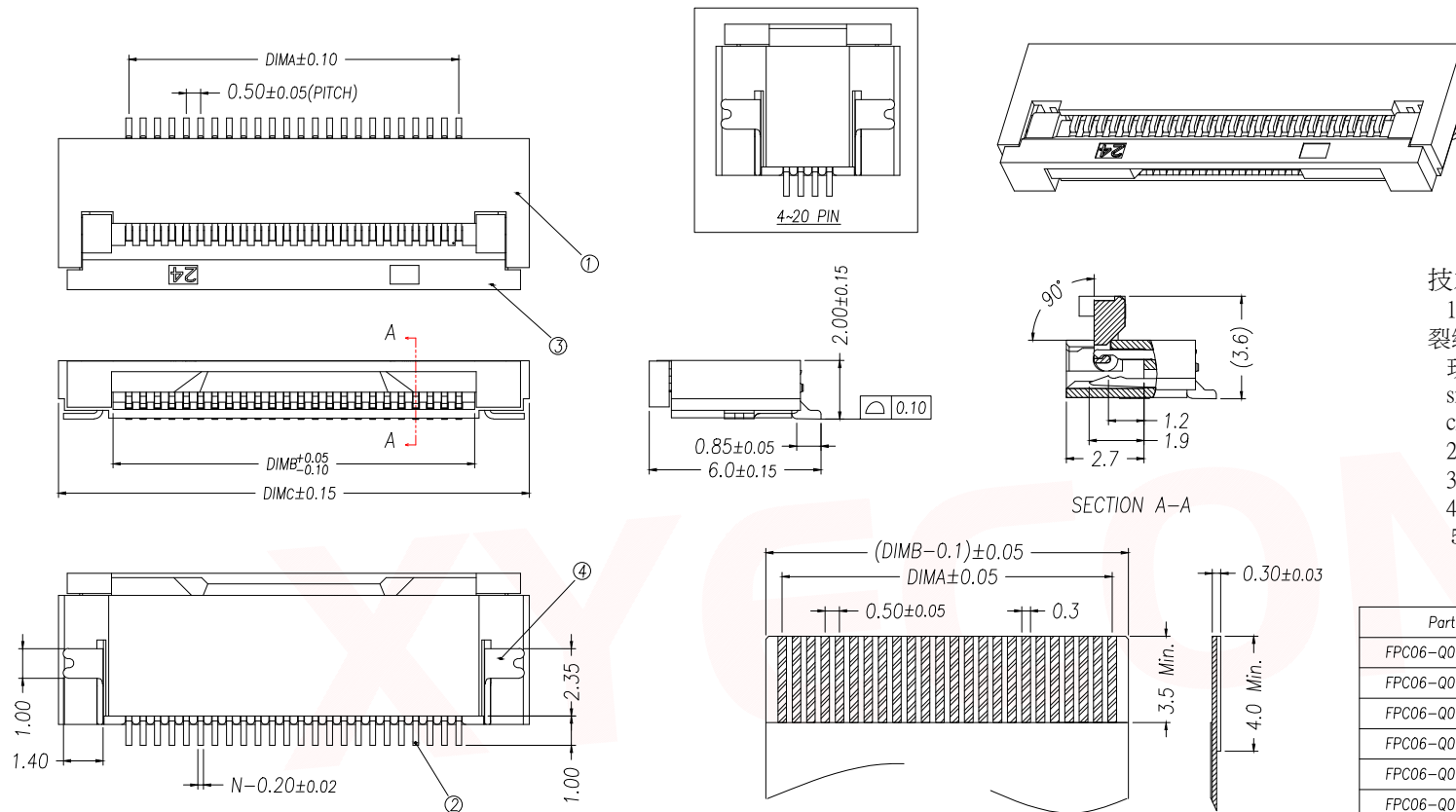


REV.	Q'TY	ECN. NO.	APR.	DATE

序号	品名	材质
1	0.5前翻卧式下接胶芯(H2.0)	LCP UL94V-0 本色
2	0.5前翻卧式下接端子(H2.0)	铜合金/表面镀锡
3	0.5前翻卧式下接后盖(H2.0)	LCP UL94V-0 黑色
4	0.5前翻卧式下接焊片(H2.0)	铜合金/表面镀锡

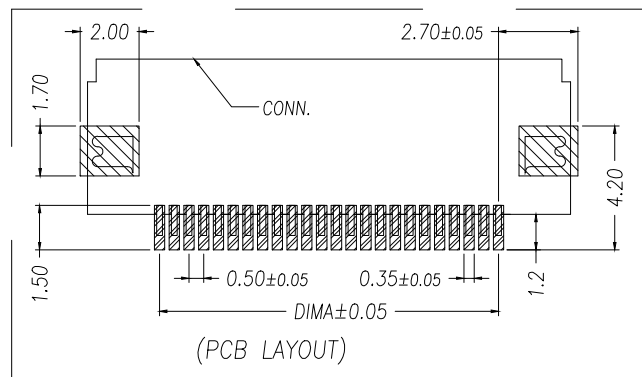


技术指标(Technical Index):

1. 塑件表面应光洁、无毛边、无明显收缩、缺陷、裂纹等现象。(The surface of the plastic parts should be smooth, no rough edges, no obvious shrinkage, defects, cracks and other phenomena.)
2. 温度范围(Temperature range): -25°C ~ 85°C.
3. 额定电压(Rated voltage): 50V, AC/DC(=等效).
4. 接触电阻(Contact resistance): ≤ 0.03Ω.
5. 绝缘电阻(Insulation resistance): ≥ 500MΩ.

适用扁平线(Applicable Flat Cable)

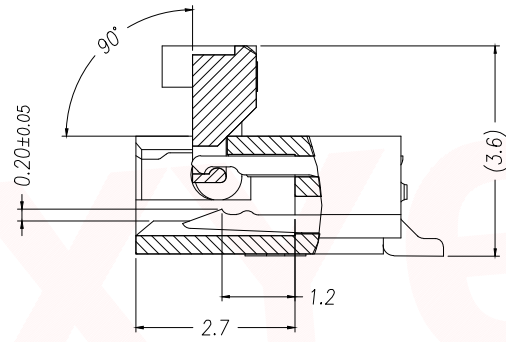
Part No	Pin	DIMA	DIMB	DIMC
FPC06-Q0.5-4AH2.0	4	1.50	2.60	6.40
FPC06-Q0.5-5AH2.0	5	2.00	3.10	6.90
FPC06-Q0.5-6AH2.0	6	2.50	3.60	7.40
FPC06-Q0.5-7AH2.0	7	3.00	4.10	7.90
FPC06-Q0.5-8AH2.0	8	3.50	4.60	8.40
FPC06-Q0.5-9AH2.0	9	4.00	5.10	8.90
FPC06-Q0.5-10AH2.0	10	4.50	5.60	9.40
FPC06-Q0.5-11AH2.0	11	5.00	6.10	9.90
FPC06-Q0.5-12AH2.0	12	5.50	6.60	10.40
.....
FPC06-Q0.5-65AH2.0	65	(65-1)*0.5	(65+1)*0.5+0.10	(65+9)*0.5-0.1



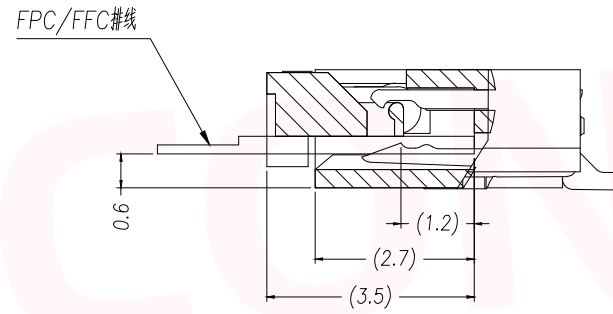
DIMENSION IN mm		厦门市辛译精密电子有限公司 Xiamen XinYi Xyecom Electronics Co.,Ltd			
TOLERANCE UNLESS OTHERWISE SPECIFIED		APR.	Alex	TITLE: 0.5 Pitch 前翻卧式下接 H2.0	
.X ± 0.35	X.* ± 5°	CHK.	Jack	DWG NO. FPC06-Q0.5-NAH2.0	
.XX ± 0.25	.X* ± 3°	DRA.	Can	PROJ. CUSTOMER DRAWING	
.XXX ± 0.15	.XX* ± 1°	SIZE	A4	SCALE	1:1
		SHEET	1/2	REV.	A

REV.	Q'TY	ECN. NO.	APR.	DATE

序号	品名	材质
1	0.5前翻卧式下接胶芯 (H2.0)	LCP UL94V-0 本色
2	0.5前翻卧式下接端子 (H2.0)	铜合金/表面镀锡
3	0.5前翻卧式下接后盖 (H2.0)	LCP UL94V-0 黑色
4	0.5前翻卧式下接焊片 (H2.0)	铜合金/表面镀锡



SECTION A-A
SCALE 2:1



DIMENSION IN mm		厦门市辛译精密电子有限公司 Xiamen XinYi Xyecomm Electronics Co.,Ltd		
TOLERANCE UNLESS OTHERWISE SPECIFIED				
.X±0.35	X.*± 5°	APR. Alex	TITLE: 0.5 Pitch 前翻卧式下接 H2.0	
.XX±0.25	.X.*± 3°	CHK. Jack	DWG NO. FPC06-Q0.5-NAH2.0	
.XXX±0.15	.XX.*± 1°	DRA. Can	PROJ.	CUSTOMER DRAWING
SIZE A4	SCALE 1:1	SHEET 2/2	REV. A	