

SF2006CT,SF2006FCT
SUPER FAST RECOVERY RECTIFIERS



VOLTAGE: 600 Volts

CURRENT: 20 Amperes

Marking and Polarity

FEATURES

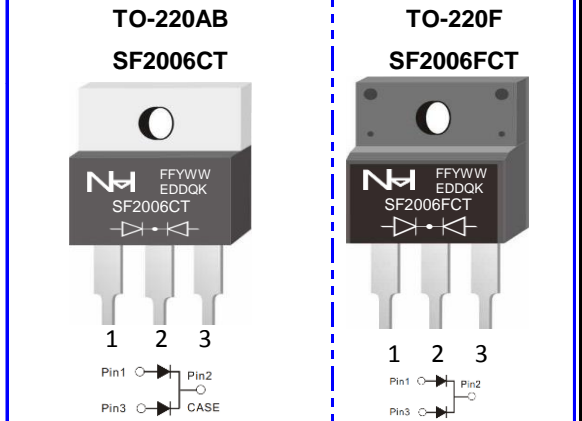
- Glass passivated chip junction
- Super fast reverse recovery time
- Low Forward Voltage Drop for high efficiency
- Low leakage current for high reliability
- High forward surge capability for high reliability

MECHANICAL DATA

- **Case:** JEDEC TO-220AB、 TO-220F
- Molding compound meets UL94V-0 flammability rating
- **Terminals:** Lead solderable per J-STD-002 and JESD22-B102
- **Polarity:** As marked

TYPICAL APPLICATIONS

- For use in high frequency inverters ,AC/DC converters, DC/DC converters,LED driver etc. applications



Remark:

- ①. NH=niuhang trademark
- ②. FF=Product line code,According to actual changes
YWW=Data code,According to actual changes
EDDQK=Internal code,According to actual changes
- ③. SF2006CT/SF2006FCT=Model

Single phase,half wave,60Hz,resistive or inductive load.For capacitive load,derate current by 20%

Maximum Ratings (Ratings at 25°C ambient temperature unless otherwise specified)

Parameter	Symbol	SF2006CT,SF2006FCT	Unit
Maximum Repetitive Peak Reverse Voltage	V_{RRM}	600	V
Maximum RMS Voltag	V_{RMS}	420	V
Maximum DC Blocking Voltage	V_{DC}	600	V
Maximum Average Forward Rectified Current @ TC=100°C (see fig.1)	$I_{F(AV)}$	20	A
Peak Forward Surge Current 8.3ms Single Half Sine-wave Superimposed On Rate Load per Diode(JEDEC Method)	I_{FSM}	200	A
Current Squared Time Per Diode($t < 8.3ms$)	I^2t	166	A ² sec

Electrical Characteristcs (Ratings at 25°C ambient temperature unless otherwise specified)

Parameter	Test Conditions	Symbol	SF2006CT,SF2006FCT			Unit
			Min.	Typ.	Max.	
Maximum Forward Voltage Per Diode (Note 1)	Ta=25°C IF= 10 A	V_{FM}	--	1.5	1.7	V
Maximum DC Reverse Current at Rated DC Blocking Voltage (Note 1)	Ta=25°C VR= V_{RRM} Ta=125°C VR= 80%* V_{RRM}	I_{RRM}	--	1	5	uA
Maximum Reverse Recovery Time	IF=0.5A, IR=1.0A, IRR=0.25A	T_{RR}	--	35	50	nS
Typical Junction Capacitance Per Diode	4V,1MHz	C_J	--	50	--	pF

Thermal Characteristics (Ratings at 25°C ambient temperature unless otherwise specified)

Parameter	Symbol	SF2006CT,SF2006FCT		Unit
Operating Junction Temperature Range	T_J	-55	to 150	°C
Storage Temperature Range	T_{STD}	-55	to 150	°C
Typical thermal resistance (Note 2)	$R_{\theta JC}$	TO-220AB	TO-220F	°C/W
		2.5	4.5	

- No
1. Pulse test: 300 μs pulse width,1% duty cycle
 2. Device mounted on Device mounted on 75mm x 45mm x 2.5mm Aluminum Plate Heatsink.

SF2006CT,SF2006FCT
SUPER FAST RECOVERY RECTIFIERS



RATING AND CHARACTERISTIC CURVES

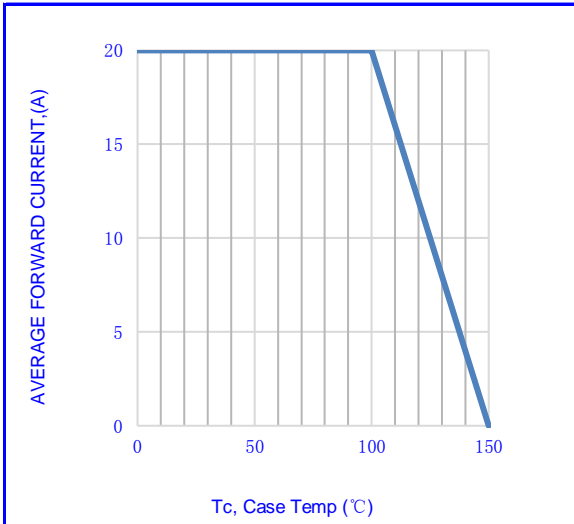


Fig.1-FORWARD CURRENT DERATING CURVE

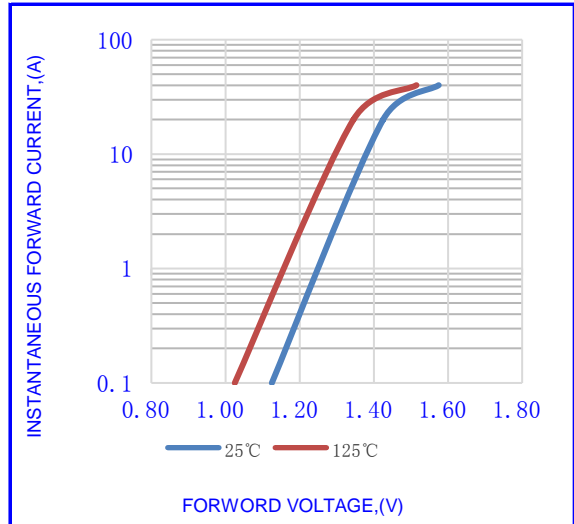


Fig.2- TYPICAL INSTANTANEOUS FORWARD

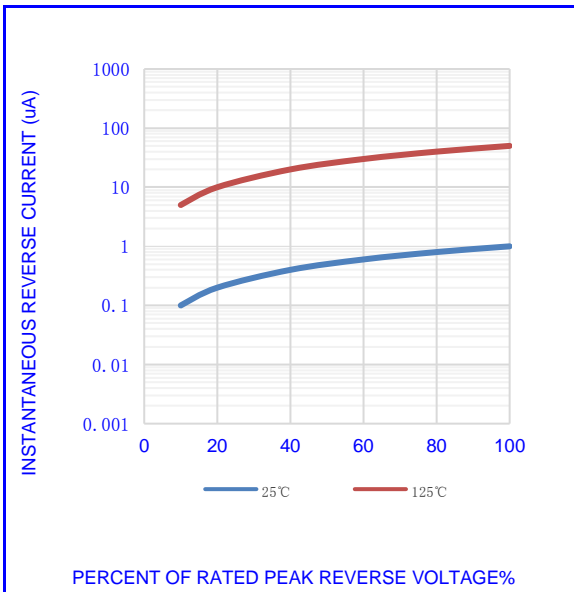


Fig.3- TYPICAL REVERSE CHARACTERISTICS

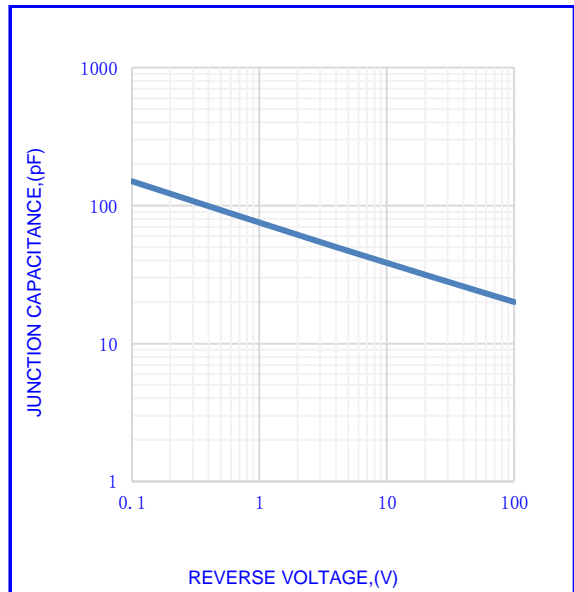


Fig.4- TYPICAL JUNCTION CAPACITANCE

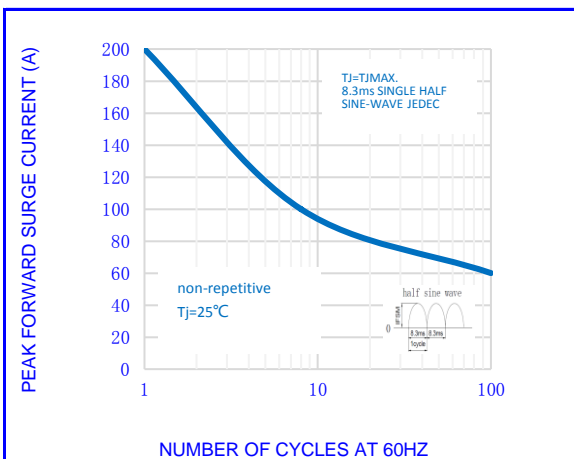


Fig.5-MAX. NON-REPETITIVE SURGE CURRENT

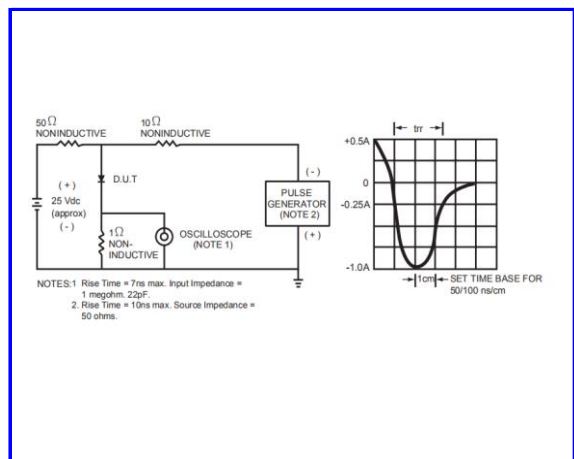


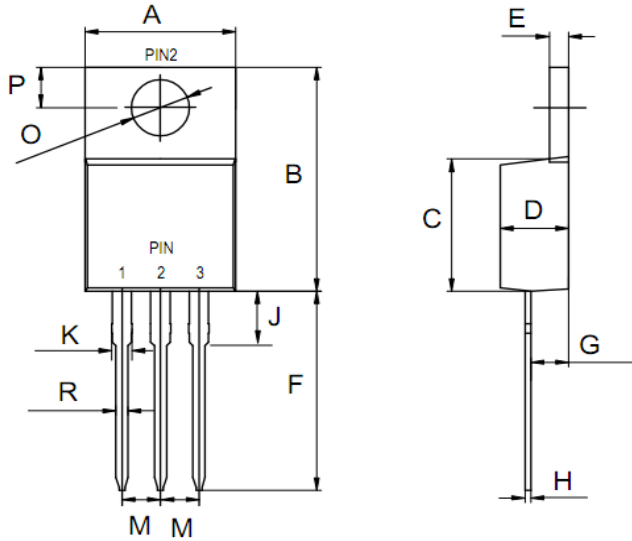
Fig.6- TEST CIRCUIT DIAGRAM AND REVERSE RECOVERY TIME CHARACTERISTIC

SF2006CT,SF2006FCT
SUPER FAST RECOVERY RECTIFIERS



OUTLINE DRAWINGS

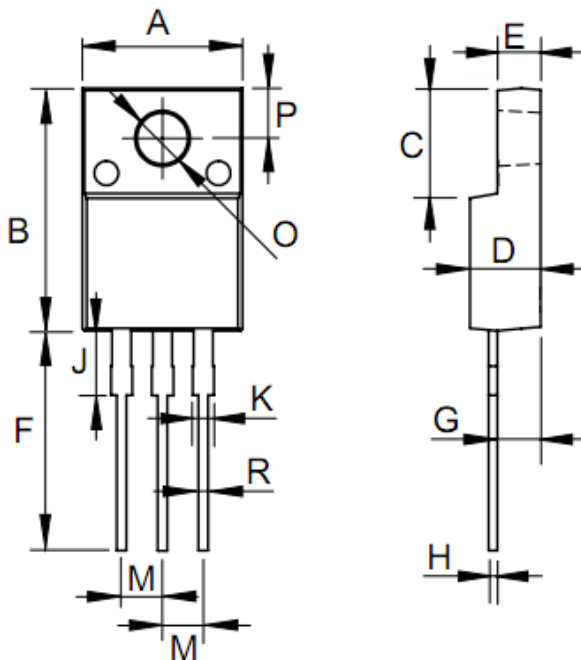
TO-220AB



Dim.	OUTLINE DIMENSIONS					
	Millimeters			Inches		
	Min.	Typ.	Max.	Min.	Typ.	Max.
A	9.80	-	10.40	0.3858	-	0.4094
B	14.95	-	15.35	0.5886	-	0.6043
C	8.40	-	9.40	0.3307	-	0.3701
D	4.20	-	4.70	0.1654	-	0.1850
E	1.15	-	1.45	0.0453	-	0.0571
F	12.50	-	-	0.4921	-	-
G	2.30	-	2.70	0.0906	-	0.1063
H	0.30	-	0.45	0.0118	-	0.0177
J	3.00	-	4.50	0.1181	-	0.1772
M	2.44	-	2.64	0.0961	-	0.1039
R	0.70	-	1.00	0.0276	-	0.0394
O	3.45	-	3.85	0.1358	-	0.1516
P	2.80	-	3.20	0.1102	-	0.1260

RECOMMENDED LAYOUT DRAWINGS

TO-220F



Dim.	RECOMMENDED LAYOUT DIMENSIONS					
	Millimeters			Inches		
	Min.	Typ.	Max.	Min.	Typ.	Max.
A	9.60	-	10.40	0.3780	-	0.4094
B	14.60	-	15.40	0.5748	-	0.6063
C	6.10	-	6.90	0.2402	-	0.2717
D	4.20	-	4.60	0.1654	-	0.1811
E	2.50	-	2.90	0.0984	-	0.1142
F	13.20	-	14.00	0.5197	-	0.5512
G	2.50	-	2.90	0.0984	-	0.1142
H	0.50	-	0.70	0.0197	-	0.0276
J	3.60	-	4.40	0.1417	-	0.1732
K	1.25	-	1.45	0.0492	-	0.0571
M	2.35	-	2.75	0.0925	-	0.1083
R	0.50	-	0.70	0.0197	-	0.0276
O	3.10	-	3.40	0.1220	-	0.1339
P	2.80	-	3.60	0.1102	-	0.1417

PACKING INFORMATION

Package Code	Package Method	Tube Size LxWxH(mm)	Quantity (pcs/Tube)	Inner Box Size LxWxH(mm)	Quantity (pcs/Inner Box)	Outer Carton Size LxWxH(mm)	Quantity (pcs/carton)
TO-220AB	Tube	530x35x8	50	560x155x55	1000	570x284x185	5000
TO-220F	Tube	530x35x8	50	560x155x55	1000	570x284x185	5000

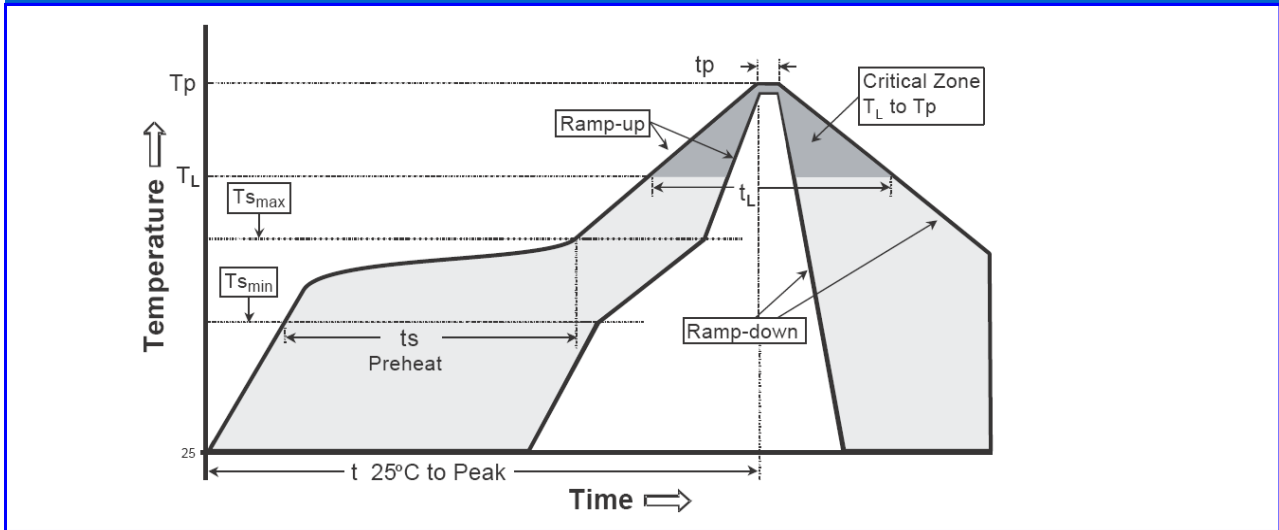
SF2006CT,SF2006FCT
SUPER FAST RECOVERY RECTIFIERS



Recommended wave soldering condition

Product	Peak Temperature	Soldering Time
Pb-free devices	260 +0/-5 °C	5 +1/-1 seconds

Recommended temperature profile for IR reflow



Profile feature	Sn-Pb eutectic Assembly	Pb-free Assembly
Average ramp-up rate (Tsmmax to Tp)	3°C/second max.	3°C/second max.
Preheat -Temperature Min(TS min) -Temperature Max(TS max) -Time(ts min to ts max)	100°C 150°C 60-120 seconds	150°C 200°C 60-180 seconds
Time maintained above: -Temperature (TL) - Time (tL)	183°C 60-150 seconds	217°C 60-150 seconds
Peak Temperature(TP)	240 +0/-5 °C	260 +0/-5 °C
Time within 5°C of actual peak temperature(tp)	10-30 seconds	20-40 seconds
Ramp down rate	6°C/second max.	6°C/second max.
Time 25 °C to peak temperature	6 minutes max.	8 minutes max.

Note : All temperatures refer to topside of the package, measured on the package body surface.

SF2006CT,SF2006FCT
SUPER FAST RECOVERY RECTIFIERS



Disclaimer

- Reproducing and modifying information of the document is prohibited without permission from Niuhang Electronics co., LTD
- Niuhang Electronics co., LTD. reserves the rights to make changes of the content herein the document anytime without notification.
- Niuhang Electronics co., LTD. disclaims any and all liability arising out of the application or use of any product including damages incidentally and consequentially occurred.
- Niuhang Electronics co., LTD. does not assume any and all implied warranties, including warranties of fitness for particular purpose, non-infringement and merchantability.
- Applications shown on the herein document are examples of standard use and operation. Customers are responsible in comprehending the suitable use in particular applications. Niuhang Electronics co., LTD. makes no representation or warranty that such applications will be suitable for the specified use without further testing or modification.
- The products shown herein are not designed and authorized for equipments requiring high level of reliability or relating to human life and for any applications concerning life-saving or life-sustaining, such as medical instruments, transportation equipment, aerospace machinery et cetera. Customers using or selling these products for use in such applications do so at their own risk and agree to fully indemnify Niuhang Electronics co., LTD. for any damages resulting from such improper use or sale.
- When the appearance of the product and chip size does not change, in order to product the customer quality, change the internal structure and the production process Niuhang can not notify