

UMAX7812401
SFP+ CAGE

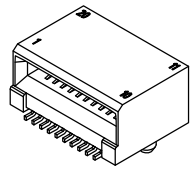
MATERIAL (RoHS COMPLIANCE):

CAGE:
COPPER ALLOY

PLATING OPTION :
100μ" [2.54 μm] MIN. NICKEL
PLATING (NOT FOR SOLDER PINS).

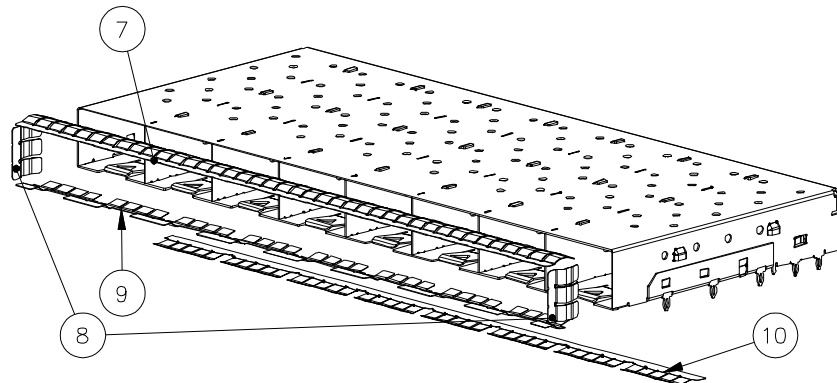
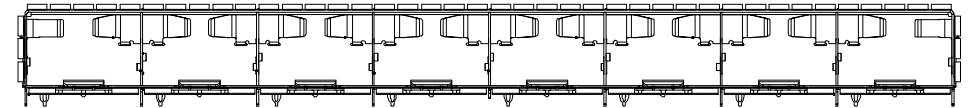
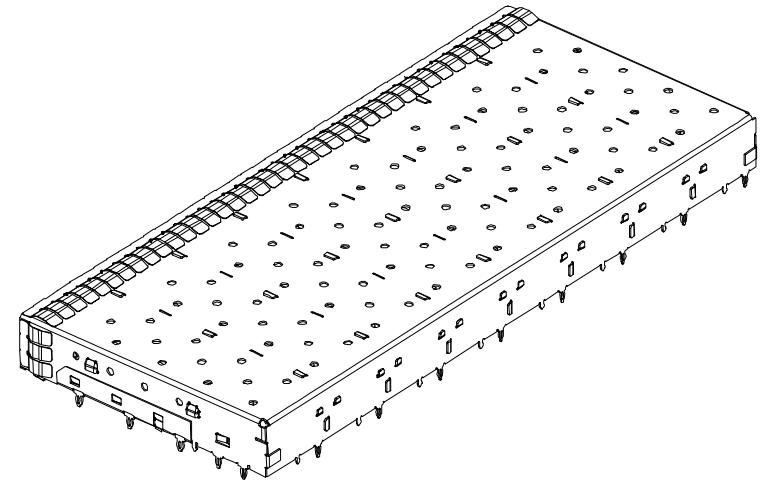
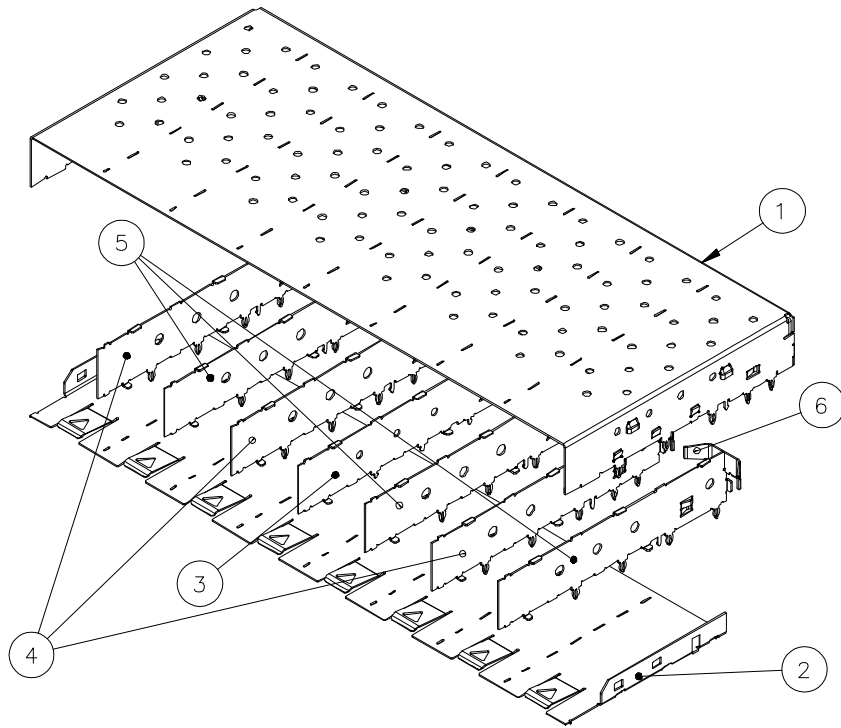
PACKAGING:
TRAY PACKAGING.

TEMPERATURE RANGE:
-40°C TO +85°C



M42F-08P-020-P002G
SFP+ CONNECTOR

TOLERANCE		UMax conn 东莞市友贸实业有限公司 DONGGUAN UMAX ENTERPRISE LIMITED	TITLE: SFP+ CAGE 1x8 NICKEL PLATING Through Hole - Press-Fit						
LINEAR	ANGLES		PART NO. UMAX7812401						
X±0.40	X°± 3°	APPD: Jason	MAT'L:			DWG NO. C-UMAX7D10119			
.X±0.30	.X°±	CHKD: Schumi	FINISH:						
.XX±0.20	.XX°±	DRWN: Lei Songping	Q'TY:						
REV	ECN NO.	NAME	DATE	.XXX±0.10	.XXX°±	UNITS: MM	SCALE: 1:2	SHEET: 1 OF 3	REV: 0



10	1	BOTTOM GROUND TABS
9	1	BOTTOM EM SPRING
8	2	SIDE EMI SPRING
7	1	TOP EM SPRING
6	7	KICK-OUT SPRING
5	3	RIGHT & LEFT WALL
4	3	LEFT & RIGHT WALL
3	1	MIDDLE WALL
2	1	BOTTOM CAGE
1	1	TOP CAGE
ITEM No.	QTY	DESCRIPTION

TOLERANCE	
LINEAR	ANGLES
X±0.40	X°± 3°
.X±0.30	.X°±
.XX±0.20	.XX°±
.XXX±0.10	.XXX°±

UMax conn 东莞市友贸实业有限公司
DONGGUAN UMAX ENTERPRISE LIMITED

TITLE: SFP+ CAGE 1x8
NICKEL PLATING
Through Hole - Press-Fit

PART NO. UMAX7812401

DWG NO. C-UMAX7D10119

APPD: Jason

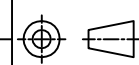
MAT'L:

CHKD: Schumi

FINISH:

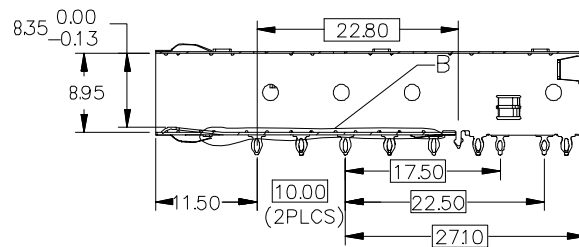
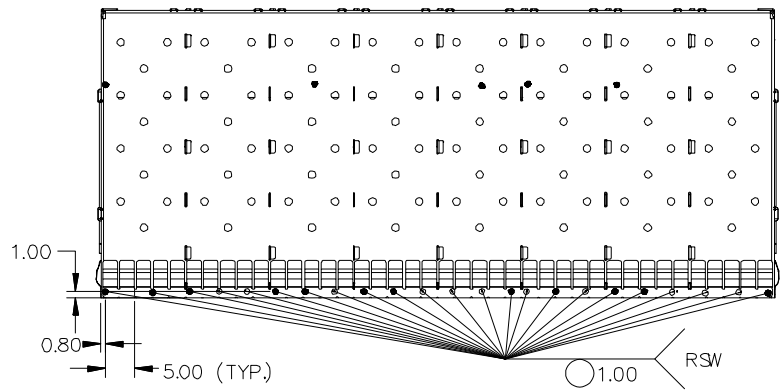
DRWN: Lei Songping

Q'TY:

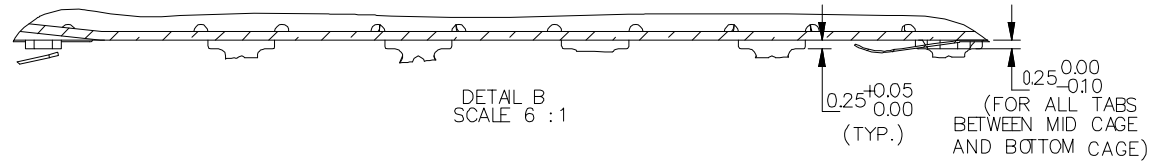


UNITS	SCALE	SHEET	REV
MM	1 : 2	2 OF 3	0

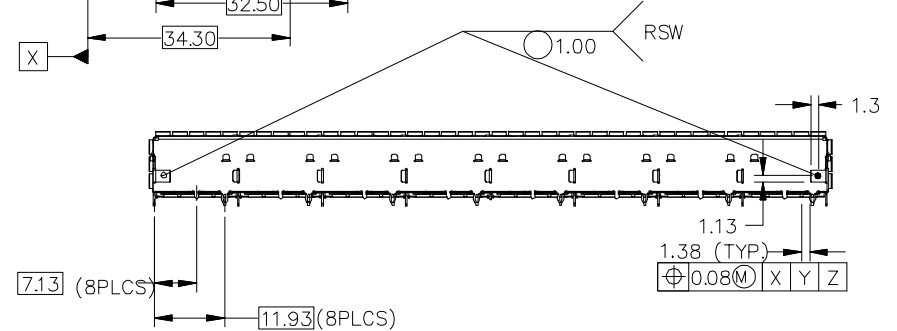
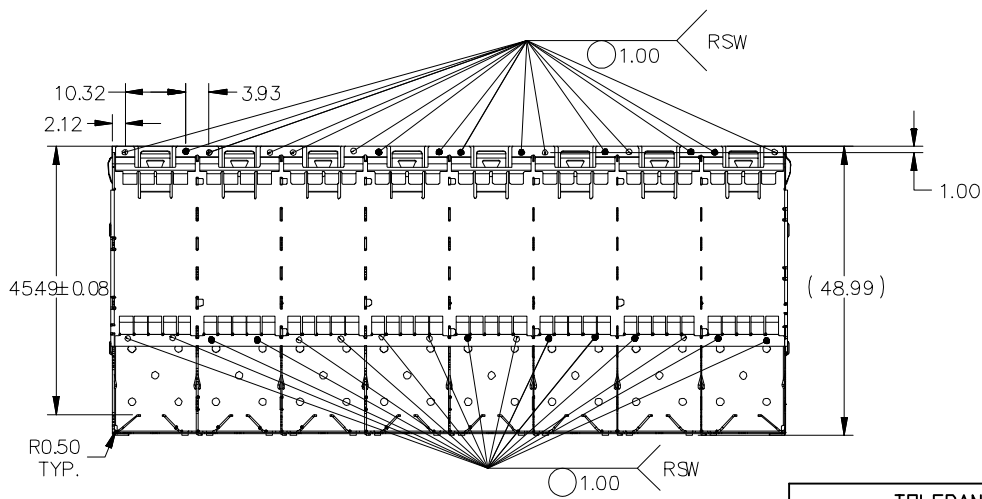
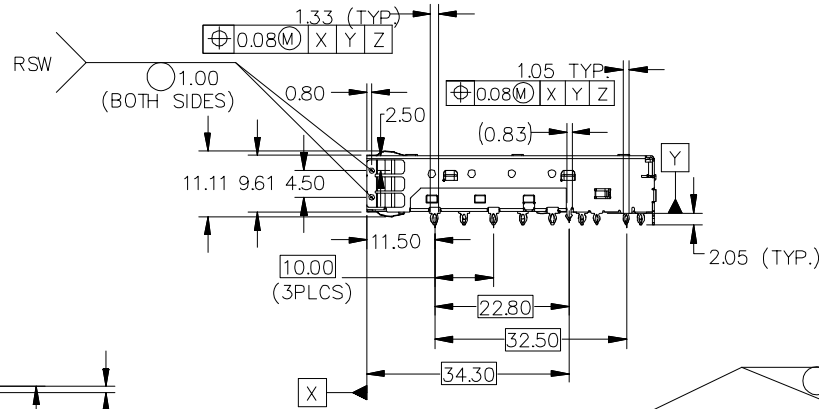
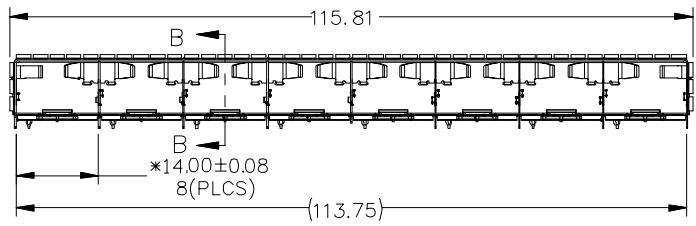
REV	ECN NO.	NAME	DATE



SECTION B-B
SCALE 15 : 1



DETAIL B
SCALE 6 : 1



TOLERANCE		UMax conn 东莞市友贸实业有限公司 DONGGUAN UMAX ENTERPRISE LIMITED	TITLE: SFP+ CAGE 1x8 NICKEL PLATING Through Hole - Press-Fit						
LINEAR	ANGLES		PART NO. UMAX7812401						
X±0.40	X°± 3°	APPD: Jason	MAT'L:	DWG NO. C-UMAX7D10119		UNITS	SCALE	SHEET	REV
.X±0.30	.X°±	CHKD: Schumi	FINISH:			MM	1 : 2	3 OF 3	0
.XX±0.20	.XX°±	DRWN: Lei Songping	Q'TY:						
.XXX±0.10	.XXX°±								

REV	ECN NO.	NAME	DATE