

UMAX7112701
SFP+ CAGE

MATERIAL (RoHS COMPLIANT):

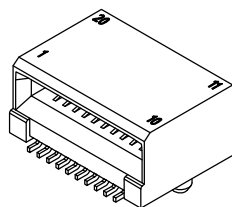
CAGE:
COPPER ALLOY

PLATING:(SEE PART NUMBER FOR OPTION)
 OPTION1:100μ" [2.54 μm] MIN. BRIGHT TIN PLATING OVER 50 μ" (1.27 μm) MIN. NICKEL UNDER PLATING. (BRIGHT TIN SOLDER TEMPERATURE 230°C MAX.).
 OPTION3: 100μ" [2.54 μm] MIN. MATTE TIN PLATING OVER 50 μ" (1.27 μm) MIN. NICKEL UNDER PLATING.(MATTE TIN SOLDER TEMPRETURE 245°C MAX. IN 10 SECONDS OF PEAK TIME,)

DUST COVER
THERMOPLASTIC, COLOR BLACK.

PACKAGING:
TAPE AND REEL OR TRAY PACKAGING.

TEMPERATURE RANGE:
-40°C TO +85°C

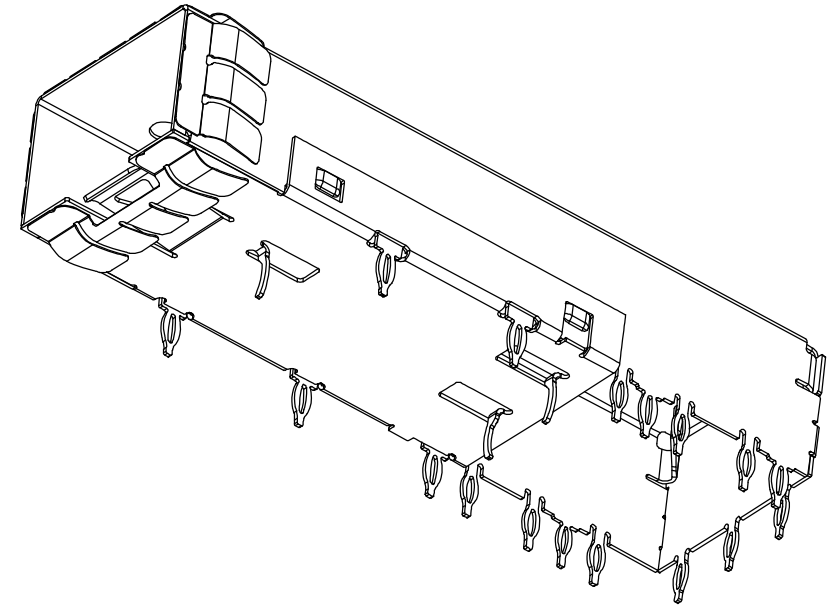
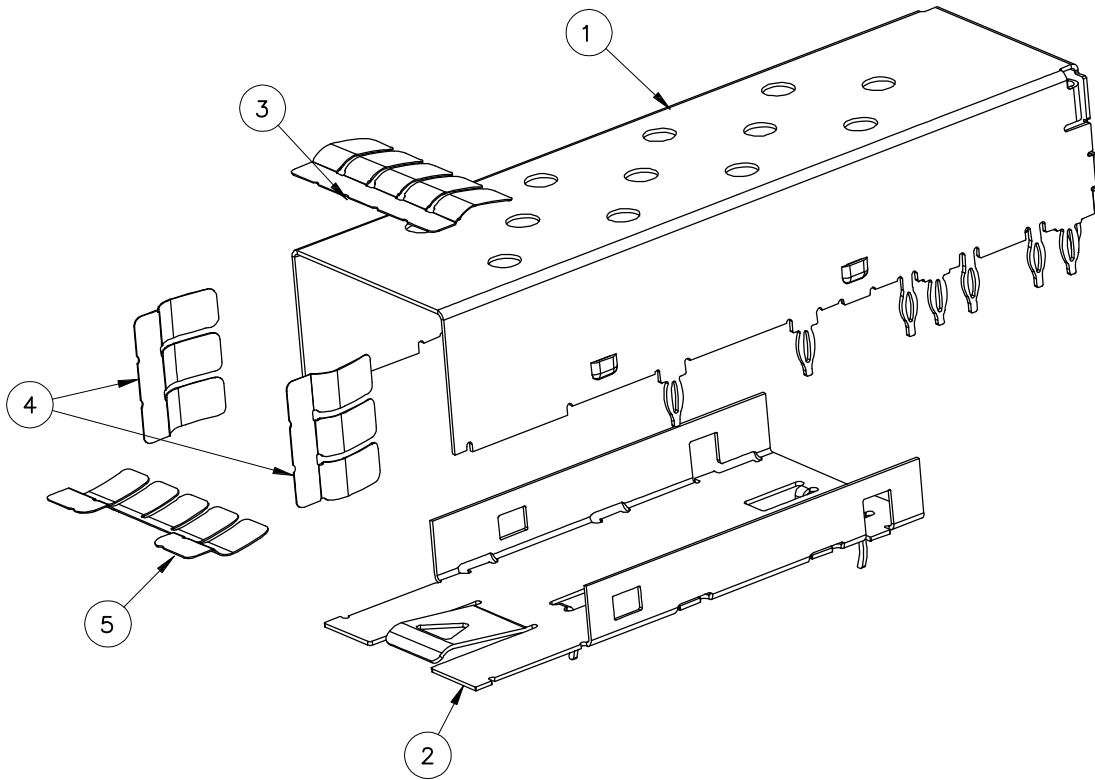


M42F-08P-020-P002G
SFP+ CONNECTOR

TOLERANCE		UMax conn 东莞市友贸实业有限公司 DONGGUAN UMAX ENTERPRISE LIMITED	TITLE: SFP+ CAGE 1x1 NICKEL PLATING Through Hole-Press-Fit			
LINEAR	ANGLES		PART NO. UMAX7112701			
X±0.40	X°± 3°	APPD: Jason	MAT'L:			DWG NO. C-UMAX7D0128
.X±0.30	.X°±	CHKD: Schumi	FINISH:			
.XX±0.20	.XX°±	DRWN: Lei Songping	Q'TY:			
.XXX±0.10	.XXX°±					

REV	ECN NO.	NAME	DATE

UNITS	SCALE	SHEET	REV
MM	1 : 1	1 OF 3	0

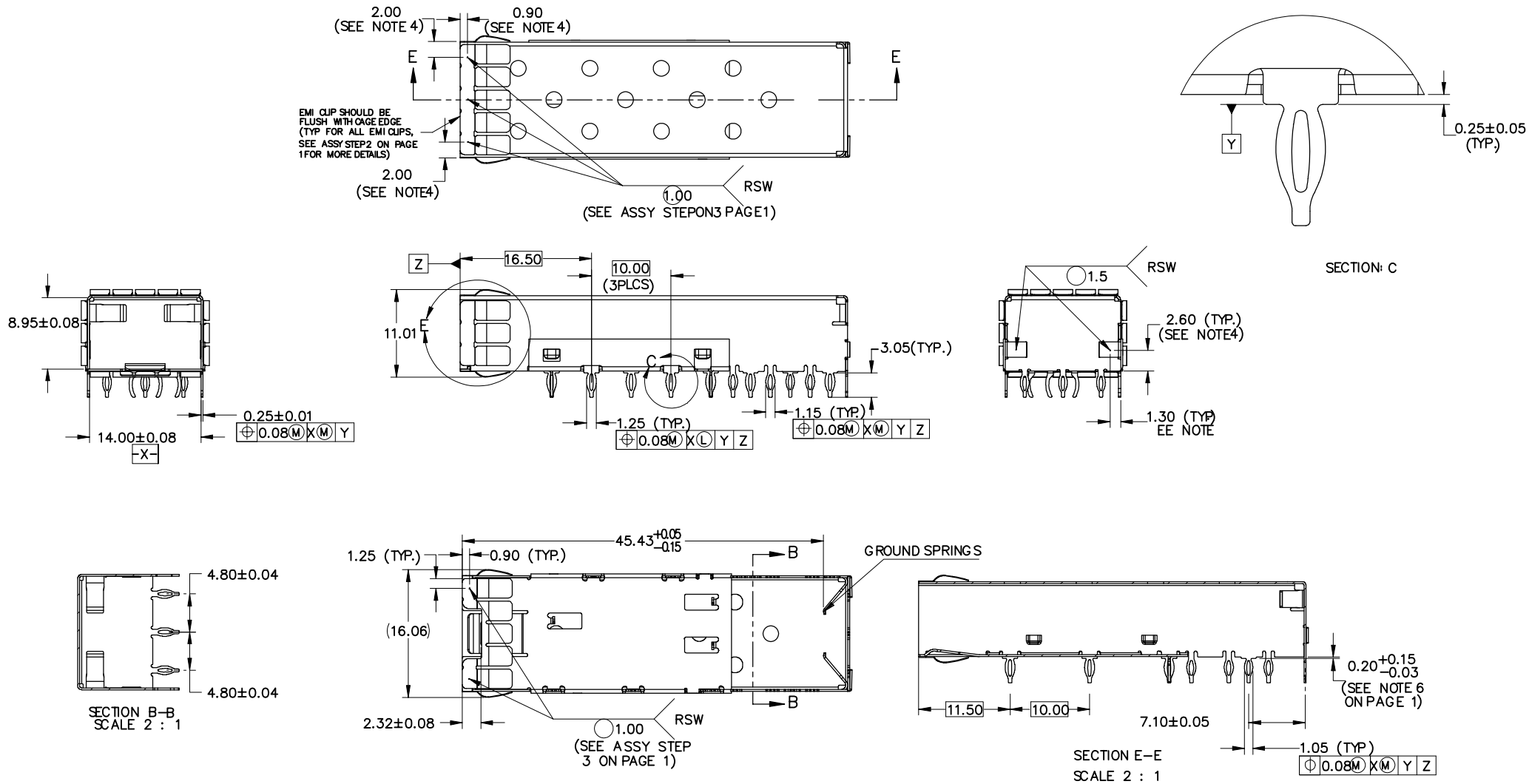


5	BOTTOM EMI CLIP
4	SIDE EMI CLIP
3	TOP EMI CLIP
2	BOTTOM CAGE
1	TOP CAGE
ITEM No.	DESCRIPTION

TOLERANCE		UMax 东莞市友贸实业有限公司 conn DONGGUAN UMAX ENTERPRISE LIMITED	
LINEAR	ANGLES		
X±0.40	X°± 3°	APPD: Jason	MAT'L:
.X±0.30	.X°±	CHKD: Schumi	FINISH:
.XX±0.20	.XX°±	DRWN: Lei Songping	Q'TY:
.XXX±0.10	.XXX°±		

TITLE: SFP+ CAGE 1x1 NICKEL PLATING Through Hole-Press-Fit			
PART NO.		UMAX7112701	
DWG NO.		C-UMAX7D0128	
	UNITS	SCALE	SHEET
	MM	1 : 1	2 OF 3
			REV
			0

REV	ECN NO.	NAME	DATE



TOLERANCE		UMax 东莞市友贸实业有限公司 conn DONGGUAN UMAX ENTERPRISE LIMITED	
LINEAR	ANGLES	APPD:	MAT'L:
X±0.40	X°±4°	Jason	
.X±0.30	.X°±3°	CHKD: Schumi	FINISH:
.XX±0.20	.XX°±2°	DRWN: Terry	Q'TY:
.XXX±0.10	.XXX°±1°		

TITLE: SFP CAGE 1x1 NICKEL PLATING Through Hole - Press-Fit			
PART NO. UMAX7112701		DWG NO. C-UMAX7D0128	
UNITS	SCALE	SHEET	REV
MM	1 : 1	3 OF 3	0

REV	ECN NO.	NAME	DATE