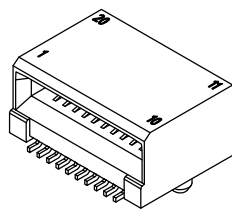


UMAX7102601
SFP CAGE



KSP20LG154
SFP CONNECTOR

MATERIAL (RoHS COMPLIANCE):

CAGE:
COPPER ALLOY

PLATING OPTION 1:
100μ" [2.54 μm] MIN. TIN
PLATING OVER 50 μ" (1.27 μm)
MIN. NICKEL UNDER PLATING.

PLATING OPTION 2:
100μ" [2.54 μm] MIN. NICKEL
PLATING (NOT FOR SOLDER PINS).

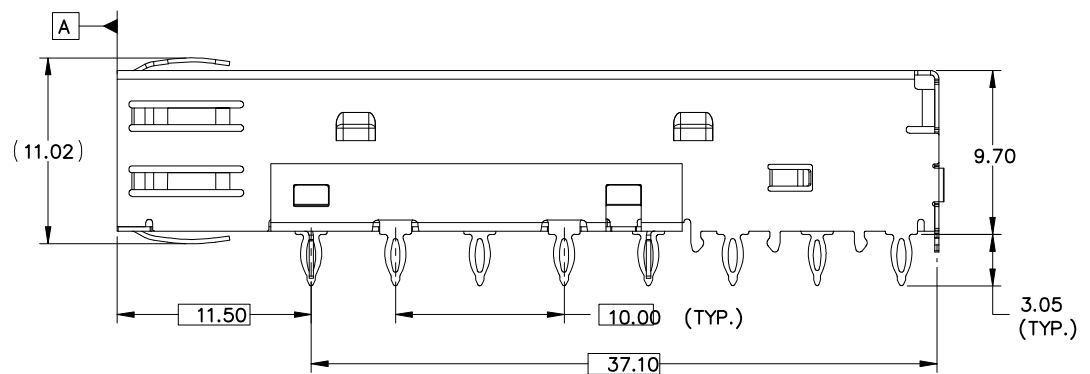
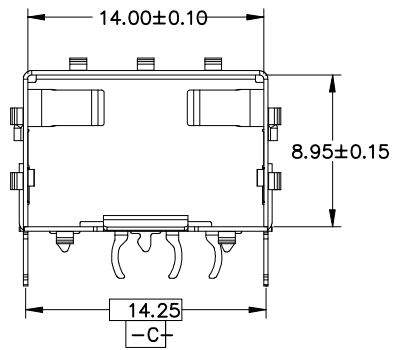
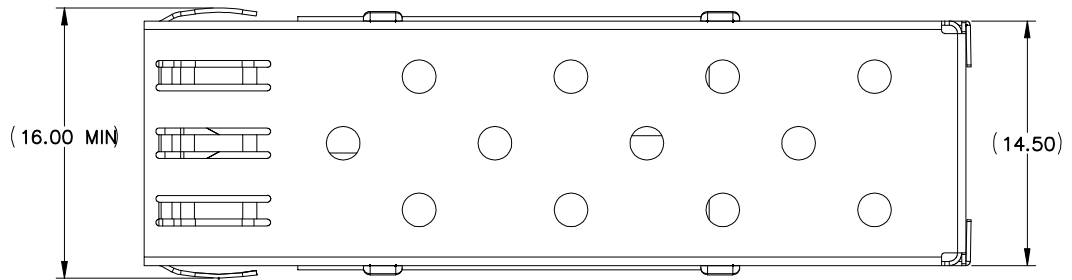
DUST COVER
THERMOPLASTIC, COLOR BLACK.

PACKAGING:
TAPE AND REEL OR TRAY PACKAGING.

TEMPERATURE RANGE:
-40°C TO +85°C

TOLERANCE		UMax conn 东莞市友贸实业有限公司 DONGGUAN UMAX ENTERPRISE LIMITED		TITLE: SFP CAGE 1x1 NICKEL PLATING Through Hole - Press-Fit				
LINEAR	ANGLES			PART NO. UMAX7102601				
X±0.40	X'± 3°	APPD: Jason	MAT'L:	DWG NO. C-UMAX7D0507				
.X±0.30	.X'±	CHKD: Schumi	FINISH:		UNITS	SCALE	SHEET	REV
.XX±0.20	.XX'±	DRWN: Lei Songping	Q'TY:					
.XXX±0.10	.XXX'±							

REV	ECN NO.	NAME	DATE

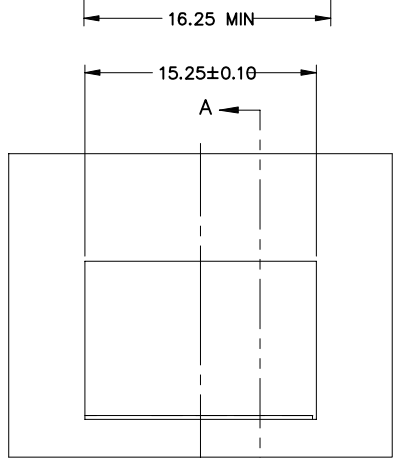
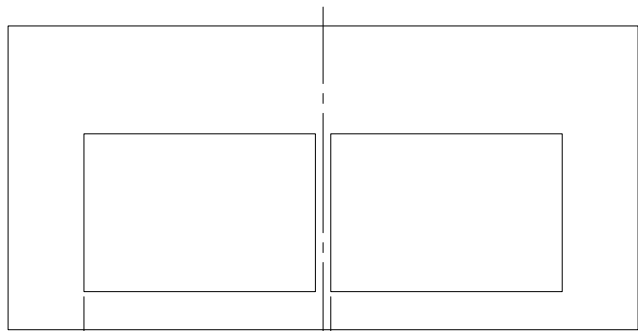


TOLERANCE	
LINEAR	ANGLES
X.±0.40	X'± 3°
.X±0.30	.X'±
.XX±0.20	.XX'±
.XXX±0.10	.XXX'±

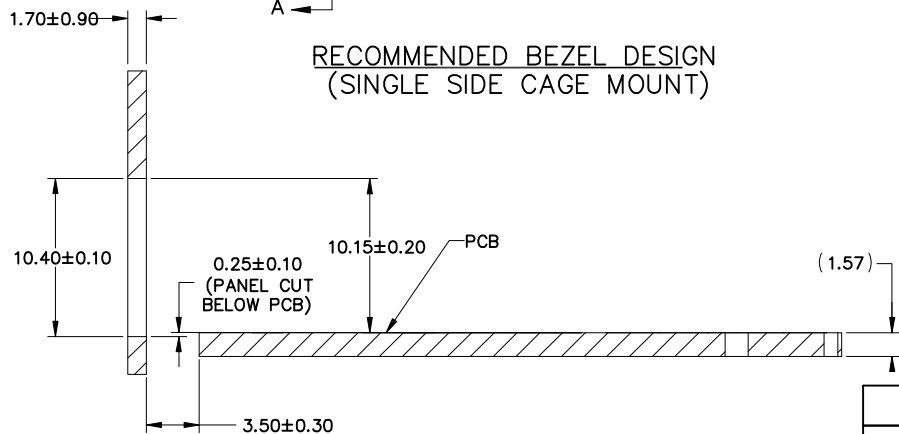
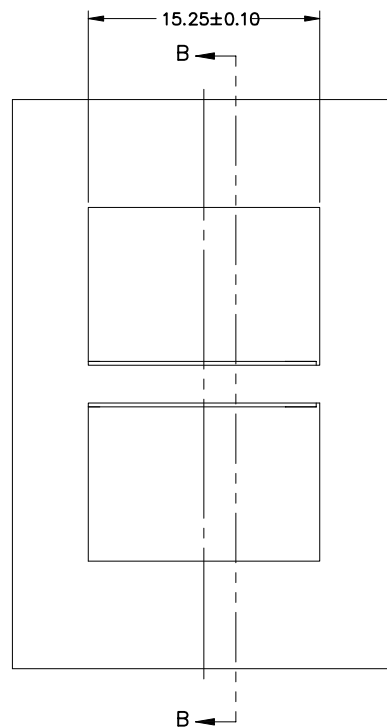
UMax conn 东莞市友贸实业有限公司 DONGGUAN UMAX ENTERPRISE LIMITED		APPD: Jason	MAT'L:
		CHKD: Schumi	FINISH:
DRWN: Lei Songping		Q'TY:	

TITLE: SFP CAGE 1x1 NICKEL PLATING Through Hole - Press-Fit			
PART NO. UMAX7102601		DWG NO. C-UMAX7D0507	
	UNITS	SCALE	SHEET
	MM	1 : 1	2 OF 5
REV	ECN NO.	NAME	DATE
			0

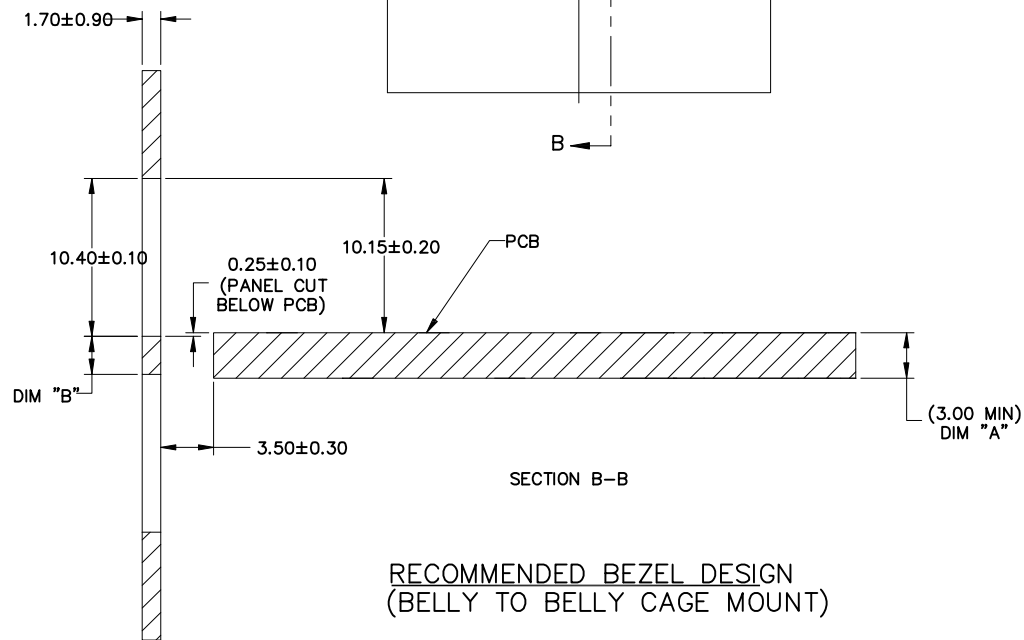
REV	ECN NO.	NAME	DATE



NOTE:
 PANEL CUTOUTS SIZES PER SFF 8433 SPEC.
 FOR BELLY TO BELLY MOUNTING,
 DIM "A" (PCB THICKNESS) IS 3.0 mm MIN.
 DIM "B" RELATED TO DIM "A". FOR
 DIM "B"=DIM "A"-0.80mm. THE PANEL
 CUTOUT 10.40mm MIGHT BE INCREASED
 UP TO 10.80mm IN ORDER TO
 ACCOMODATE PCB TOLERANCE.



RECOMMENDED BEZEL DESIGN
 (SINGLE SIDE CAGE MOUNT)



RECOMMENDED BEZEL DESIGN
 (BELLY TO BELLY CAGE MOUNT)

TOLERANCE	
LINEAR	ANGLES
X±0.40	X'± 3°
.X±0.30	.X'±
.XX±0.20	.XX'±
.XXX±0.10	.XXX'±

UMax conn 东莞市友贸实业有限公司
 DONGGUAN UMAX ENTERPRISE LIMITED

TITLE: SFP CAGE 1x1
 NICKEL PLATING
 Through Hole - Press-Fit

PART NO. UMAX7102601

DWG NO. C-UMAX7D0507

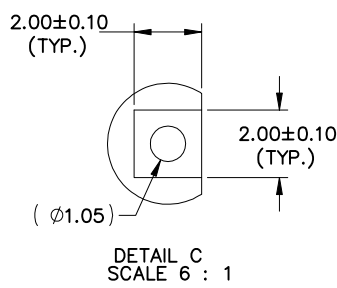
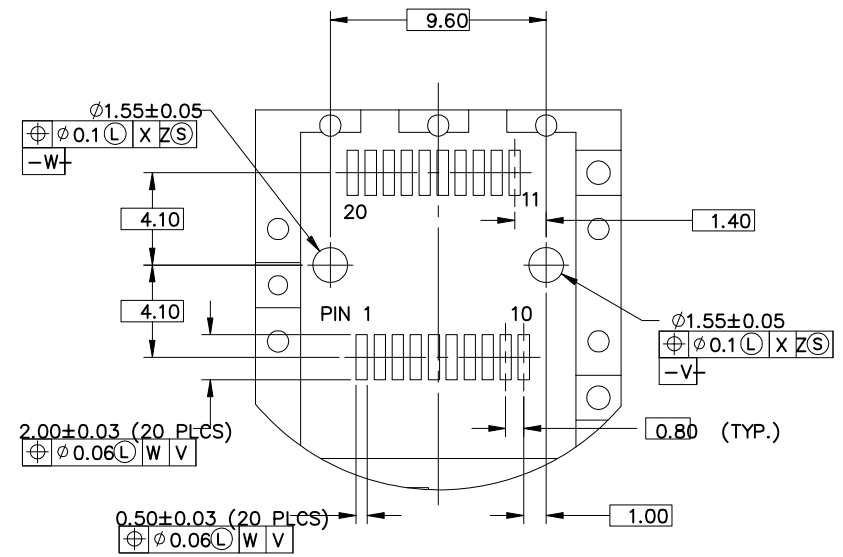
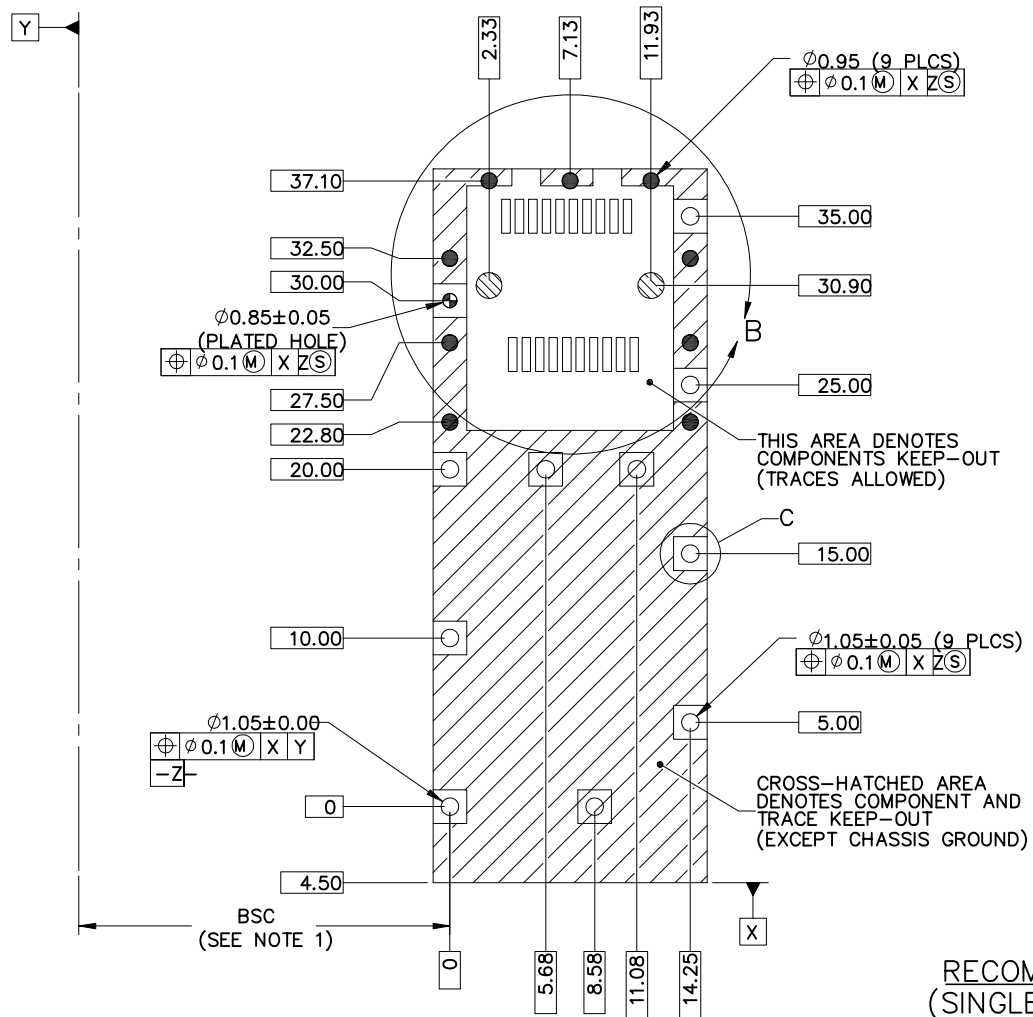
APPD: Jason
 CHKD: Schumi
 DRWN: Lei Songping

MAT'L:
 FINISH:
 Q'TY:



UNITS	SCALE	SHEET	REV
MM	1 : 1	3 OF 5	0

REV	ECN NO.	NAME	DATE



DETAIL B
SCALE 4 : 1

DETAIL C
SCALE 6 : 1

- HOLE SIZES
- $\phi 1.55$
 - $\phi 1.05$
 - $\phi 0.95$
 - ⊕ $\phi 0.85$

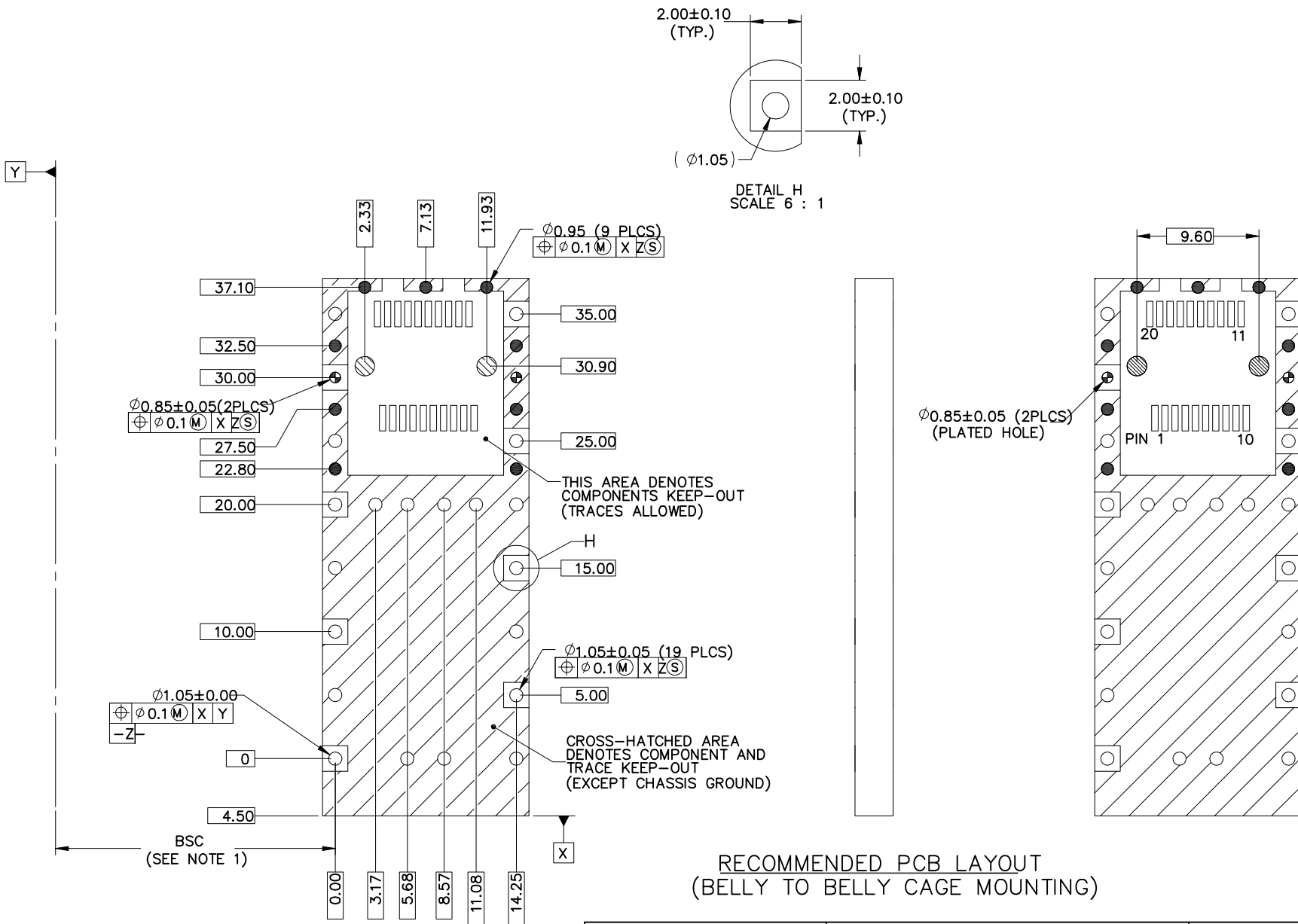
RECOMMENDED PCB LAYOUT
(SINGLE SIDE CAGE MOUNTING)

REV	ECN NO.	NAME	DATE

TOLERANCE	
LINEAR	ANGLES
$X \pm 0.40$	$X' \pm 3^\circ$
$.X \pm 0.30$	$.X' \pm$
$.XX \pm 0.20$	$.XX' \pm$
$.XXX \pm 0.10$	$.XXX' \pm$

UMax conn 东莞市友贸实业有限公司 DONGGUAN UMAX ENTERPRISE LIMITED		APPD:	Jason	MAT'L:	
		CHKD:	Schumi	FINISH:	
DRWN:		Lei Songping	Q'TY:		

TITLE: SFP CAGE 1x1 NICKEL PLATING Through Hole - Press-Fit				
PART NO.		UMAX7102601		
DWG NO.		C-UMAX7D0507		
	UNITS	SCALE	SHEET	REV
	MM	1 : 1	4 OF 5	0



- HOLE SIZES
- ⊗ Ø1.55
 - Ø1.05
 - Ø0.95
 - ⊕ Ø0.85

RECOMMENDED PCB LAYOUT
(BELLY TO BELLY CAGE MOUNTING)

TOLERANCE		UMax conn 东莞市友贸实业有限公司 DONGGUAN UMAX ENTERPRISE LIMITED	TITLE: SFP CAGE 1x1 NICKEL PLATING Through Hole - Press-Fit				
LINEAR	ANGLES		PART NO. UMAX7102601				
X±0.40	X'± 3°	APPD: Jason	MAT'L:	DWG NO. C-UMAX7D0507			
.X±0.30	.X'±			CHKD: Schumi	FINISH:	UNITS	SCALE
.XX±0.20	.XX'±	DRWN: Lei Songping	Q'TY:	MM	1 : 1	SHEET	REV
.XXX±0.10	.XXX'±					5 OF 5	0

REV	ECN NO.	NAME	DATE