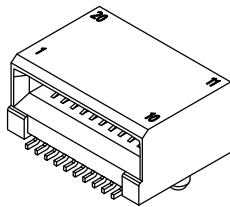


UMAX7102501
SFP CAGE



KSP20LG154
SFP CONNECTOR

MATERIAL (RoHS COMPLIANCE):

CAGE:
COPPER ALLOY

PLATING OPTION 1:
100μ" [2.54 μm] MIN. TIN
PLATING OVER 50 μ" (1.27 μm)
MIN. NICKEL UNDER PLATING.

PLATING OPTION 2:
100μ" [2.54 μm] MIN. NICKEL
PLATING (NOT FOR SOLDER PINS).

DUST COVER
THERMOPLASTIC, COLOR BLACK.

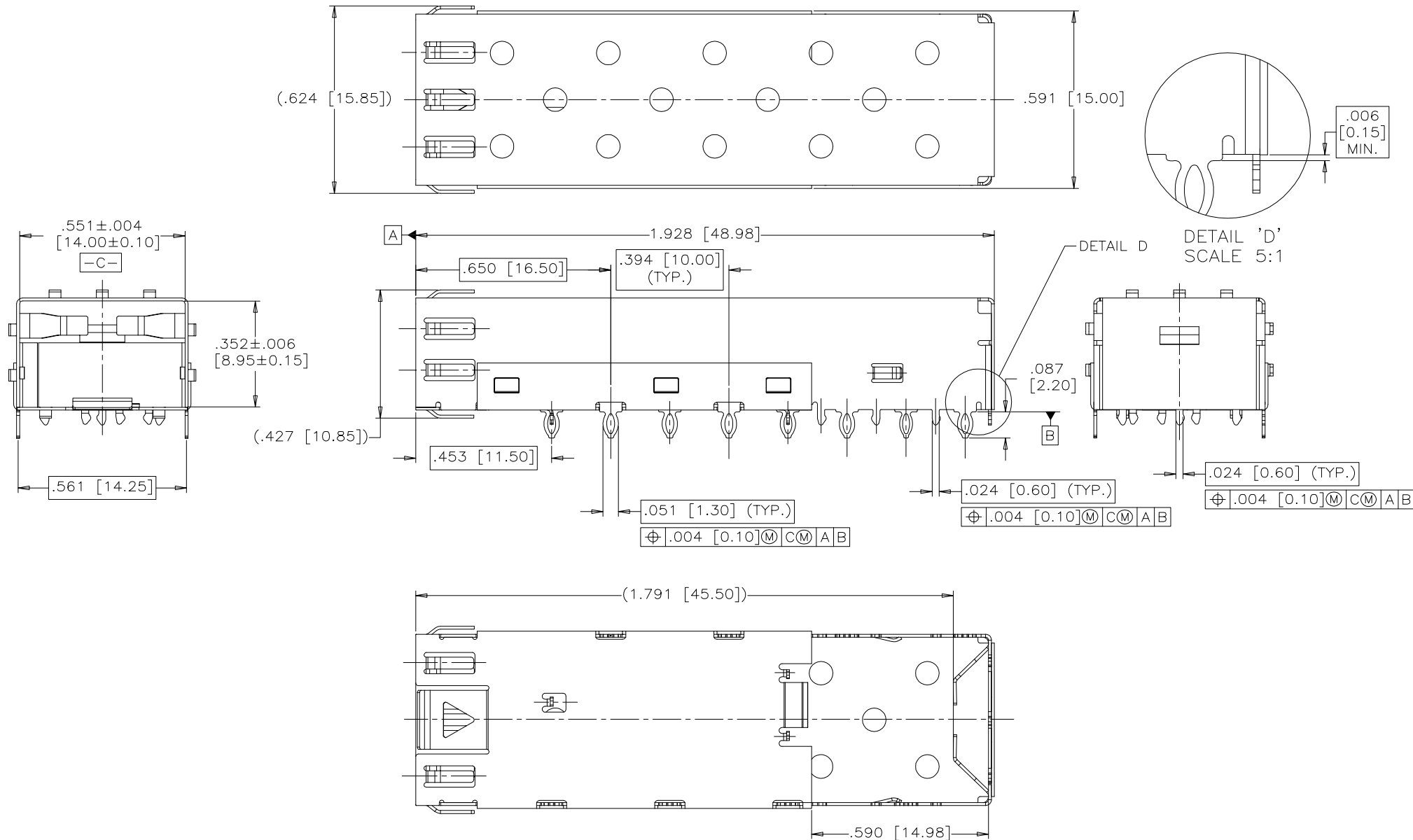
PACKAGING:
TAPE AND REEL OR TRAY PACKAGING.

TEMPERATURE RANGE:
-40°C TO +85°C

TOLERANCE		UMax 东莞市友贸实业有限公司 conn DONGGUAN UMAX ENTERPRISE LIMITED
LINEAR	ANGLES	
X±0.40	X'± 3°	APPD: Jason MAT'L: CHKD: Schumi FINISH: DRWN: Lei Songping Q'TY:
.X±0.30	.X'±	
.XX±0.20	.XX'±	
.XXX±0.10	.XXX'±	

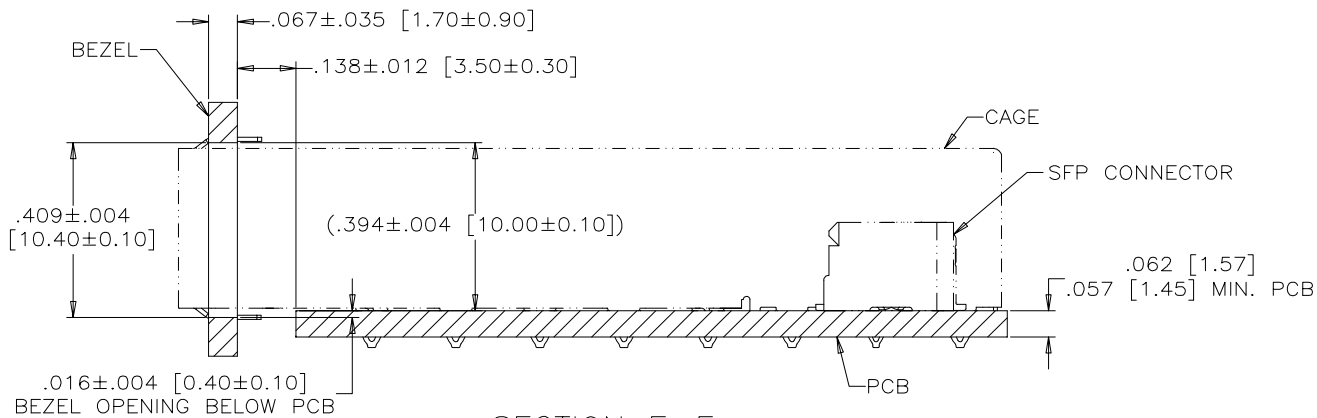
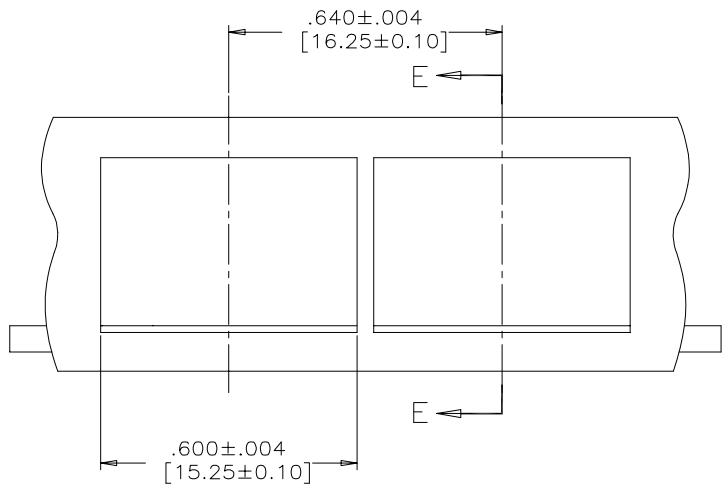
TITLE: SFP CAGE 1x1 NICKEL PLATING Through Hole - Press-Fit			
PART NO.		UMAX7102501	
DWG NO.		C-UMAX7D1017	
	UNITS	SCALE	SHEET
	MM	1 : 1	1 OF 4
		REV	0

REV	ECN NO.	NAME	DATE

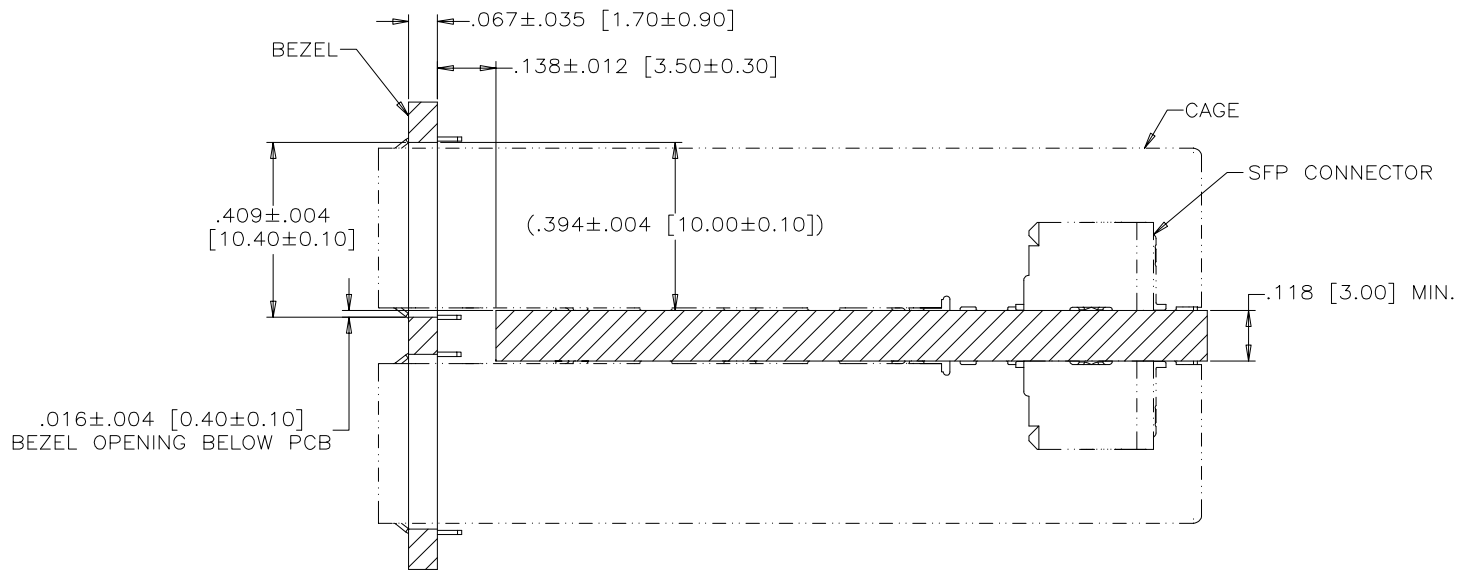
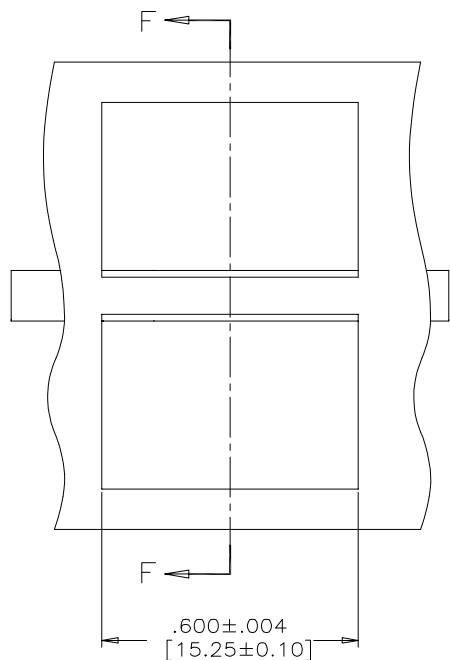


REV		ECN NO.	NAME	DATE	.XXX±0.10	.XXX±	APPD: Jason	MAT'L:	CHKD: Schumi	FINISH:	DRWN: Lei Songping	Q'TY:	TITLE: SFP CAGE 1x1 NICKEL PLATING Through Hole - Press-Fit	PART NO. UMAX7102501	DWG NO. C-UMAX7D1017	UNITS	SCALE	SHEET	REV
																MM	1 : 1	2 OF 4	0

UMax conn 东莞市友贸实业有限公司
DONGGUAN UMAX ENTERPRISE LIMITED



SECTION E-E
RECOMMENDED BEZEL DESIGN
(ONE SIDE CAGE MOUNTING)



SECTION F-F
RECOMMENDED BEZEL DESIGN
(BELLY TO BELLY CAGE MOUNTING)

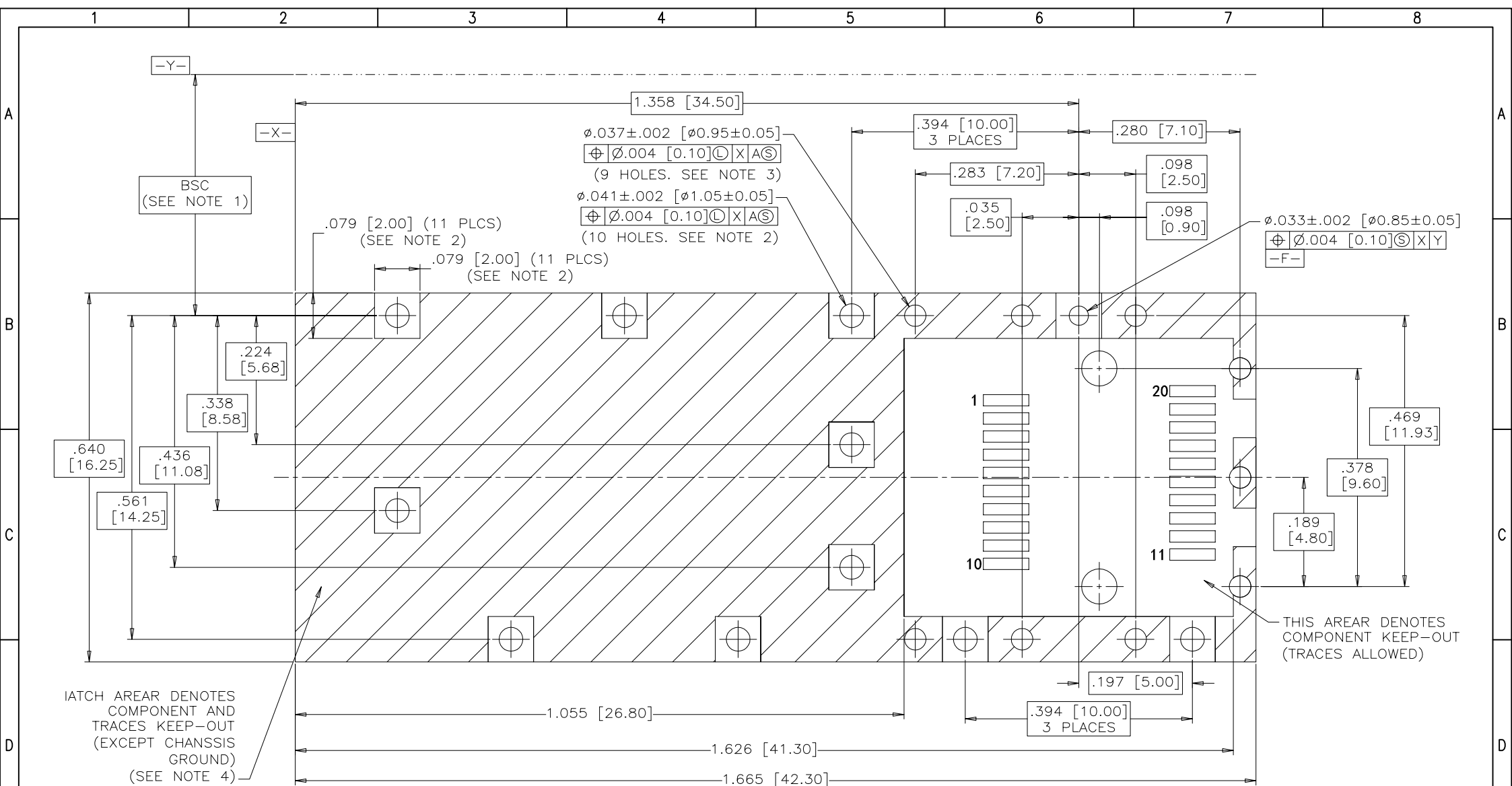
REV	ECN NO.	NAME	DATE

TOLERANCE	
LINEAR	ANGLES
X ± 0.40	X' ± 3°
.X ± 0.30	.X' ±
.XX ± 0.20	.XX' ±
.XXX ± 0.10	.XXX' ±

UMax conn 东莞市友贸实业有限公司
DONGGUAN UMAX ENTERPRISE LIMITED

APPD: Jason MAT'L:
CHKD: Schumi FINISH:
DRWN: Lei Songping Q'TY:

TITLE: SFP CAGE 1x1 NICKEL PLATING Through Hole - Press-Fit			
PART NO. UMAX7102501		DWG NO. C-UMAX7D1017	
UNITS MM	SCALE 1 : 1	SHEET 3 OF 4	REV 0



RECOMMENDED SFP HOST BOARD LAYOUT
 (ONE SIDE CAGE MOUNTING)
 (SCALE 4:1)

TOLERANCE	
LINEAR	ANGLES
X \pm 0.40	X' \pm 3'
.X \pm 0.30	.X' \pm
.XX \pm 0.20	.XX' \pm
.XXX \pm 0.10	.XXX' \pm

UMax conn 东莞市友贸实业有限公司 DONGGUAN UMAX ENTERPRISE LIMITED		TITLE: SFP CAGE 1x1 NICKEL PLATING Through Hole - Press-Fit			
		PART NO. UMAX7102501			
APPD: Jason	MAT'L:	DWG NO. C-UMAX7D1017			
CHKD: Schumi	FINISH:	UNITS	SCALE	SHEET	
DRWN: Lei Songping	Q'TY:	MM	1 : 1	4 OF 4	

REV	ECN NO.	NAME	DATE

UNITS	SCALE	SHEET	REV
MM	1 : 1	4 OF 4	0

CUSTOMER