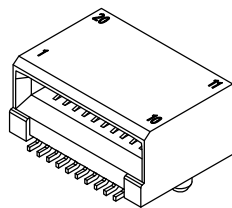


UMAX7101202
SFP CAGE



KSP20LG154
SFP CONNECTOR

MATERIAL (RoHS COMPLIANT):

CAGE:
COPPER ALLOY

PLATING:(SEE PART NUMBER FOR OPTION)
 OPTION1:100μ" [2.54 μm] MIN. BRIGHT TIN PLATING OVER 50 μ" (1.27 μm) MIN. NICKEL UNDER PLATING. (BRIGHT TIN SOLDER TEMPERATURE 230°C MAX.).
 OPTION3: 100μ" [2.54 μm] MIN. MATTE TIN PLATING OVER 50 μ" (1.27 μm) MIN. NICKEL UNDER PLATING.(MATTE TIN SOLDER TEMPRETURE 245°C MAX. IN 10 SECONDS OF PEAK TIME,)

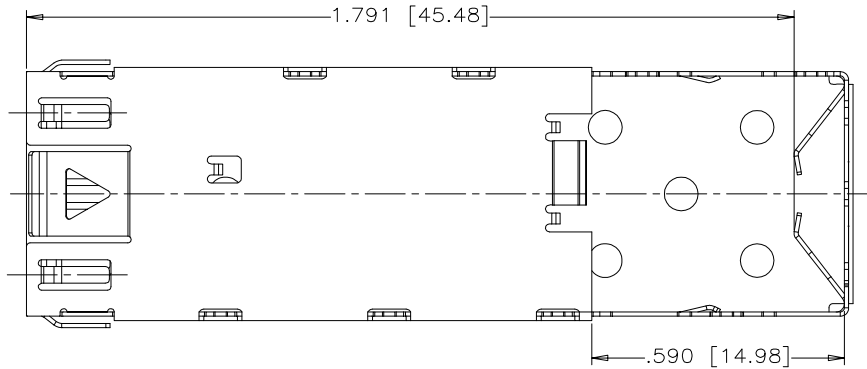
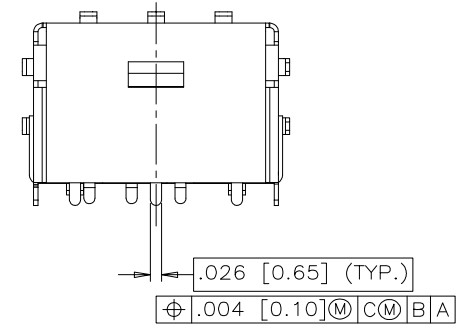
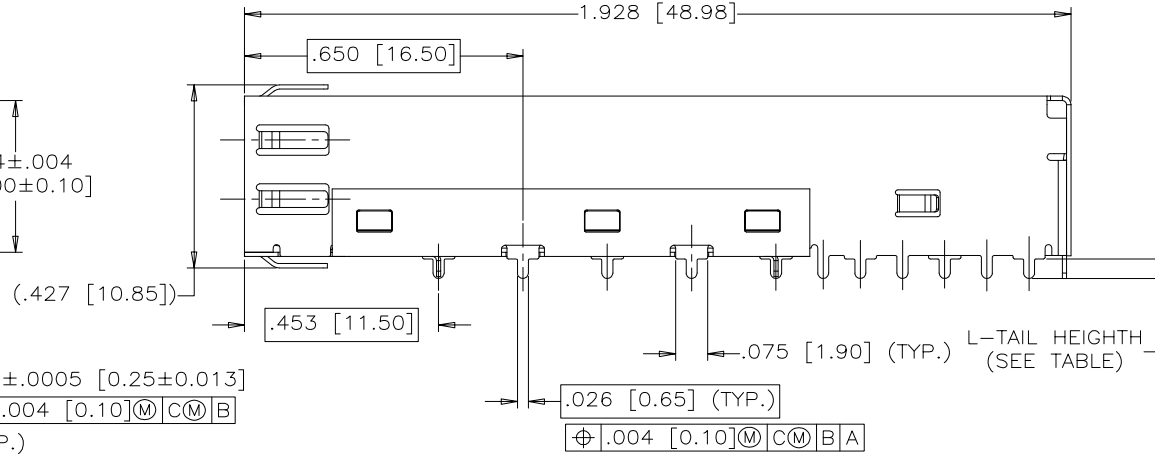
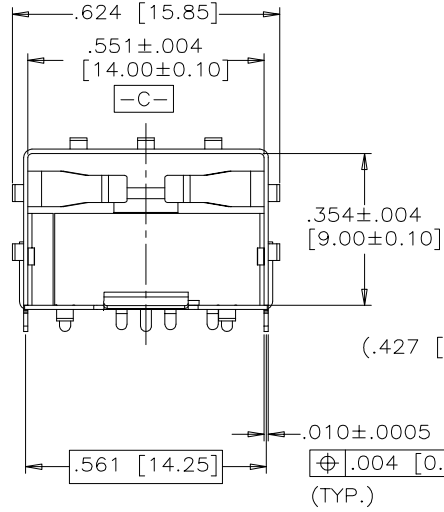
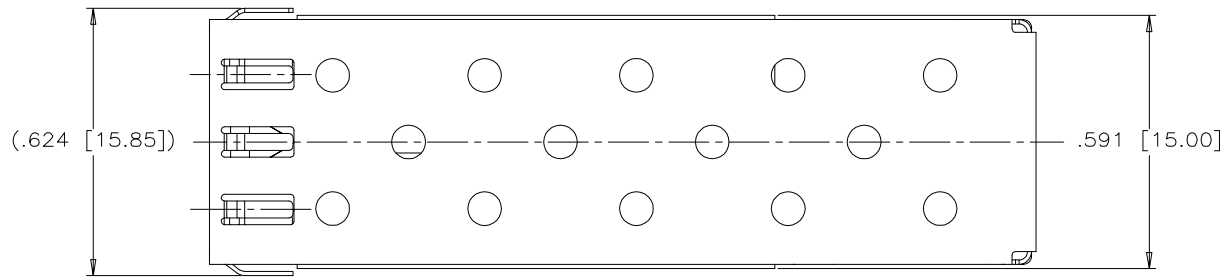
DUST COVER
THERMOPLASTIC, COLOR BLACK.

PACKAGING:
TAPE AND REEL OR TRAY PACKAGING.

TEMPERATURE RANGE:
-40°C TO +85°C

TOLERANCE		UMax conn 东莞市友贸实业有限公司 DONGGUAN UMAX ENTERPRISE LIMITED	TITLE: SFP CAGE 1x1 MATTE TIN PLATING Through Hole-Solder							
LINEAR	ANGLES		PART NO. UMAX7101202							
X±0.40	X'± 3°	APPD: Jason	MAT'L:			DWG NO. C-UMAX7D1019				
.X±0.30	.X'±	CHKD: Schumi	FINISH:				UNITS	SCALE	SHEET	REV
.XX±0.20	.XX'±	DRWN: Lei Songping	Q'TY:				MM	1 : 1	1 OF 4	0
.XXX±0.10	.XXX'±									

REV	ECN NO.	NAME	DATE



TABLE

PART NUMBER	SOLDER TAIL HEIGHT (mm)
UMAX7101102	1.20
UMAX7101202	3.20
UMAX7101302	1.80

TOLERANCE	
LINEAR	ANGLES
X±0.40	X'± 3°
.X±0.30	.X'±
.XX±0.20	.XX'±
.XXX±0.10	.XXX'±

UMax conn 东莞市友贸实业有限公司
DONGGUAN UMAX ENTERPRISE LIMITED

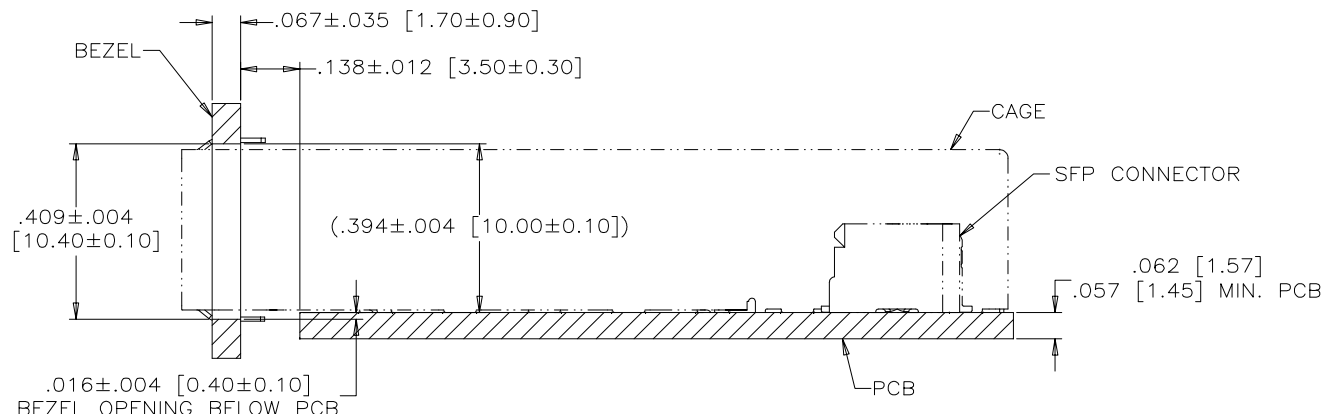
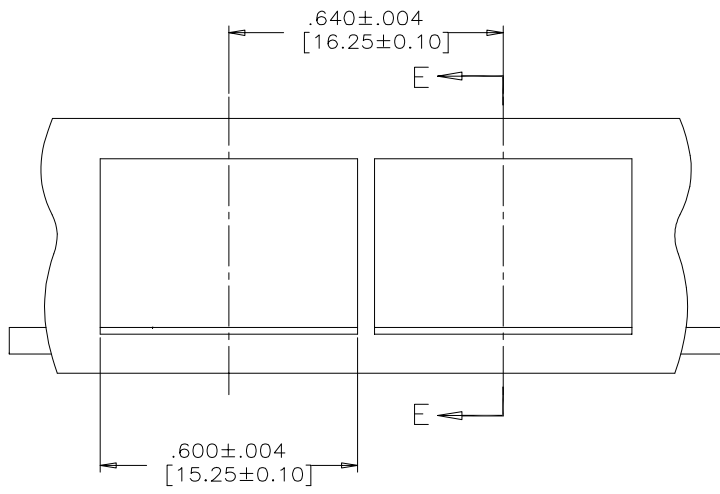
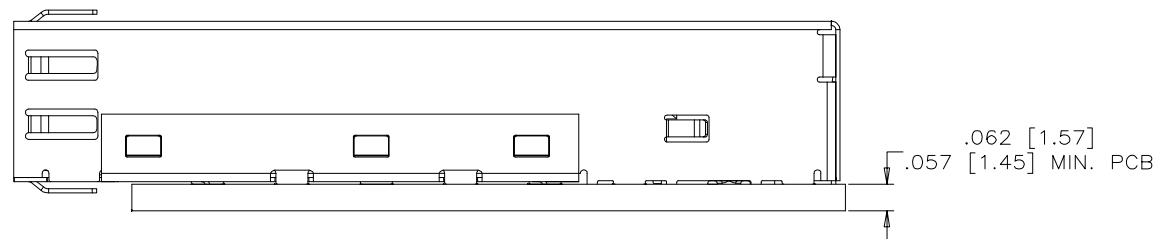
TITLE: SFP CAGE 1x1
MATTE TIN PLATING
Through Hole-Solder

PART NO. UMAX7101202
DWG NO. C-UMAX7D1019

APPD: Jason MAT'L:
CHKD: Schumi FINISH:
DRWN: Lei Songping Q'TY:

UNITS	SCALE	SHEET	REV
MM	1 : 1	2 OF 4	0

REV	ECN NO.	NAME	DATE



SECTION E-E

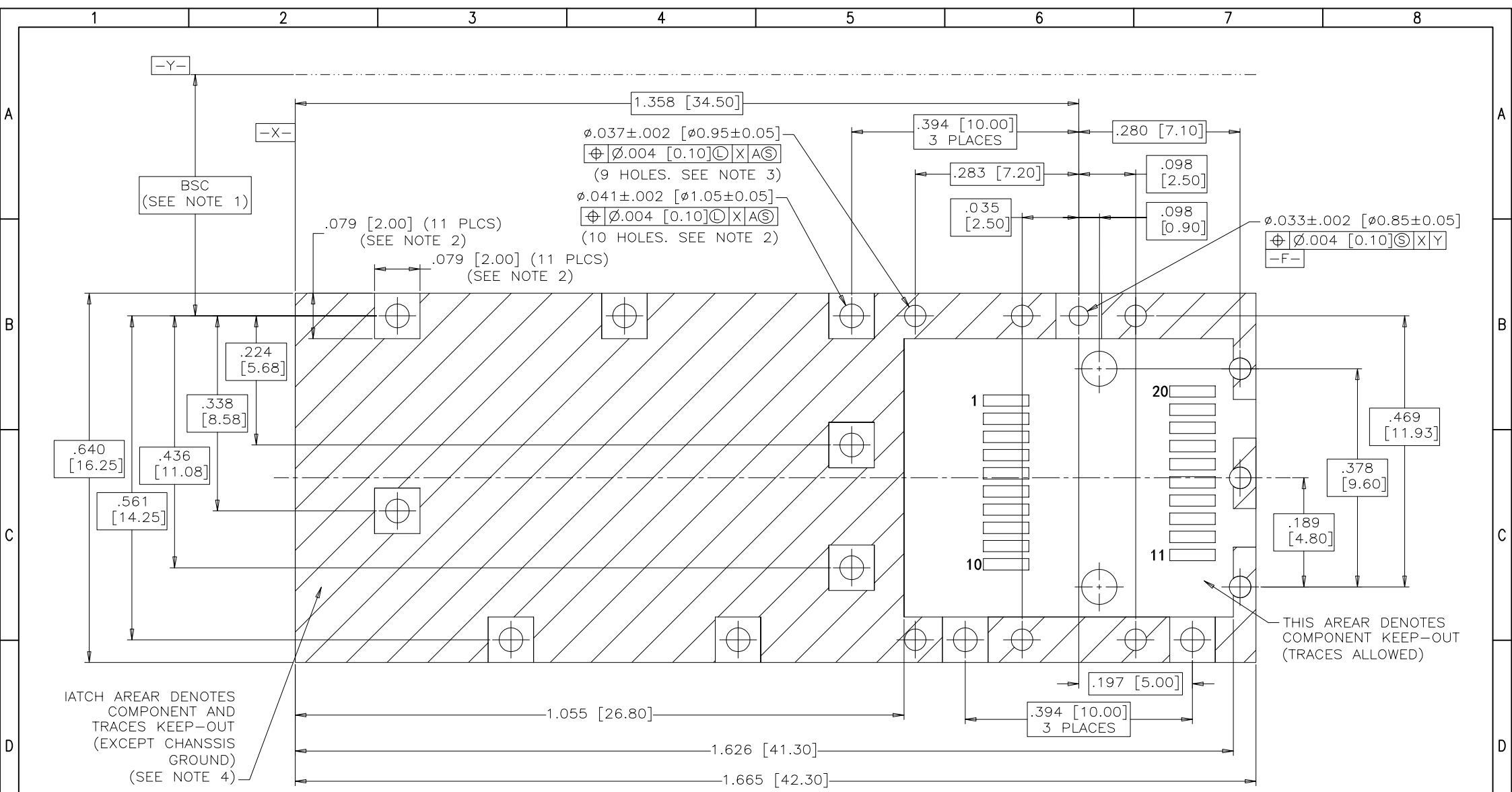
RECOMMENDED BEZEL DESIGN
(ONE SIDE CAGE MOUNTING)

REV	ECN NO.	NAME	DATE

TOLERANCE	
LINEAR	ANGLES
$X \pm 0.40$	$X' \pm 3'$
$.X \pm 0.30$	$.X' \pm$
$.XX \pm 0.20$	$.XX' \pm$
$.XXX \pm 0.10$	$.XXX' \pm$

UMax conn 东莞市友贸实业有限公司 DONGGUAN UMAX ENTERPRISE LIMITED		APPD:	Jason	MAT'L:	
		CHKD:	Schumi	FINISH:	
DRWN:		Lei Songping	Q'TY:		

TITLE: SFP CAGE 1x1 MATTE TIN PLATING Through Hole-Solder				
PART NO.		UMAX7101202		
DWG NO.		C-UMAX7D1019		
	UNITS	SCALE	SHEET	REV
	MM	1 : 1	3 OF 4	0



RECOMMENDED SFP HOST BOARD LAYOUT
(ONE SIDE CAGE MOUNTING)
(SCALE 4:1)

				TOLERANCE		UMax conn 东莞市友贸实业有限公司 DONGGUAN UMAX ENTERPRISE LIMITED		TITLE: SFP CAGE 1x1 MATTE TIN PLATING Through Hole-Solder					
				LINEAR	ANGLES			PART NO. UMAX7101202					
				X \pm 0.40	X' \pm 3°	APPD: Jason		DWG NO. C-UMAX7D1019		UNITS	SCALE	SHEET	REV
				.X \pm 0.30	.X' \pm	MAT'L:				MM	1 : 1	4 OF 4	0
REV	ECN NO.	NAME	DATE	.XX \pm 0.20	.XX' \pm	CHKD: Schumi	FINISH:						
				.XXX \pm 0.10	.XXX' \pm	DRWN: Lei Songping	Q'TY:						