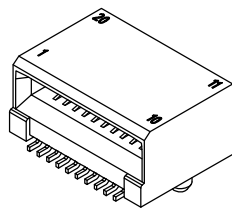


UMAX7101201
SFP CAGE



KSP20LG154
SFP CONNECTOR

MATERIAL (RoHS COMPLIANT):

CAGE:
COPPER ALLOY

PLATING:(SEE PART NUMBER FOR OPTION)

OPTION1:100 μ " [2.54 μ m] MIN. BRIGHT TIN PLATING OVER 50 μ " (1.27 μ m) MIN. NICKEL UNDER PLATING. (BRIGHT TIN SOLDER TEMPERATURE 230°C MAX.).

OPTION3: 100 μ " [2.54 μ m] MIN. MATTE TIN PLATING OVER 50 μ " (1.27 μ m) MIN. NICKEL UNDER PLATING.(MATTE TIN SOLDER TEMPRETURE 245°C MAX. IN 10 SECONDS OF PEAK TIME,)

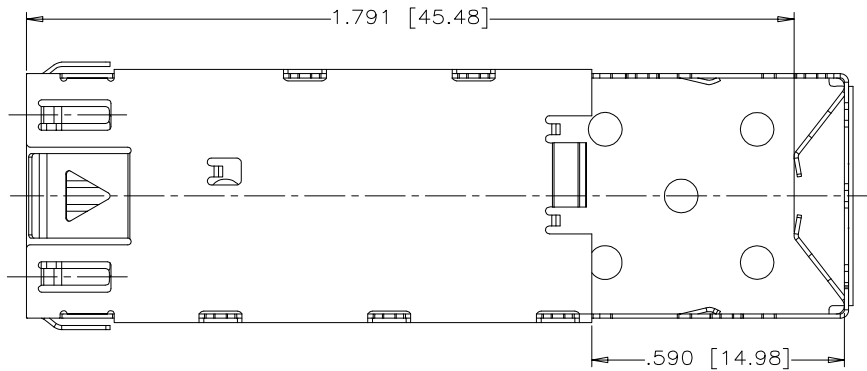
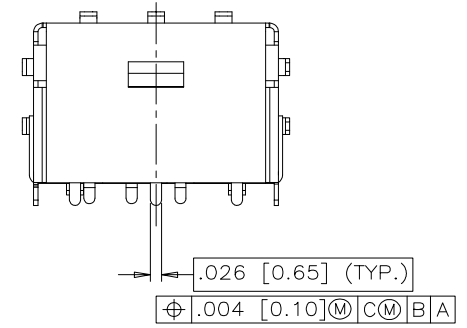
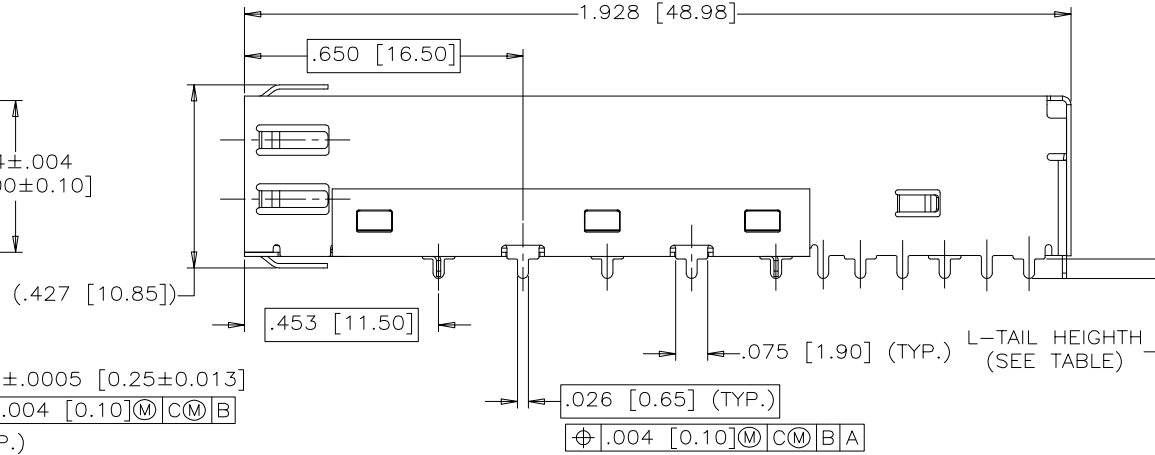
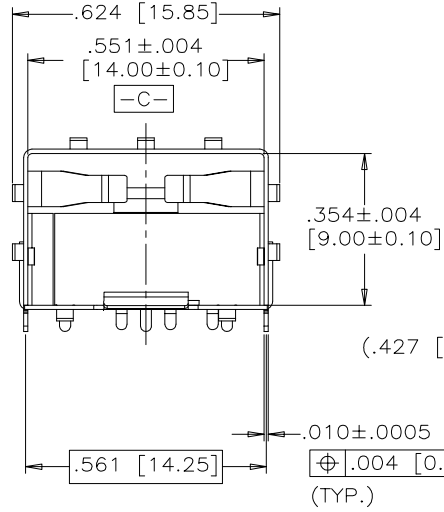
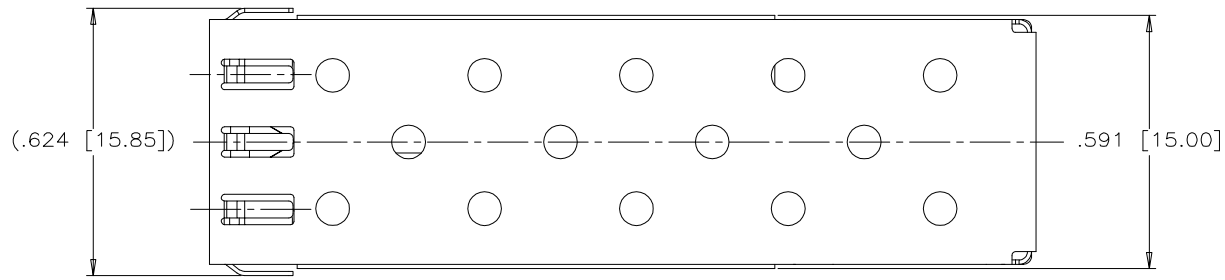
DUST COVER
THERMOPLASTIC, COLOR BLACK.

PACKAGING:
TAPE AND REEL OR TRAY PACKAGING.

TEMPERATURE RANGE:
-40°C TO +85°C

TOLERANCE		UMax conn 东莞市友贸实业有限公司 DONGGUAN UMAX ENTERPRISE LIMITED	TITLE: SFP CAGE 1x1 NICKEL PLATING Through Hole-Solder											
LINEAR	ANGLES		PART NO. UMAX7101201											
X \pm 0.40	X' \pm 3°	APPD: Jason	MAT'L:			DWG NO. C-UMAX7D1018								
.X \pm 0.30	.X' \pm	CHKD: Schumi	FINISH:			<table border="1"> <tr> <th>UNITS</th> <th>SCALE</th> <th>SHEET</th> <th>REV</th> </tr> <tr> <td>MM</td> <td>1 : 1</td> <td>1 OF 4</td> <td>0</td> </tr> </table>	UNITS	SCALE	SHEET	REV	MM	1 : 1	1 OF 4	0
UNITS	SCALE	SHEET	REV											
MM	1 : 1	1 OF 4	0											
.XX \pm 0.20	.XX' \pm	DRWN: Lei Songping	Q'TY:											
.XXX \pm 0.10	.XXX' \pm													

REV	ECN NO.	NAME	DATE



TABLE

PART NUMBER	SOLDER TAIL HEIGHT (mm)
UMAX701011-001	1.20
UMAX701012-001	3.20
UMAX701013-001	1.80

TOLERANCE	
LINEAR	ANGLES
X±0.40	X'± 3°
.X±0.30	.X'±
.XX±0.20	.XX'±
.XXX±0.10	.XXX'±

UMax conn 东莞市友贸实业有限公司
DONGGUAN UMAX ENTERPRISE LIMITED

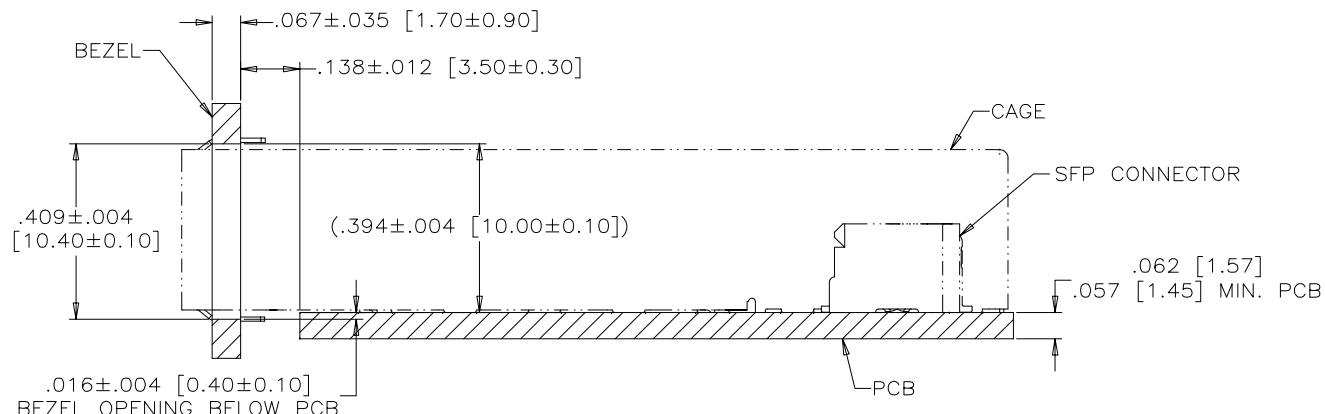
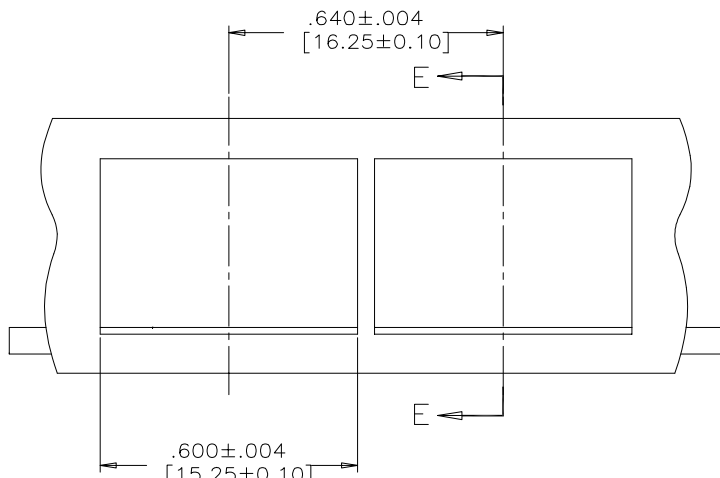
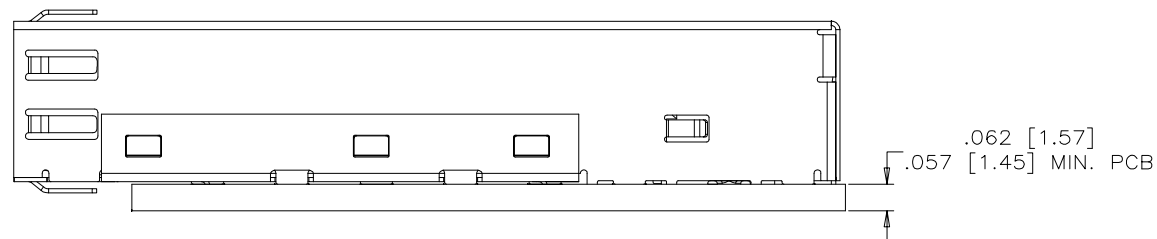
APPD: Jason MAT'L:
CHKD: Schumi FINISH:
DRWN: Lei Songping Q'TY:

TITLE: SFP CAGE 1x1
NICKEL PLATING
Through Hole-Solder

PART NO. UMAX7101201
DWG NO. C-UMAX7D1018

UNITS	SCALE	SHEET	REV
MM	1 : 1	2 OF 4	0

REV	ECN NO.	NAME	DATE



SECTION E-E

RECOMMENDED BEZEL DESIGN
(ONE SIDE CAGE MOUNTING)

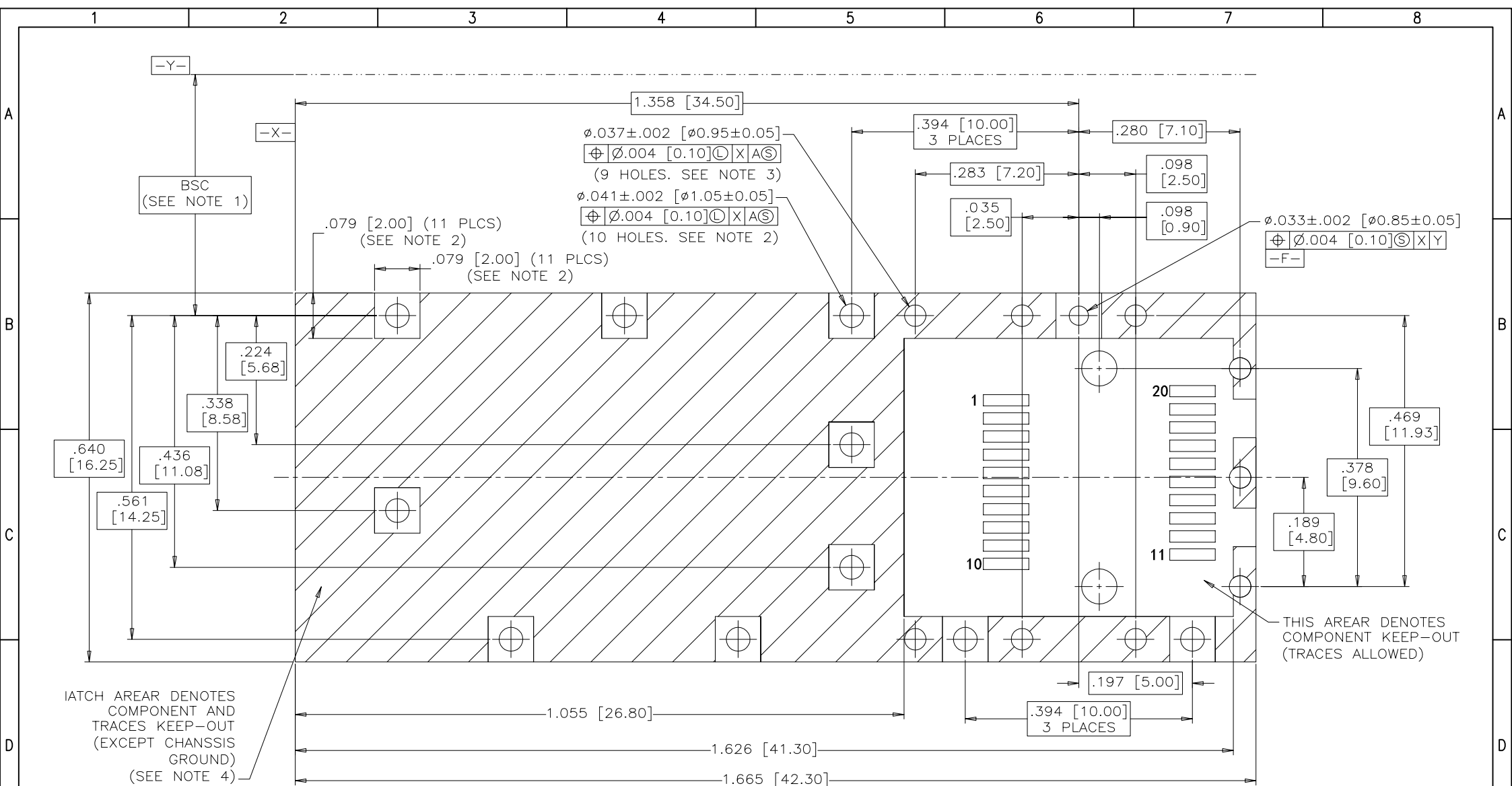
REV	ECN NO.	NAME	DATE

TOLERANCE	
LINEAR	ANGLES
X±0.40	X'± 3°
.X±0.30	.X'±
.XX±0.20	.XX'±
.XXX±0.10	.XXX'±

UMax conn 东莞市友贸实业有限公司
DONGGUAN UMAX ENTERPRISE LIMITED

APPD: Jason MAT'L:
CHKD: Schumi FINISH:
DRWN: Lei Songping Q'TY:

TITLE: SFP CAGE 1x1 NICKEL PLATING Through Hole-Solder			
PART NO. UMAX7101201			
DWG NO. C-UMAX7D1018			
	UNITS	SCALE	SHEET
	MM	1 : 1	3 OF 4
		REV	0



RECOMMENDED SFP HOST BOARD LAYOUT
 (ONE SIDE CAGE MOUNTING)
 (SCALE 4:1)

				TOLERANCE		UMax conn 东莞市友贸实业有限公司 DONGGUAN UMAX ENTERPRISE LIMITED		TITLE: SFP CAGE 1x1 NICKEL PLATING Through Hole-Solder					
				LINEAR	ANGLES			PART NO. UMAX7101201					
				X \pm 0.40	X' \pm 3°	APPD: Jason		DWG NO. C-UMAX7D1018		UNITS	SCALE	SHEET	REV
				.X \pm 0.30	.X' \pm	MAT'L:			MM	1 : 1	4 OF 4	0	
				.XX \pm 0.20	.XX' \pm	CHKD: Schumi							FINISH:
REV	ECN NO.	NAME	DATE	.XXX \pm 0.10	.XXX' \pm	DRWN: Lei Songping		Q'TY:					