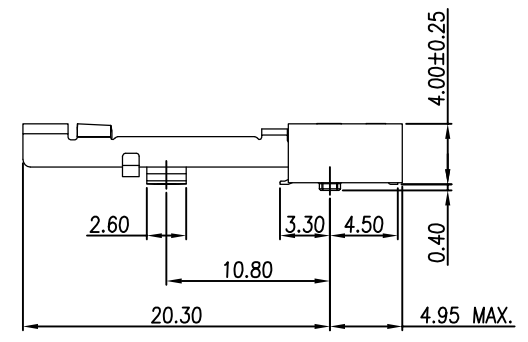
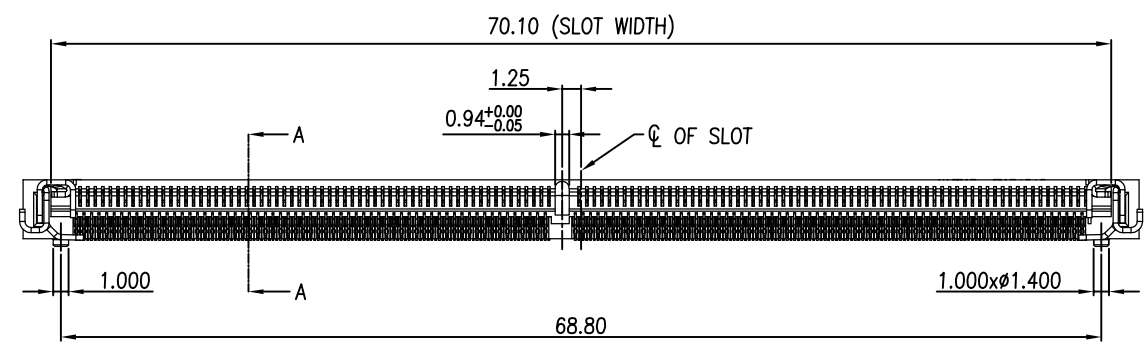
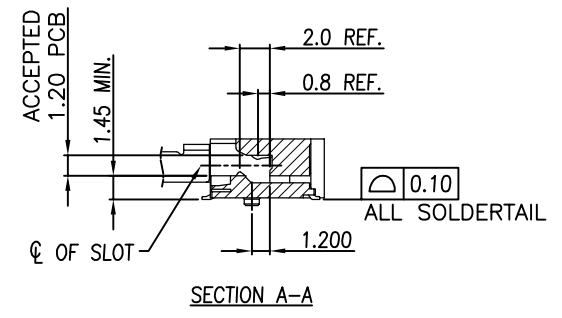
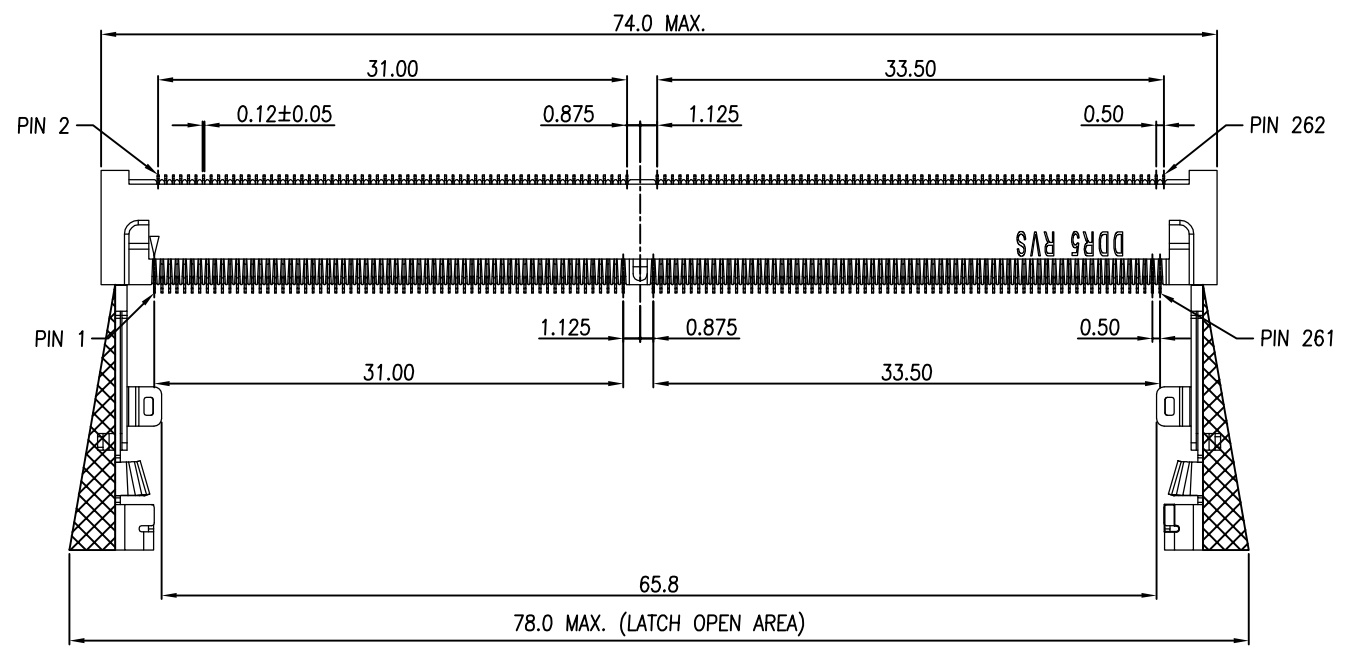




REVERSE ORIENTATION



				TOLERANCE		<b>UMax</b> 东莞市友贸实业有限公司 <b>conn</b> DONGGUAN UMAX ENTERPRISE LIMITED		TITLE: DDR5 SO DIMM, 0.50Pitch, 262P, SMT TYPE					
				LINEAR	ANGLES			PART NO. 90415-40XXRX					
				X.±0.40	X'±	APPD:	Jason	MAT'L:	DWG NO. C-90415				
				.X±0.30	.X'±	CHKD:	Schumi	FINISH:		UNITS	SCALE	SHEET	REV
REV	SEE SHEET 1	ECN NO.	NAME	DATE	.XX±0.20	.XX'±	DRWN:	Schumi		Q'TY:	MM	1 : 1	2 OF 5
					.XXX±0.10	.XXX'±			CUSTOMER				

NOTES:

1. MATERIAL :

- 1.1 HOUSING: LCP WITH 30% GF, UL94 V-0, BLACK COLOR,
- 1.2 CONTACT: COPPER ALLOY.
- 1.3 LATCH: STAINLESS STEEL.

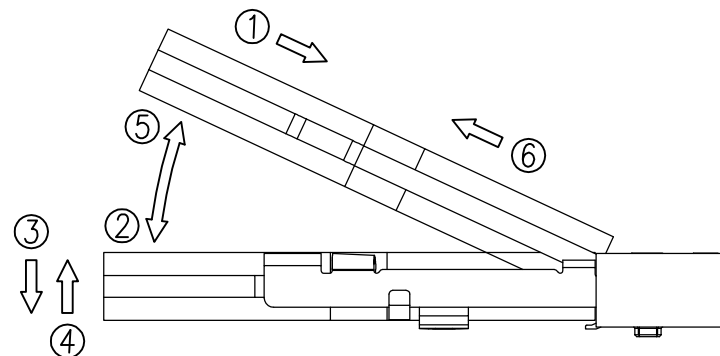
2. FINISH :

2.1 CONTACT

[SEE TABLE] GOLD PLATING ON THE CONTACT AREA.  
 GOLD PLATING ON THE SOLDERING AREA.  
 50u" NICKEL UNDERPLATING OVERALL.

2.2 LATCH

100u" MATTE-TIN PLATING ON THE SOLDERING AREA.  
 50u" NICKEL UNDERPLATING OVERALL.



RECOMMENDED OPERATING

MATING: ① INSERTING(25°) → ② ROTATING → ③ FIXED  
 UNMATING: ④ UNFIXED → ⑤ ROTATING → ⑥ WITHDRAWING

PART NO.:

90415 - 40 XX X X

40: 4.0mm HEIGHT

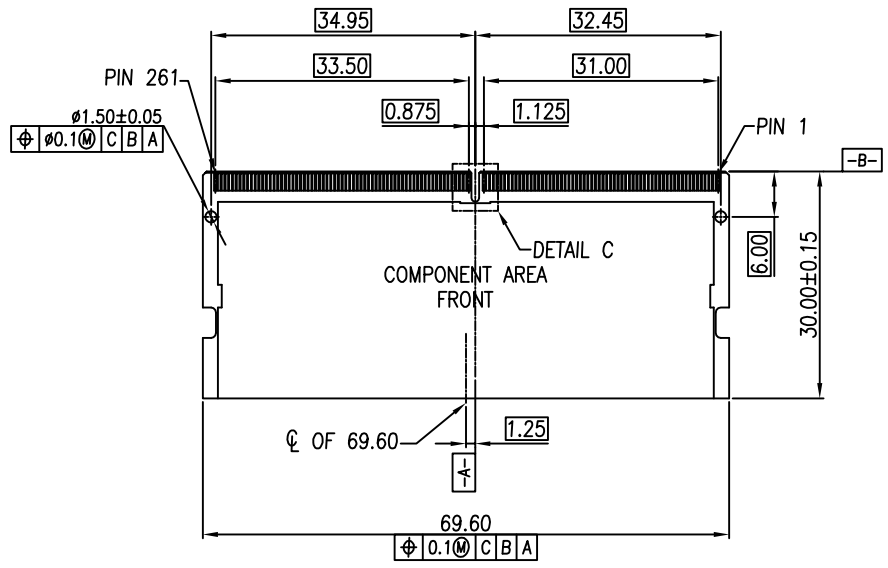
CONTACT AREA PLATING

- 01: 1u" Au
- 15: 15u" Au
- 30: 30u" Au

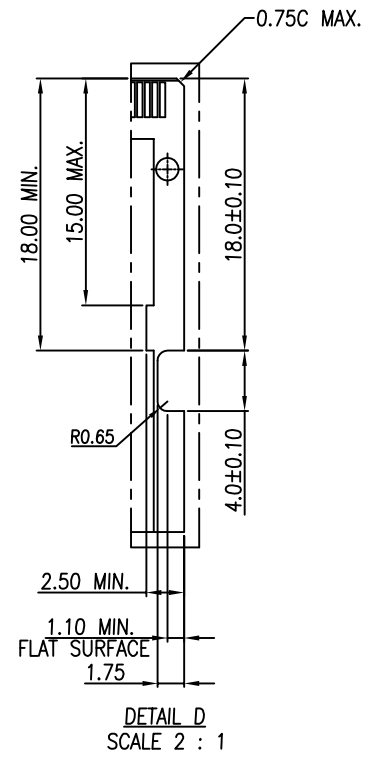
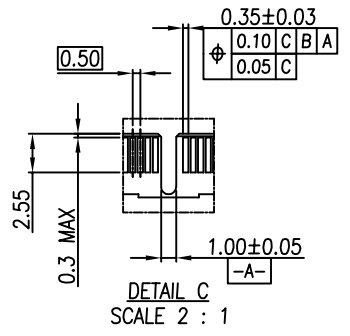
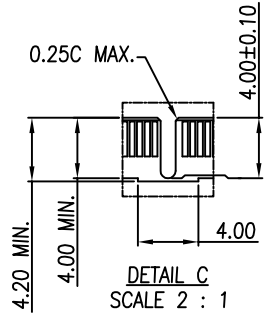
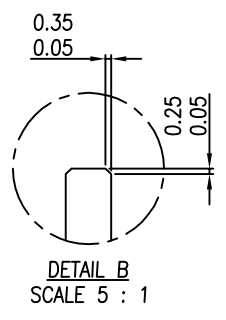
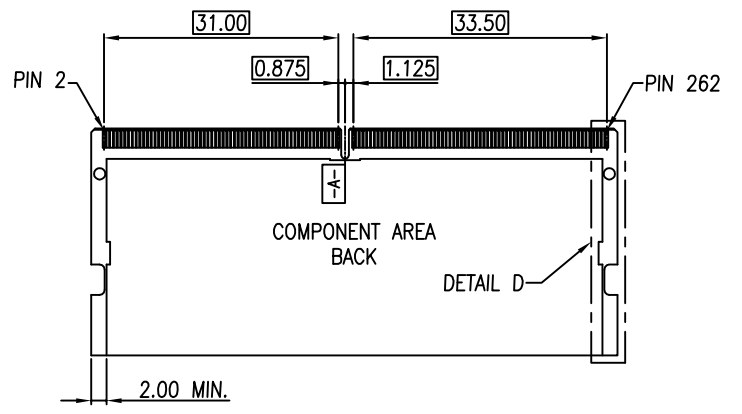
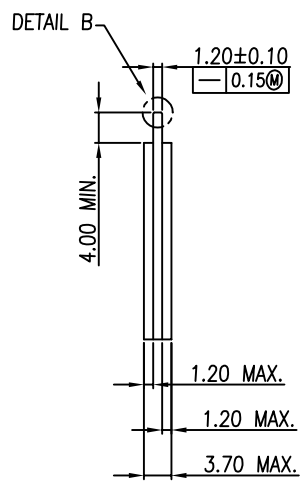
PACKING OPTIONS  
 R: TAPE & REEL

ORIENTATION  
 S: STANDARD  
 R: REVERSE

TOLERANCE		UMax 东莞市友贸实业有限公司 DONGGUAN UMAX ENTERPRISE LIMITED		TITLE: DDR5 SO DIMM, 0.50Pitch, 262P, SMT TYPE					
LINEAR	ANGLES			PART NO. 90415-40XXXX					
X.±	X'.±	APPD:	Jason	MAT'L:	DWG NO. C-90415				
.X±	.X'±	CHKD:	Schumi	FINISH:		UNITS	SCALE	SHEET	REV
.XX±	.XX'±	DRWN:	Schumi	Q'TY:		MM	1 : 1	3 OF 5	0
.XXX±	.XXX'±				CUSTOMER				



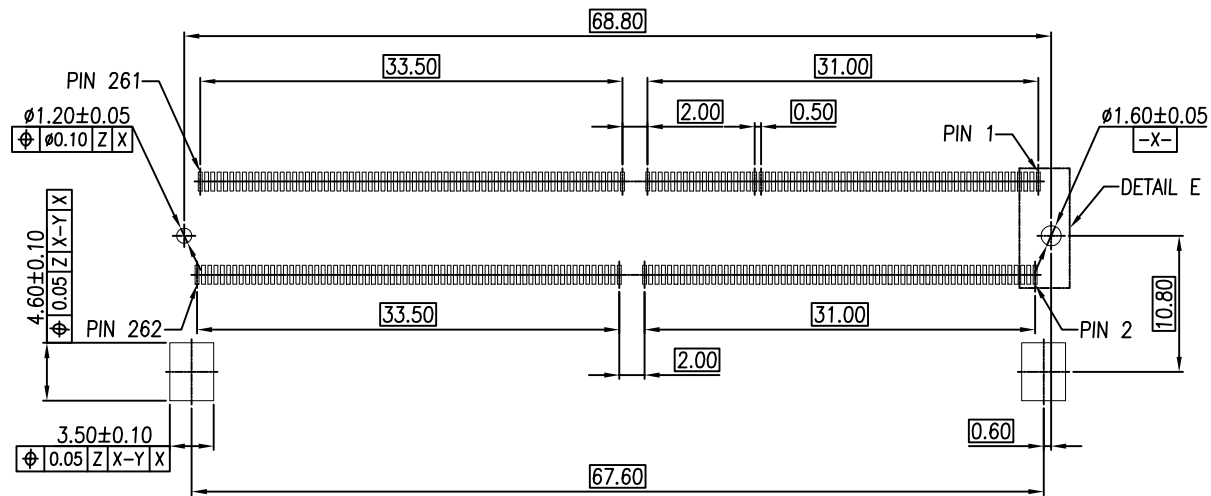
RECOMMENDED CRAD LAYOUT



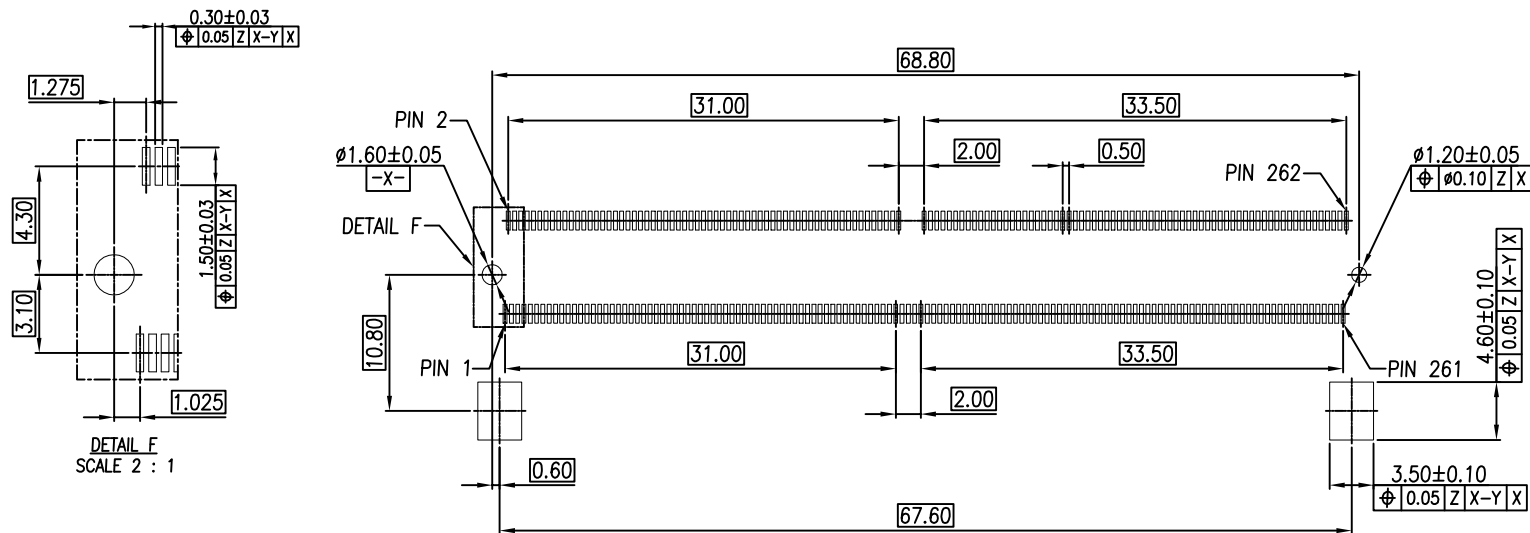
REV	ECN NO.	NAME	DATE
	SEE SHEET 1		

TOLERANCE		UMax 东莞市友贸实业有限公司 conn DONGGUAN UMAX ENTERPRISE LIMITED		TITLE: DDR5 SO DIMM, 0.50Pitch, 262P, SMT TYPE	
LINEAR	ANGLES	APPD:	Jason	MAT'L:	
X±0.40	X'±	CHKD:	Schumi	FINISH:	
.X±0.30	.X'±	DRWN:	Schumi	Q'TY:	
.XX±0.20	.XX'±				
.XXX±0.10	.XXX'±				

PART NO. 90415-40XXXX				UNITS	SCALE	SHEET	REV
DWG NO. C-90415				MM	1 : 1	4 OF 5	0



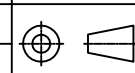
RECOMMENDED PCB LAYOUT  
STANDARD ORIENTATION



RECOMMENDED PCB LAYOUT  
REVERSE ORIENTATION

TOLERANCE		UMax 东莞市友贸实业有限公司 conn DONGGUAN UMAX ENTERPRISE LIMITED		TITLE: DDR5 SO DIMM, 0.50Pitch, 262P, SMT TYPE	
LINEAR	ANGLES	APPD:	MAT'L:	PART NO. 90415-40XXXX	
X.±	X'±	Jason		DWG NO. C-90415	
.X±	.X'±	CHKD: Schumi	FINISH:	UNITS: MM	SCALE: 1 : 1
.XXX±	.XXX'±	DRWN: Schumi	Q'TY:		

REV	SEE SHEET 1	NAME	DATE
	ECN NO.		



UNITS	SCALE	SHEET	REV
MM	1 : 1	5 OF 5	0