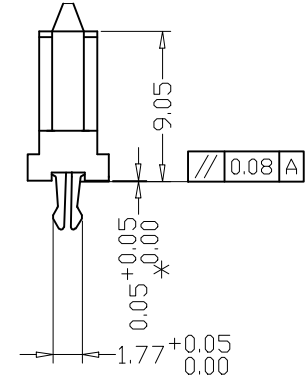
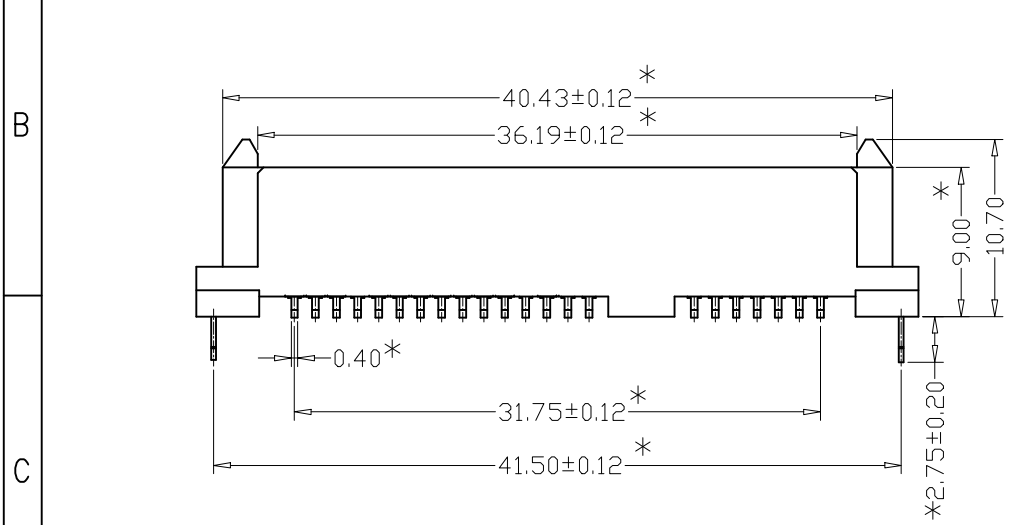
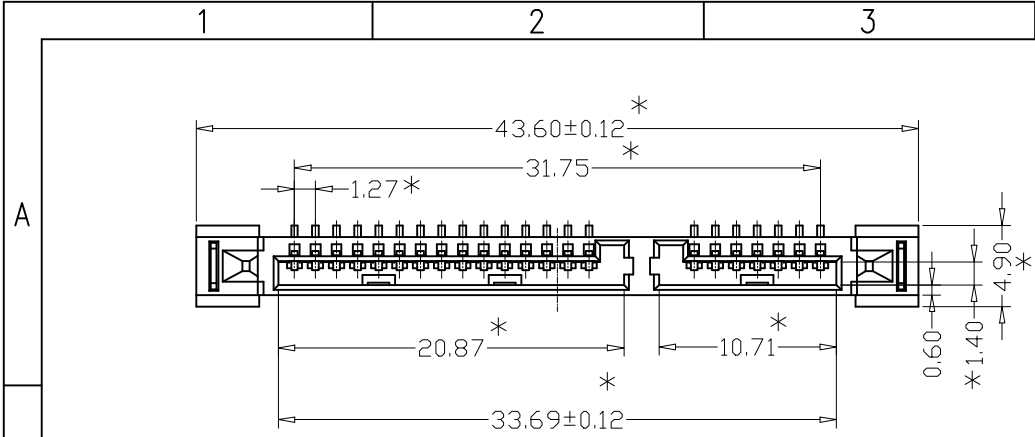
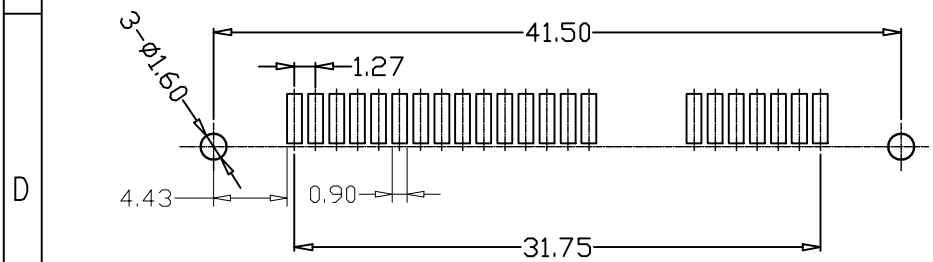


REV.		ECN NO.	DESCRIPTION	DRWN	APPD.	DATE
REV		ECN_NO.	DESCRIPTION	DR.	APPD.	DATE



**SPEC:**  
**Current Rating: 3Amps**  
**Insulator Resistance: 5000mΩ Min**  
**Dielectric Withstanding: AC 500V**  
**Operating Temperature: -40° to+105°**  
**Contact Material: Copper alloy T=0.25**  
**Insulator Material: Polyester, UL 94V-0 LCP**  
**Finish :**  
**Gold/tin plating on contact area**  
**100u" min. Tin-Lead Plating on soldertails**  
**50u" min. nickel under plating over all tin,**  
**Max. Processing Temp:**  
**230C° for 30-60seconds (260C° for 10 secinds)**



UNITS mm	SCALE SCALE	REV. REV.	SHEET PAGE	<b>深圳市连欣科技有限公司</b>	
 GENERAL TOLERANCE 0. 0.0 0.00 0°. 0°. 0.0°		DATE	D_DATE	TITLE	
		DR. DESIGNER	CHK.	MAT'L MATERIAL	PART NO. <b>XUTS-2218-0127</b>
		APPD.	FINISH	C	DWG.NO. DWG_NO.
					SIZE A4