

Transient Voltage Suppressor

Features

- IEC 61000-4-2(ESD) $\pm 15\text{KV}$ (air), $\pm 8\text{KV}$ (contact)
- IEC61000-4-5(Lightning) 4.5 A (8/20 μS)
- Low operating voltage and low clamping
- Package optimized for high-speed lines
- Moisture sensitivity level: Level 3
- Ultra-small package: DFN1006-2L

Exterior



DFN1006-2L


Application Information

- Portable Electronics
- Desktops, servers and Notebooks
- Cellular Phones
- Digital Ports

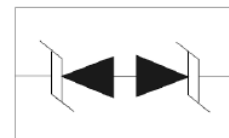
Package (top view)



Agency Approvals

Icon	Description
RoHS	Compliance with 2011/65/EU
HF	Compliance with IEC61249-2-21:2003
	Mean lead free

Schematic Symbol



Part Number and Electrical Parameter

Part Number	$I_{\text{DRM}}@V_{\text{DRM}}$		$V_{\text{BR}}@I_{\text{R}}$		$V_{\text{c}}@I_{\text{pp}}^{\text{①}}$		$V_{\text{c}}@I_{\text{pp}}^{\text{①}}$		$\text{Co}^{\text{②}}$	$\text{Co}^{\text{②}}$
	μA	V	V	mA	V	A	V	A	pF	pF
	MAX		MIN		MAX		MAX		TYP	MAX
BV-FA05ZC	1.0	5.0	6.0	1	11.0	1	15	4.5	10	15

Absolute maximum ratings measured at $T = 25^{\circ}\text{C}$ RH = 45%-75% (unless otherwise noted).

① Surge Waveform: 8/20 μS .

② Off-state capacitance is measured in $V_{\text{DC}}=0\text{V}$, $f=1\text{MHz}$

Transient Voltage Suppressor

Part Numbering System

Mark

BV FA 05 Z C
(1) (2) (3) (4) (5)

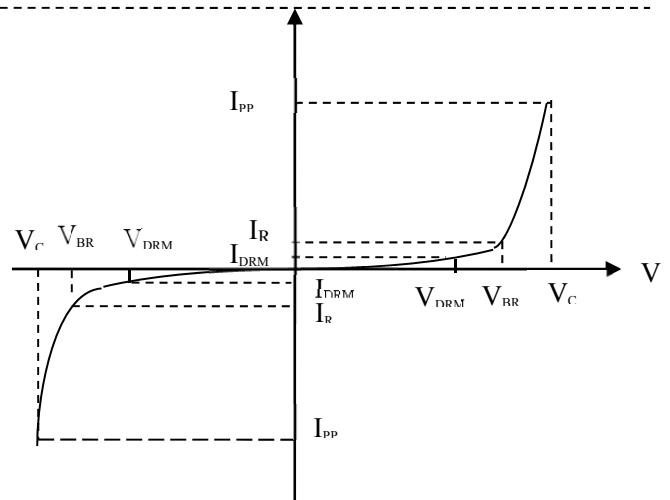


PB: Part Number

- (1) Bencent Transient Voltage Suppressor
- (2) Package: DFN1006
- (3) Stand-off Voltage: 5V
- (4) Normal Capacitance
- (5) Bidirectional

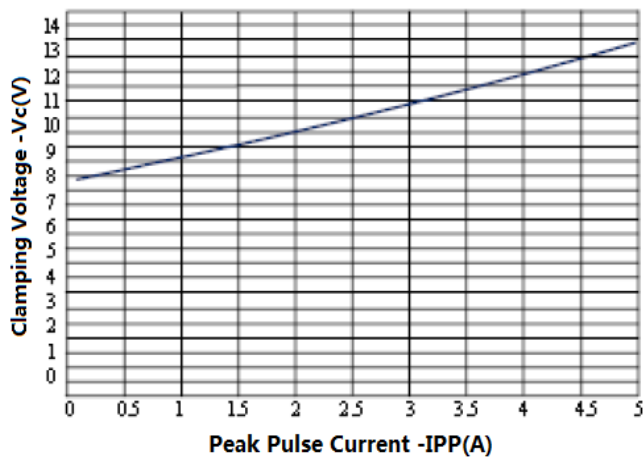
V-I Curve

Parameters	Definition
V_C	Clamping voltage
I_{PP}	Peak pulse current
V_{DRM}	Stand-off Voltage
V_{BR}	Breakdown Voltage
I_{DRM}	Reverse Leakage Current
I_R	Test current
P_{pp}	Peak Pulse Power Dissipation

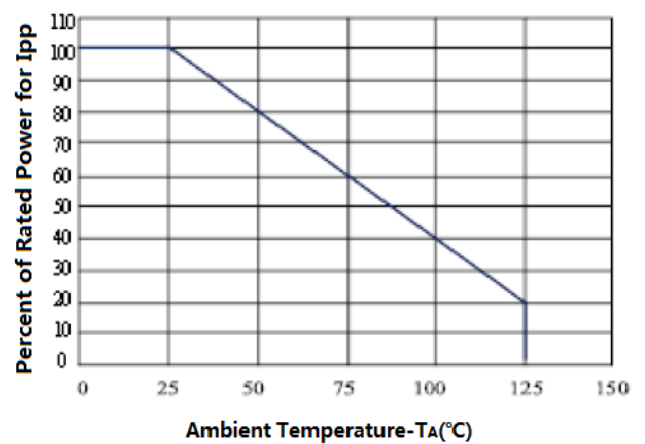


Typical Characteristics

Clamping Voltage vs. Peak pulse Current



Power Derating Curve



Transient Voltage Suppressor

Version: A1 2016-12-25

Thermal Considerations

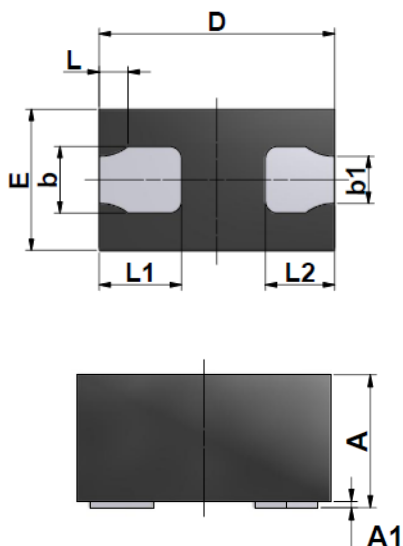
symbol	Parameter	Value	Unit
T_j	Operating Junction Temperature Range	-55 to+125	°C
T_s	Storage Temperature Range	-55 to+150	°C

Environmental Characteristics

Testing items	Technical standards
HAST	Temperature: $130\pm 2^\circ\text{C}$ Bias= $80\%V_{\text{DRM}}$ Humidity: $85\pm 5\%$ Time:96H
High Temperature Storage Test	Temperature: 150°C Time:168H
High-low Temperature Cycle test	Temperature: From -40°C to 125°C Dwell time : 30min,100cycles
High Temperature &High Humidity Test	Temperature: 85°C Humidity:85% Time:168H
Pressure cooker Test	Temperature: 121°C , 2atm. Humidity:100% Time:24H
Resistance of soldering heat	Temperature: $260\pm 5^\circ\text{C}$ Time of dip soldering: 10s, 3times

Note: The above testing items can be specified by customer's special request

Product Dimensions

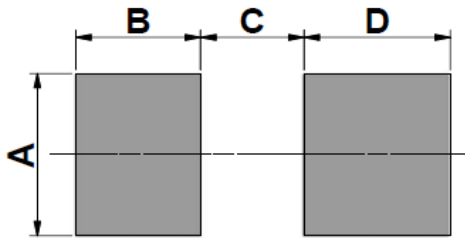


REF	mm	inch
A	0.450-0.550	0.0177-0.0217
A1	0.000-0.050	0.000-0.0020
D	0.950-1.050	0.0374-0.0413
E	0.550-0.650	0.0217-0.0256
b	0.275-0.295	0.0108-0.0116
b1	0.190-0.210	0.0075-0.0083
L	0.095-0.105	0.0037-0.0041
L1	0.330-0.370	0.0130-0.0146
L2	0.280-0.320	0.0110-0.0126

Transient Voltage Suppressor

Version: A1 2016-12-25

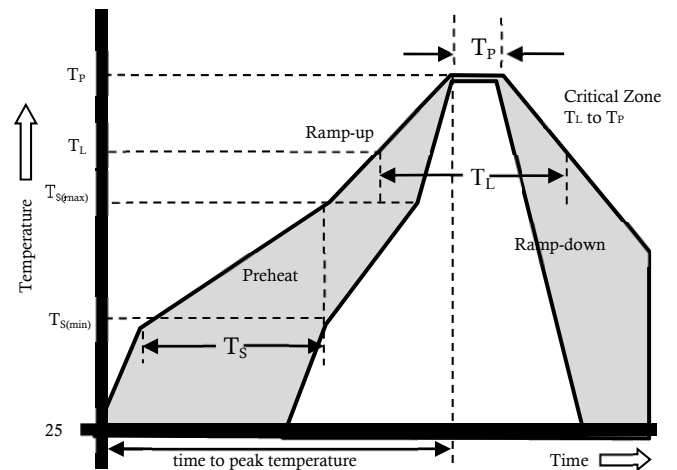
Recommended Soldering Pad



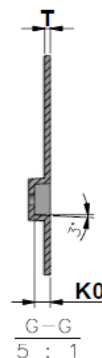
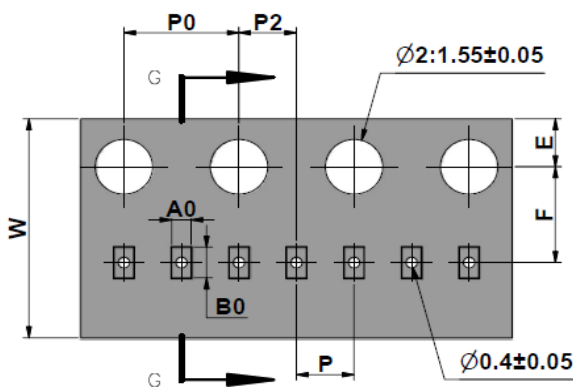
REF	mm	inch
A	0.60	0.024
B	0.55	0.022
C	0.30	0.012
D	0.55	0.022

Reflow Profile

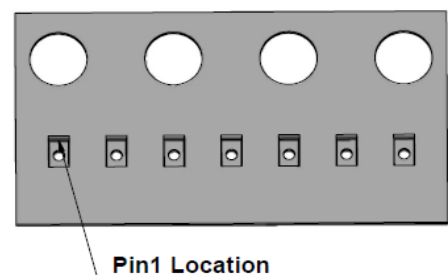
Reflow Condition		Pb-Free assembly
Pre Heat	Temperature Min	150°C
	Temperature Max	200°C
	Time (Min to Max)	60 – 180 secs
Average ramp up rate (Liquid) T _{amp} (T _L) to peak		3°C/s Max
T _{S(max)} to T _L - Ramp-up Rate		3°C/s Max
Reflow	- Temperature (T _L) (Liquid)	217°C
	- Temperature (T _L)	60 – 150 secs
Peak Temperature (T _P)		260+0/-5 °C
Time within 5°C of actual peak Temperature (T _P)		30secs
Ramp-down Rate		6°C/s Max
Time 25°C to peak Temperature (T _P)		8 mins Max.
Do not exceed		260°C

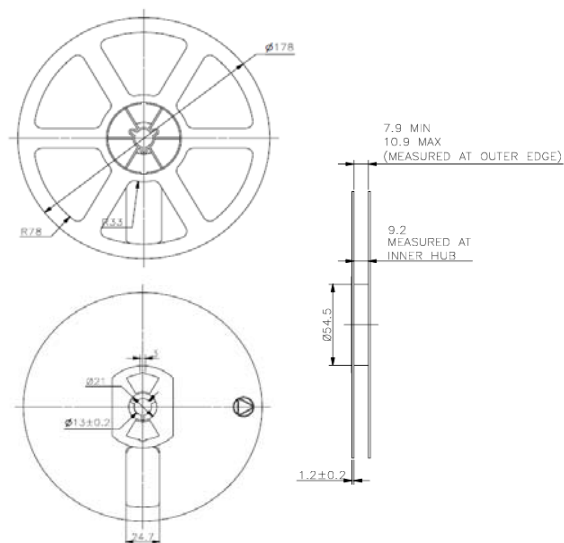


Package Reel Information



Device Orientation In Tape





REF	mm	inch
A0	0.70±0.10	0.028±0.004
B0	1.15±0.10	0.045±0.004
K0	0.55±0.05	0.022±0.002
T	0.22±0.05	0.009±0.002
P	2.00±0.10	0.079±0.004
P0	4.00±0.10	0.157±0.004
P2	2.00±0.10	0.079±0.004
E	1.75±0.10	0.069±0.004
F	3.50±0.10	0.138±0.004
W	8.00±0.20	0.315±0.008

OUTLINE	REEL (PCS)	PER CARTON (PCS)	REEL DIAMETERS (mm)	CARTON SIZE(mm)		
				L	W	H
TAPING	10,000	300,000	178	390	370	220