



REV.	ECN NO.	REVISED	DATE

NOTE:

1.MATERIAL:

- a.HOUSING:PA46 BLACK
- b.CONTACT:STAINLESS STEEL  
(SURFACE PLATING: Au (1U"))

SEE ORDERING INFORMATION

2.ELECTRIC:

- a.DIELECTNIC VOLTAGE: 500V AC ONE MINUTE
- b.OPERATING TEMPERATURE: -25°C~ +85°C

### ORDERING INFORMATION

## BH-AA-B6AA044

电池盒

电池型号

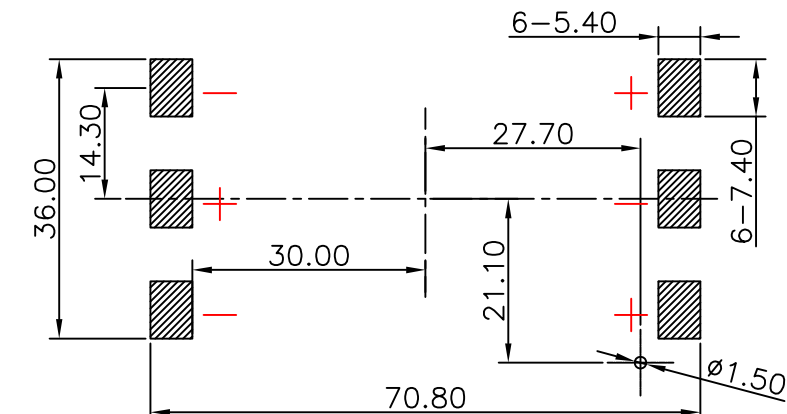
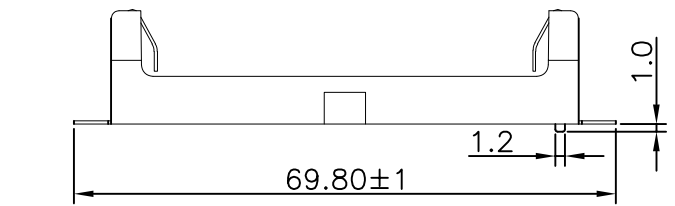
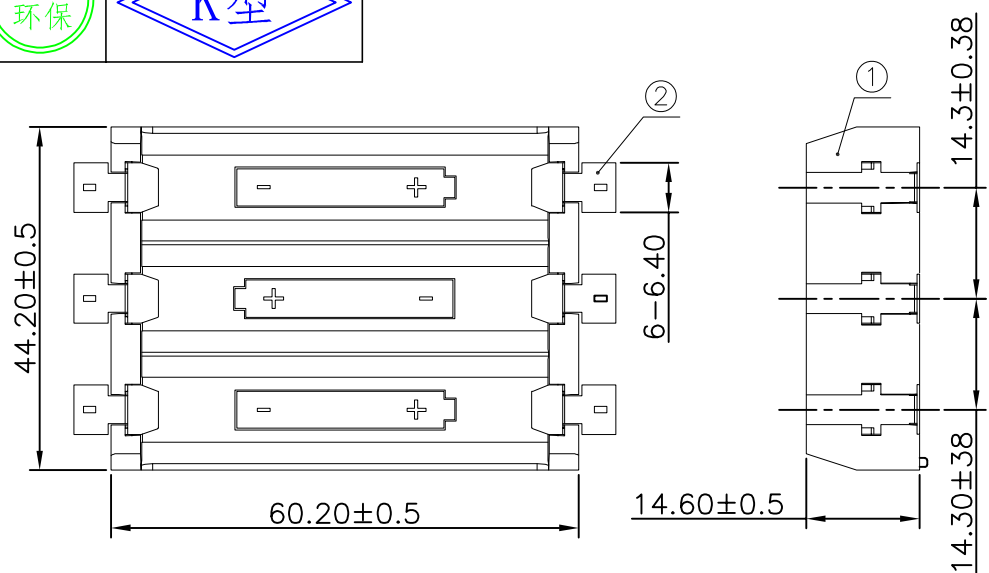
SMT 180° TYPE

PLATING:

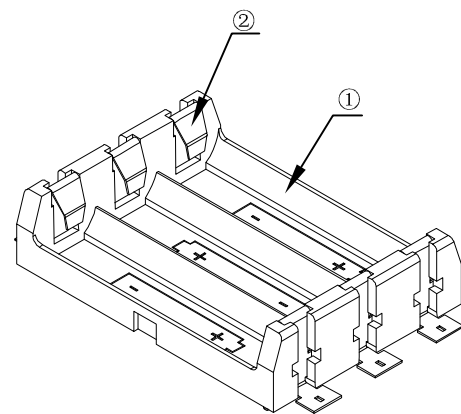
- A-Au1U"
- J-Ni100U"~120U"
- K-Sn100U"~120U"

MATERIAL:

- 1A-PBT BLACK
- 1B-PA66 BLACK
- 2A-PPA BROWN
- 2B-PPA BLACK
- 3A-PPS BROWN
- 3B-PPS BLACK
- 4A-LCP WHITE
- 4B-LCP BLACK
- 5A-ABS BLACK
- 5B-NYLON BLACK
- 6A-PA46 BLACK



PCB Layout Diagram  
TOP View



UNLESS OTHERWISE SPECIFIED TOLERANCES		<b>MYOUNG 美用</b> <a href="http://www.meiyangdz.com">www.meiyangdz.com</a>	
DECIMALS: X :±0.30 X.X :±0.25 X.XX :±0.20 X.XXX :±0.10	ANGLES: X :±1° X.X :±0.5°	DSND YangFeng	DATE 2023-09-16
WEIGHT: SHEET 1 OF 1		CHKD ZhouRuicai	DATE 2023-09-16
		APVD XueShunyong	DATE 2023-09-16
TITLE: 电池盒BH-AA-3J Au SMT PA46		PART NO.:	
SCALE: VIEW:		BH-AA-B6AA044	
UNIT: mm		REV.: A/0	OBJECT: MY
DRAW NO.:WD-CP-0337			

②	TERMINAL	6	STAINLESS STEEL, T=0.35mm	Au-Plating
①	HOUSING	1	PA46	BLACK
NO.	PART NAME	Q'TY	MATERIAL	PLATING & COLOR