

THIS DRAWING IS UNPUBLISHED. RELEASED FOR PUBLICATION
 © COPYRIGHT - By - ALL RIGHTS RESERVED.

LOC		DIST		REVISIONS			
P	LTR	DESCRIPTION		DATE	DWN	APVD	
CM	00	S		REVISED PER ECR-20-000541	15MAY2020	PC	SW

1 MATERIAL: CONNECTOR - NYLON UL94-V2 (RED)
 CONTACTS - 0.30[.012] THICK COPPER ALLOY
 BRIGHT TIN-LEAD 0.00203[.000080] MIN. THICK
 FOR CONTACTS 640468-2 THRU 2-640468-8.
 MATTE WHISKER MITIGATED TIN PLATE 0.00203[.000080] MIN. THICK
 OVER NICKEL UNDERPLATE FOR CONTACTS 3-640468-2 THRU
 5-640468-8.

2 CONTACTS ACCEPT 22 AWG WIRE WITH 1.52[.060] MAX
 INSULATION DIAMETER.

3 CONTACTS MUST ACCEPT 0.64±0.03[.025±.001] SQUARE
 POST AND REMAIN LOCKED IN POSITION.

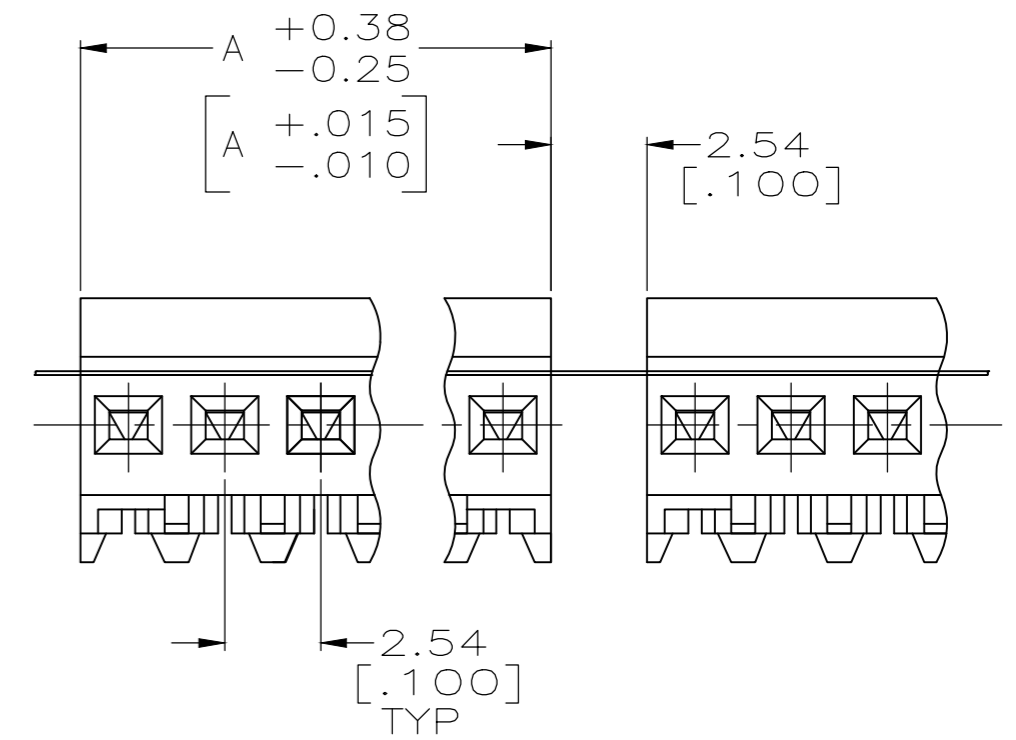
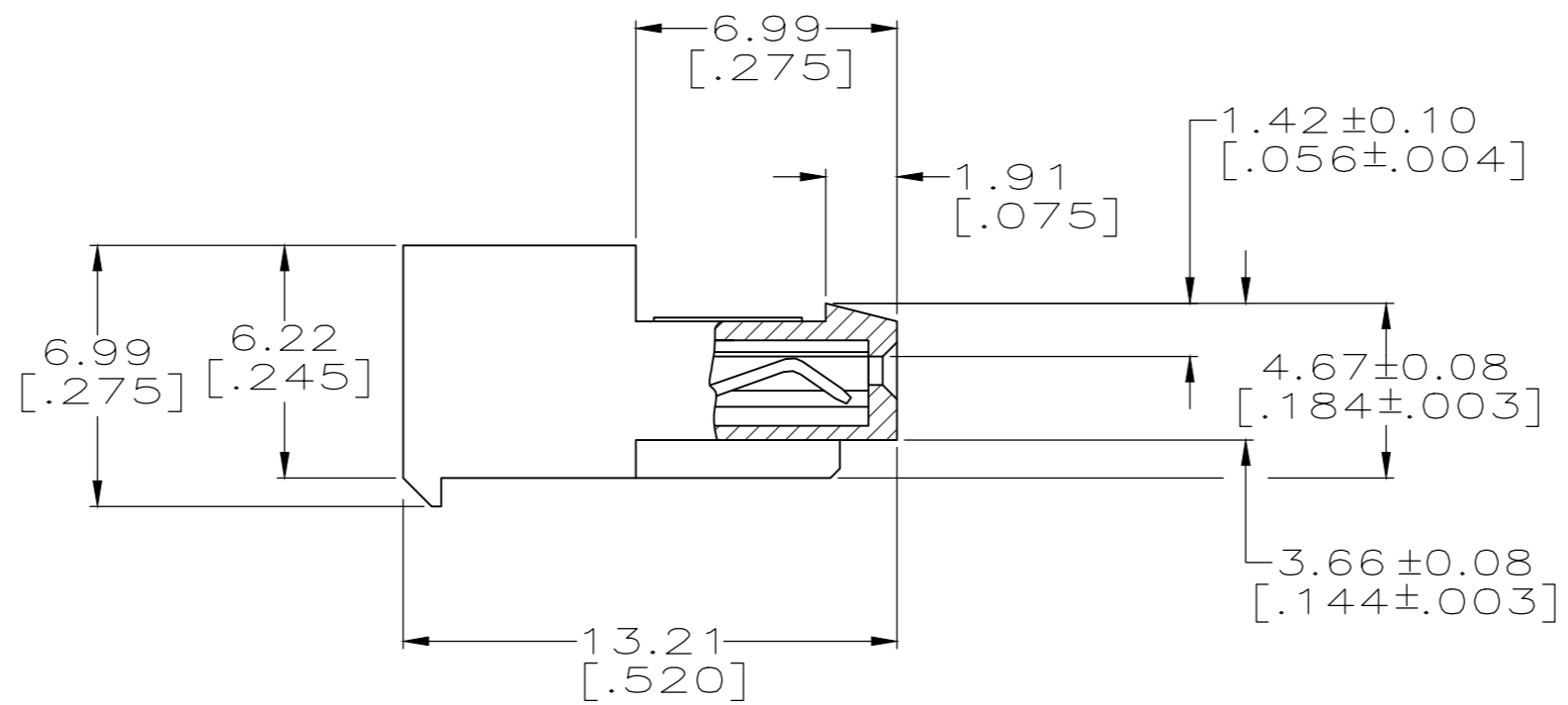
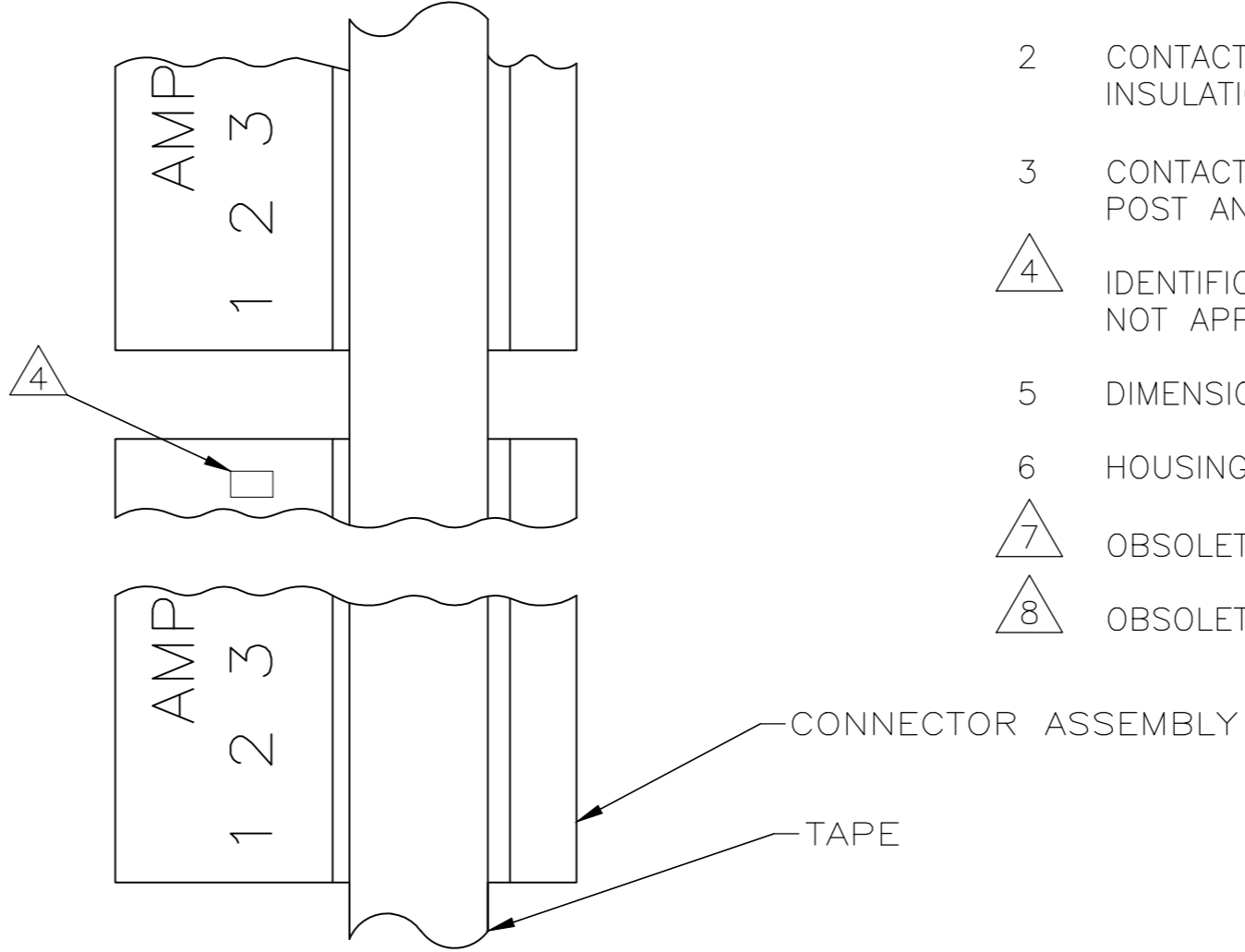
4 IDENTIFICATION NUMBER FOR LAST CIRCUIT MAY
 NOT APPEAR ON ALL ASSEMBLIES.

5 DIMENSIONS IN BRACKETS ARE IN INCHES.

6 HOUSING FEATURES ARE: CLOSED END WITH LOCKING RAMP

7 OBSOLETE PARTS: OBSOLETE CIS STREAMLINING PER D.RENAUD/D.SINISI

8 OBSOLETE PARTS



YES	71.12[2.800]	28	5-640468-8
YES	68.58[2.700]	27	5-640468-7
YES	66.04[2.600]	26	5-640468-6
YES	63.50[2.500]	25	5-640468-5
YES	60.96[2.400]	24	5-640468-4
YES	58.42[2.300]	23	5-640468-3
YES	55.88[2.200]	22	5-640468-2
YES	53.34[2.100]	21	5-640468-1
YES	50.80[2.000]	20	5-640468-0
YES	48.26[1.900]	19	4-640468-9
YES	45.72[1.800]	18	4-640468-8
YES	43.18[1.700]	17	4-640468-7
YES	40.64[1.600]	16	4-640468-6
YES	38.10[1.500]	15	4-640468-5
YES	35.56[1.400]	14	4-640468-4
YES	33.02[1.300]	13	4-640468-3
YES	30.48[1.200]	12	4-640468-2
YES	27.94[1.100]	11	4-640468-1
YES	25.40[1.000]	10	4-640468-0
YES	22.86[.900]	9	3-640468-9
YES	20.32[.800]	8	3-640468-8
YES	17.78[.700]	7	3-640468-7
YES	15.24[.600]	6	3-640468-6
YES	12.70[.500]	5	3-640468-5
YES	10.16[.400]	4	3-640468-4
YES	7.62[.300]	3	3-640468-3
YES	5.08[.200]	2	3-640468-2

NO	71.12[2.800]	28	2-640468-8
NO	68.58[2.700]	27	2-640468-7
NO	66.04[2.600]	26	2-640468-6
NO	63.50[2.500]	25	2-640468-5
NO	60.96[2.400]	24	2-640468-4
NO	58.42[2.300]	23	2-640468-3
NO	55.88[2.200]	22	2-640468-2
NO	53.34[2.100]	21	2-640468-1
NO	50.80[2.000]	20	2-640468-0
NO	48.26[1.900]	19	1-640468-9
NO	45.72[1.800]	18	1-640468-8
NO	43.18[1.700]	17	1-640468-7
NO	40.64[1.600]	16	1-640468-6
NO	38.10[1.500]	15	1-640468-5
NO	35.56[1.400]	14	1-640468-4
NO	33.02[1.300]	13	1-640468-3
NO	30.48[1.200]	12	1-640468-2
NO	27.94[1.100]	11	1-640468-1
NO	25.40[1.000]	10	1-640468-0
NO	22.86[.900]	9	640468-9
NO	20.32[.800]	8	640468-8
NO	17.78[.700]	7	640468-7
NO	15.24[.600]	6	640468-6
NO	12.70[.500]	5	640468-5
NO	10.16[.400]	4	640468-4
NO	7.62[.300]	3	640468-3
NO	5.08[.200]	2	640468-2

SUPERCEDED



SUPERCEDED



LEADFREE	DIM A	NO. OF CIRCUITS	PART NO.

THIS DRAWING IS A CONTROLLED DOCUMENT.		DWN S. CARPENTER 08AUG2003	TE Connectivity	
DIMENSIONS: mm [INCHES]		CHK D. BOSSI 08AUG2003		
TOLERANCES UNLESS OTHERWISE SPECIFIED:		APVD D. BOSSI 08AUG2003	NAME	
0 PLC ±		PRODUCT SPEC		MTA-100 CONNECTOR ASSEMBLY, 22 AWG, STANDARD, TAPE MOUNTED
1 PLC ±		APPLICATION SPEC		
2 PLC ±		108-1050		SIZE
3 PLC ± 0.13 [.005]		114-1019		CAGE CODE
4 PLC ±		WEIGHT		DRAWING NO
ANGLES ±		A2 00779		RESTRICTED TO
FINISH		C=640468		
1		CUSTOMER DRAWING		SCALE 1:1
				SHEET 1 of 1
				REV S

640468

B

A