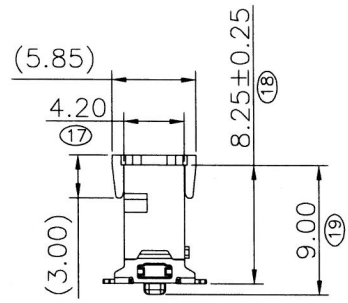
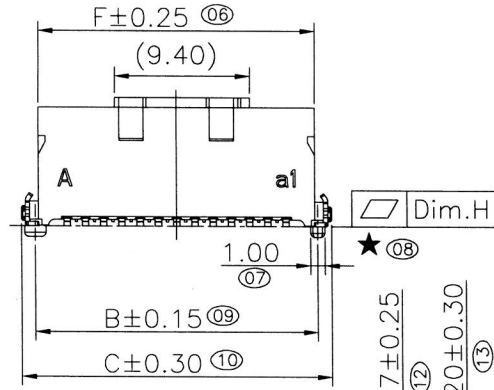
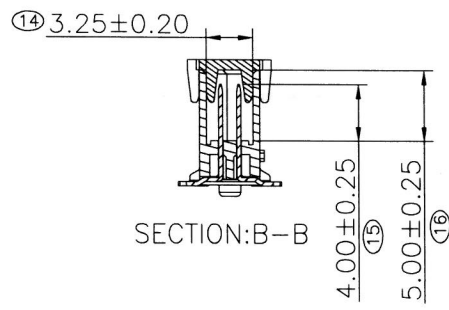
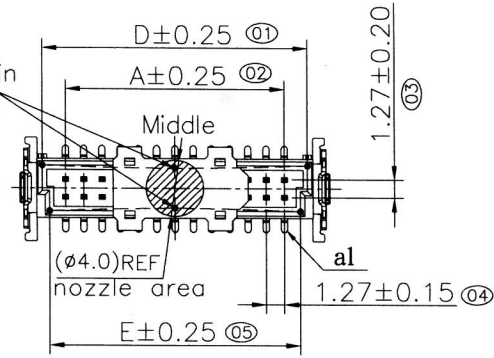


REV.	LOCAS.	DESCRIPTION	DATE	DRAWN
01	NEW	BATCH PRODUCTION INITIAL RELEASE.	2022.04.19	劉先平

Before reflow 3.07 Min  
After reflow 2.90 Min



Pin No.	Dim.H
≤25pin	0.12
>25pin	0.15

PIN NO.	A	B	C	D	E	F
2*05	5.08	9.50	11.43	8.30	7.30	9.08
2*06	6.35	10.77	12.70	9.57	8.57	10.35
2*08	8.89	13.31	15.24	12.11	11.11	12.89
2*10	11.43	15.85	17.78	14.65	13.65	15.43
2*13	15.24	19.66	21.59	18.46	17.46	19.24
2*16	19.05	23.47	25.40	22.27	21.27	23.05
2*20	24.13	28.55	30.48	27.35	26.35	28.13
2*25	30.48	34.90	36.83	33.70	32.70	34.48
2*34	41.91	46.33	48.26	45.13	44.13	45.91
2*40	49.53	53.95	55.88	52.75	51.75	53.53

Specifications  
 Current Rating:1.70Amp/PIN.  
 Insulation Resistance:10000MΩMin.  
 Dielectric Withstanding Voltage:500VAC  
 Contact Resistance:25mΩMax.  
 Operating Temperature:-55°C to +125°C  
 Materials  
 Contact Material:Copper Alloy  
 Insulator Material:High Temperature Thermoplastic, UL 94V-0 LCP or the equivalent material  
 Colour:Black  
 ☆ All materials must meet Greenconn hazardous substances control standards.  
 "★": Critical Characteristics, indicates product characteristics, functionalities, and manufacturing processes regarding to customer's specifications  
 "☆": Safety Features indicates product characteristics, functionalities, and manufacturing processes complying to legal regulations stated by local government

### Ordering Information

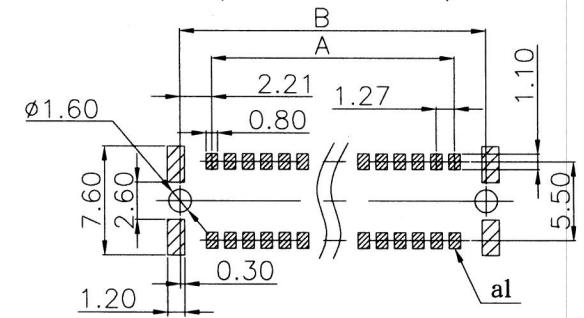
GBEC207 - XX XX B001 C 1 A X

No. of Pins per Row: 05,06,08,10,13, 16,20,25,34,40  
 Standard Plating: 79=5u"Au/80~160u"Matte Tin  
 Selective Plating: 34=10u"Gold/Gold Flash  
 05=1u"Au/80~160u"Matte Tin

Color: 1=Black  
 Standard Packing: F=cap+tape&reel  
 Selective Packing: E=cap+tube  
 C=tube

### Recommended P.C.Board Layout

(Tolerance:±0.05)



**Greenconn**  
 Website:www.greenconn.com  
 E-mail:sales@greenconn.com

3RD.ANG PROJ.	GENERAL TOLERANCE	
	X.±5.0'	X.±0.30
	.X'±3.0'	.X±0.25
	.XX'±2.0'	.XX±0.15
PAGE. 1/1	.XXX'±1.0'	.XXX±0.10

DESIGNED: 劉先平 DATE: 2022.04.19  
 CHECKED: 李林 DATE: 2022.4.19  
 APPROVED: 日期 DATE: 2022.04.19

DWG. NO. GBEC207-CB001  
 PART NO. GBEC207-XXXXB001C1AX

TITLE. PITCH 1.27 MALE SMC Q TYPE SMT TYPE CONNECTOR