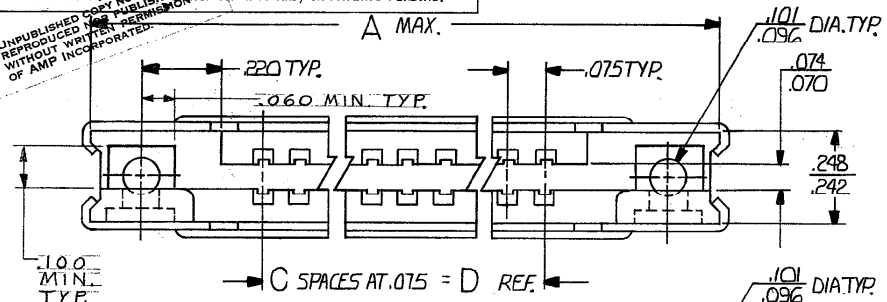


P	F	ZONE	LTR	DESCRIPTION	DATE	APPROVED
L	REV PER ECO	18-014506	CT	1-19	RL	

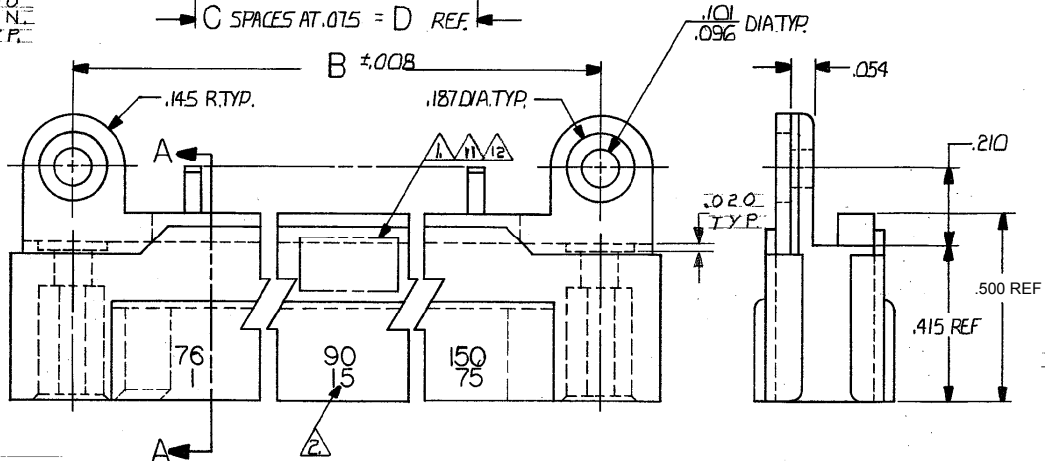
© COPYRIGHT 1977 BY AMP INCORPORATED, HARRISBURG, PA. ALL INTERNATIONAL RIGHTS RESERVED. AMP INCORPORATED PRODUCTS COVERED BY U.S. AND FOREIGN PATENTS AND/OR PATENTS PENDING.

UNPUBLISHED COPY THIS DRAWING REPRODUCED WITHOUT WRITTEN PERMISSION OF AMP INCORPORATED.

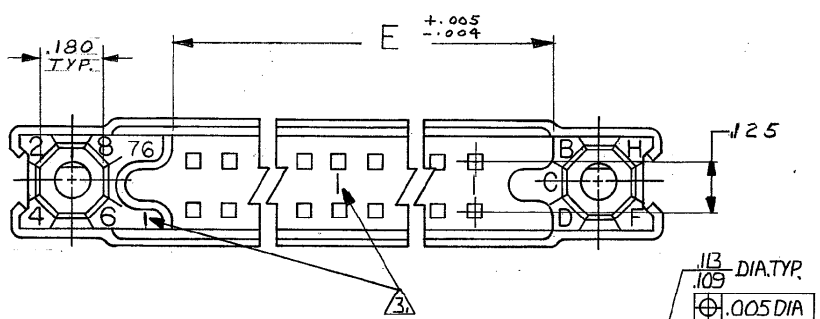
D
S



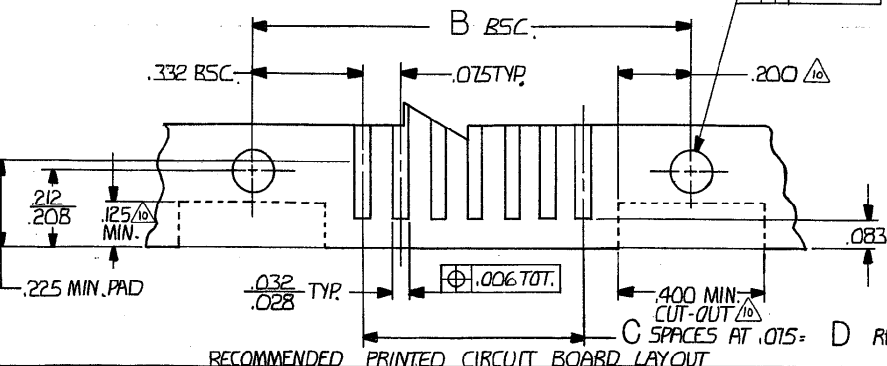
C



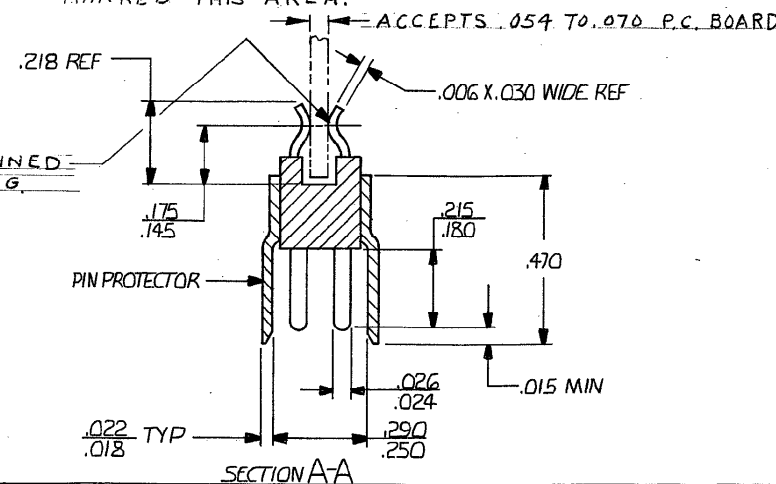
B



A



- 2. CUSTOMER PART NO. 90133-1, ADDED TO STAMPING.
- 1. MILITARY PART NUMBER, 00779, DATE CODE, TE PART NUMBER AND AMP MARKED IN THIS AREA, EITHER SIDE.
- 2. NUMBERS INDICATING EVERY 5 CAVITIES TO BE MARKED ON SIDE
- 3. NUMBERS, .062 HIGH, AND LINES INDICATING EVERY 5 CAVITIES MOLDED OR MARKED. SEE SHEET 20F2
- 4. MUST MEET ALL APPLICABLE REQUIREMENTS OF MIL-C-55302.
- 6. USES KEY 530341-1 AND RIVET 530347-1.
- 1. HOUSING MATERIAL: DIALYL PHTHALATE PER MIL-M-A TYPE SDG-F COLOR: BLUE.
- 2. CONTACT MATERIAL: BRASS PER MIL-C-55302 PLATED .000050 GOLD. OVER .000050 NICKEL.
- 3. PIN PROTECTOR MATERIAL: ALUMINUM PER MIL-C-55302.
- 4. OPTIONAL CUT-OUT FOR KEYING AFTER CONNECTOR IS MOUNTED.
- 5. MARKING: AMP PART NUMBER AND DATE CODE MARKED THIS AREA.



530785

UNLESS OTHERWISE SPECIFIED DIMENSIONS ARE IN INCHES. TOLERANCES ON: DECIMALS ±.005 ANGLES		CONTRACT NO		PART NO	
MATERIAL		DR Robert Ueber 1-10-77		AMP INCORPORATED Harrisburg, Pa.	
FINISH		CHK R. Williams 2-3-77		NAME BOX CONNECTOR, PIN HEADER, .075 GRID.	
APPD R. Williams 2-3-77		APPD R. Williams 2-3-77		SIZE CODE IDENT NO DRAWING NO	
DSGN APPD		OTHER APPD		C 00779 530785	
SCALE 4-1		SHEET 1 OF 2		REV L	

THIS DRAWING IS UNPUBLISHED. RELEASED FOR PUBLICATION
 © COPYRIGHT - TE Connectivity ALL RIGHTS RESERVED.

REVISIONS				
P	LTR	DESCRIPTION	DATE	APVD
-		SEE SHEET #1	-	-

M55302/23-24	46/1		3.575	3.300	44	3.965	4.267	90	1-530785-7
M55302/23-16	6/1		.575	.300	4	.965	1.267	10	1-530785-6
M55302/23-17	11/1		.950	.675	9	1.340	1.642	20	1-530785-5
M55302/23-18	16/1		1.325	1.050	14	1.715	2.017	30	1-530785-4
M55302/23-19	21/1		1.700	1.425	19	2.090	2.392	40	1-530785-3
M55302/23-20	26/1		2.075	1.800	24	2.465	2.767	50	1-530785-2
M55302/23-21	31/1		2.450	2.175	29	2.840	3.142	60	1-530785-1
M55302/23-22	36/1		2.825	2.550	34	3.215	3.517	70	1-530785-0
M55302/23-23	41/1		3.200	2.925	39	3.590	3.892	80	530785-9
M55302/23-25	51/1		3.950	3.675	49	4.340	4.642	100	530785-8
M55302/23-26	56/1		4.325	4.050	54	4.715	5.017	110	530785-7
M55302/23-27	61/1		4.700	4.425	59	5.090	5.392	120	530785-6
M55302/23-29	81/1		6.200	5.925	79	6.590	6.892	160	530785-5
M55302/23-30	91/1		6.950	6.675	89	7.340	7.642	180	530785-4
-	46/1		3.575	3.300	44	3.965	4.267	90	530785-3
M55302/23-28	76/1		5.825	5.550	74	6.215	6.517	150	530785-2
OBSOLETE	-		5.825	5.550	74	6.215	6.517	150	530785-1
MILITARY PART NO.	CONTACT IDENT. NO.	NOTES	DIM E	DIM D	DIM C	DIM B	DIM A	NUMBER OF CONTACTS	PART NO

OBSOLETE

THIS DRAWING IS A CONTROLLED DOCUMENT.

DWN M. SMITH 8-13-79	TE Connectivity BOX CONNECTOR, PIN HEADER, .075 GRID
CHK B. WELLER 8-21-79	
APVD B. WELLER 8-21-79	
NAME	
PRODUCT SPEC	SIZE CAGE CODE DRAWING NO
APPLICATION SPEC	A2 00779 C=530785
WEIGHT	RESTRICTED TO
CUSTOMER DRAWING	SCALE NTS SHEET 2 OF 2 REV L

DIMENSIONS:		TOLERANCES UNLESS OTHERWISE SPECIFIED:	
INCHES		0 PLC	± -
		1 PLC	± -
		2 PLC	± -
		3 PLC	± -
		4 PLC	± -
		ANGLES	± -
MATERIAL		FINISH	
-		-	