

Outils à commander séparément.  
Tools to be ordered separately.



Clé de verrouillage réf: 30712.  
locking tool P/N: 30712.



Embout de verrouillage réf: 30711.  
locking tool P/N: 30711.



Fermé  
Closed

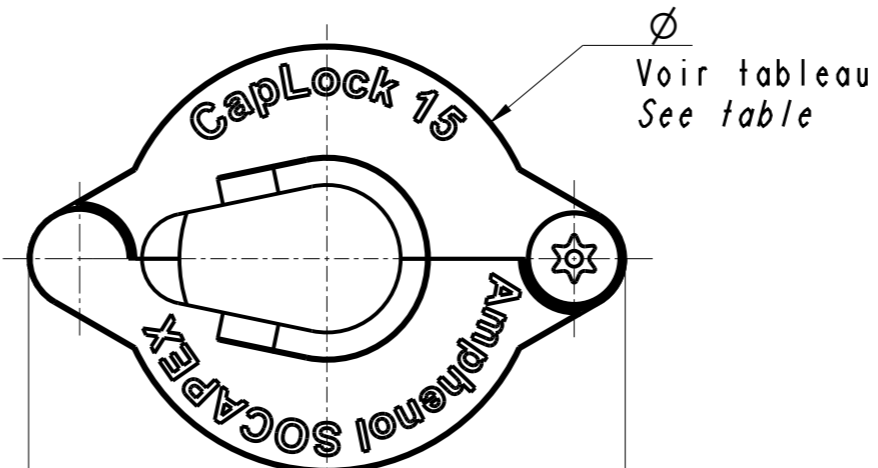
Taille (voir tableau)  
Size (see table)

Vis torx inclu  
Torx screw included

## CapLock 15 TX

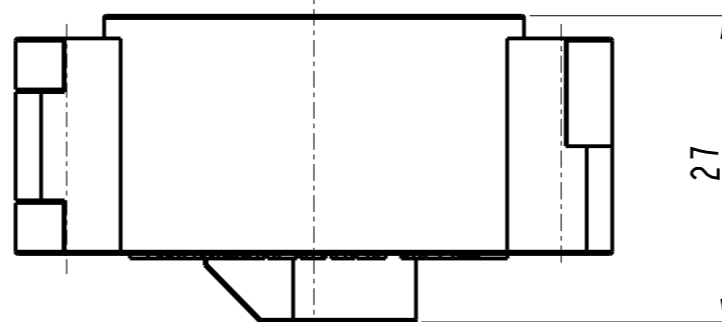
Bouchon plastique de cybersécurité  
verrouillable pour embases  
type MIL-DTL-38999 série III.

Lockable plastic cybersecurity cap for  
type MIL-DTL-38999 serie III  
receptacles.



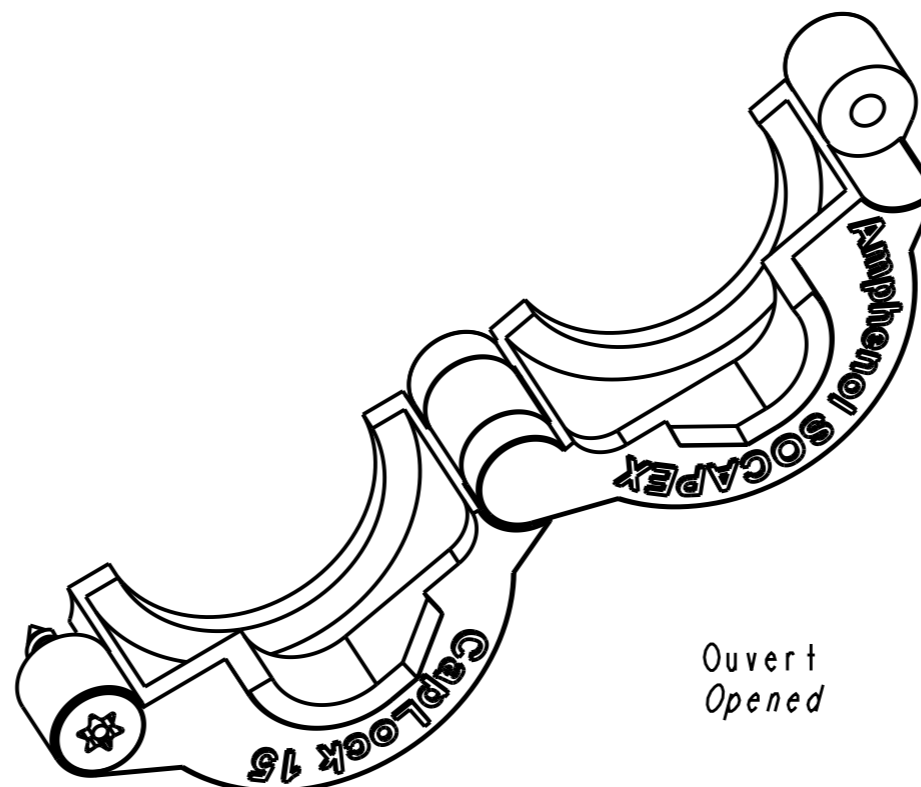
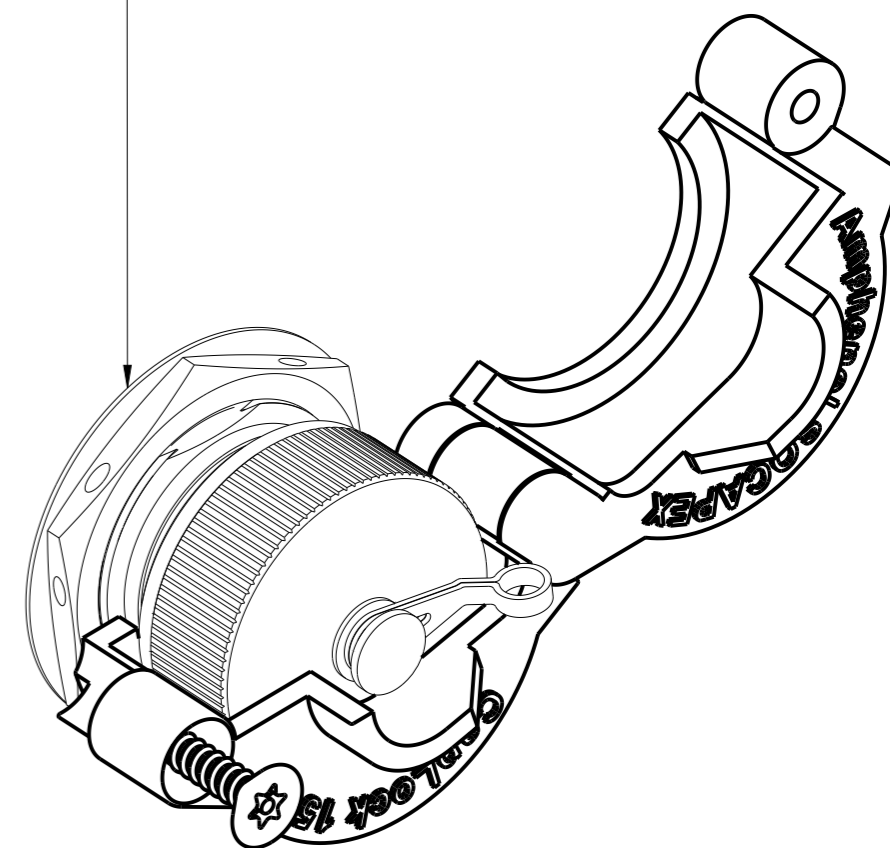
Ø  
Voir tableau  
See table

Voir tableau  
See table



27

Embase + bouchon  
type MIL-DTL-38999 série III.  
Receptacle + protective cap  
type MIL-DTL-38999 serie III



Ouvert  
Opened

| Shell size | Ø ±0.2/[0.008] | L ±0.2/[0.008] |
|------------|----------------|----------------|
| T09        | 28.6 / [1.102] | 43.6 / [1.692] |
| T11        | 33.6 / [1.299] | 48.6 / [1.889] |
| T13        | 36.6 / [1.417] | 51.6 / [2.007] |
| T15        | 37.6 / [1.456] | 52.6 / [2.047] |
| T17        | 42.6 / [1.653] | 57.6 / [2.244] |
| T19        | 44.6 / [1.732] | 59.6 / [2.322] |
| T21        | 47.6 / [1.850] | 62.6 / [2.440] |
| T23        | 50.6 / [1.968] | 65.6 / [2.559] |
| T25        | 54.6 / [2.125] | 69.6 / [2.716] |

APPROVAL FOR MANUFACTURING  
Add missing specifications on the drawing if necessary (specific labellings, tolerances,...)

DRAWN BY: G TURPIN

UPDATED BY: L WALASZEK

LAST APPROVED BY: M RINSANT

CUSTOMER :

PROGRAM :

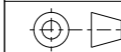
CUSTOMER  
SIGNATURE

Name :

Date :

ALL  
DIMENSIONS  
ARE IN MM

SCALE : 1,5



AMPHENOL SOCAPEX

B.P. 29 74311 THYEZ CEDEX

ORIGINAL  
DRAWING DATE :  
16/02/22

CONFIGURATION  
DATA ARE  
AVAILABLE IN PDM

REV : B

PAGE : 1/1

191-PLC-1073-00