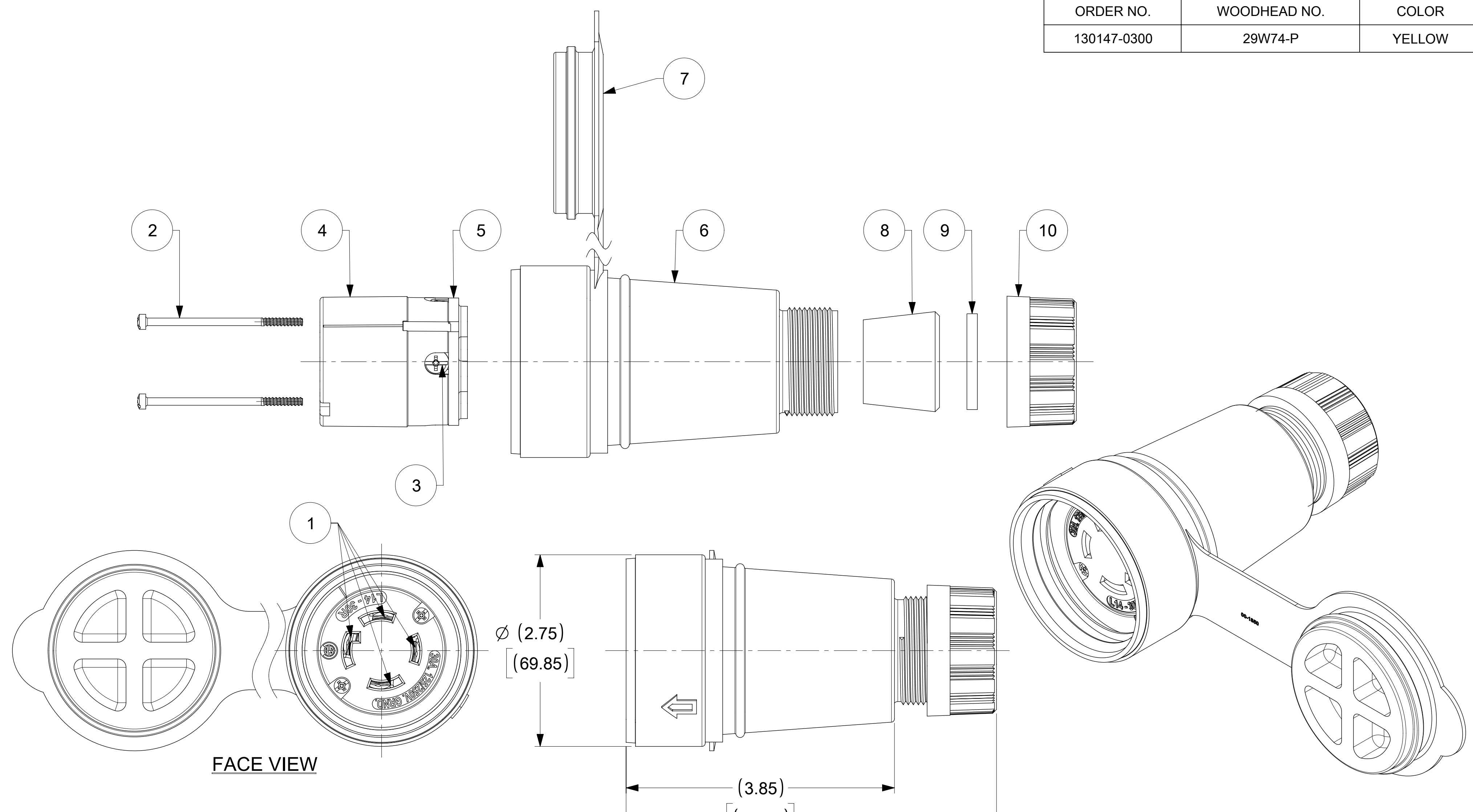


ORDER NO.	WOODHEAD NO.	COLOR
130147-0300	29W74-P	YELLOW



FACE VIEW

ITEM NO.	DESCRIPTIONS	MATERIAL	QTY.
1	BLADE	BRASS, NICKEL PLATED	4
2	RETAINING SCREWS	STAINLESS STEEL	2
3	CLAMP AND TERMINAL SCREW ASSY	BRASS, ZINC PLATED	4
4	INSERT	NYLON	1
5	TERMINAL COVER	POLYCARBONATE	1
6	HOUSING	SILICON WITH NYLON THREAD	1
7	COVER CLOSURE	SILICON WITH NYLON THREAD	1
8	GROMMET	RUBBER	4
9	FRICTION RING	NYLON	1
10	COMPRESSION NUT	NYLON	1

THIS DRAWING CONTAINS INFORMATION THAT IS PROPRIETARY TO MOLEX ELECTRONIC TECHNOLOGIES, LLC AND SHOULD NOT BE USED WITHOUT WRITTEN PERMISSION

SYMBOLS
 ◊ = 0
 ▽ = 0
 ▽ = 0
 ▽ = 0
 ▽ = 0
 ▽ = 0
 ▽ = 0
 ▽ = 0
 ▽ = 0
 ▽ = 0
 ▽ = 0
 ▽ = 0

DIMENSION UNITS	SCALE	CURRENT REV	DESC
INCH[MM]	NTS	0	RELEASED
GENERAL TOLERANCES (UNLESS SPECIFIED)		EC NO: 614386	
4 PLACES	±	DRWN: DSOPPIN	2018/12/28
3 PLACES	±	CHK'D: DNGUYEN62	2019/04/17
2 PLACES	±	APPR: HKNEELAND	2019/04/25
1 PLACE	±	INITIAL REVISION:	
0 PLACES	±	DRWN: DSOPPIN	2018/12/28
ANGULAR TOL	± °	APPR: HKNEELAND	2019/04/25
DRAFT WHERE APPLICABLE MUST REMAIN WITHIN DIMENSIONS		THIRD ANGLE PROJECTION	DRAWING SERIES
		C-SIZE	130147

DOCUMENT NUMBER: 1301470300
 DOC TYPE: PSD
 DOC PART: 000
 REVISION: A

PRODUCT CUSTOMER DRAWING

WATERTITE CONNECTOR 3P4W L14-30

MOLEX

SEE TABLE

CUSTOMER: GENERAL MARKET

MATERIAL NUMBER: SEE TABLE

SHEET NUMBER: 1 OF 1