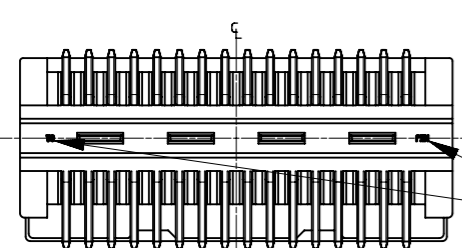


回路番号1マーク  
CKT NO.1 MARK



トレードマークまたはキャビティマーク  
TRADE MARK OR CAVITY AND MOLD NO.

注)  
NOTE

1. 嵌合相手 : 201644シリーズ  
MATE WITH:201644 SERIES.
2. 製品番号  
MATERIAL NO.

201646 0\*\* \*

極数	色	NO.	COLOR
CIRCUIT SIZE	COLOR	0	NATURAL
		1	BLACK

3. 偶数極に適用  
APPLY FOR CKT SIZE EQUAL EVEN.
4. 端子テール部及びネイルの平坦度は0.12MAX.とする  
TAIL AND NAIL COPLANARITY TO BE 0.12 MAX.

5	24.0	12.00	6.00	21.45	28.50	31.65	34.60	201646040*	40
4	22.5	11.25	3.75	21.45	27.00	30.15	33.10	201646038*	38
4	21.0	10.50	3.00	21.45	25.50	28.65	31.60	201646036*	36
4	19.5	9.75	3.75	17.85	24.00	27.15	30.10	201646034*	34
4	18.0	9.00	3.00	17.85	22.50	25.65	28.60	201646032*	32
3	16.5	-	8.25	17.85	21.00	24.15	27.10	201646030*	30
3	15.0	-	7.50	17.85	19.50	22.65	25.60	201646028*	28
3	13.5	-	6.75	12.00	18.00	21.15	24.10	201646026*	26
3	12.0	-	6.00	12.00	16.50	19.65	22.60	201646024*	24
2	-	-	5.25	12.00	15.00	18.15	21.10	201646022*	22
2	-	-	4.50	12.00	13.50	16.65	19.60	201646020*	20
2	-	-	3.75	8.50	12.00	15.15	18.10	201646018*	18
2	-	-	3.00	8.50	10.50	13.65	16.60	201646016*	16
1	-	-	-	8.50	9.00	12.15	15.10	201646014*	14
1	-	-	-	5.55	7.50	10.65	13.60	201646012*	12
1	-	-	-	5.55	6.00	9.15	12.10	201646010*	10
NAIL QTY	G	F	E	D	C	B	A	オーダー番号 ORDER NO.	極数 CKT NO.

部品 PART	材質 MATERIAL	
ハウジング HOUSING	ポリアミド(PA), ガラス充填, UL94V-0, 色 : 注記参照 POLYAMIDE(PA), GLASS FILLED, UL94V-0, COLOR : SEE NOTE	
ターミナル TERMINAL	黄銅 BRASS	前めっき PRE-PLATED
	錫めっき (リフロー処理) 1.0µm以上 TIN PLATED, (HEAT TREATED MATTE TIN), 1.0µm MIN.	
ネイル NAIL	ニッケルめっき(下地) 0.5µm以上 NICKEL (UNDER-PLATED) 0.5µm MIN.	
	黄銅 BRASS	
	無光沢錫めっき 1.0µm以上 MATTE TIN 1.0µm MIN.	
	ニッケルめっき(下地) 1.0µm以上 NICKEL (UNDER-PLATED) 1.0µm MIN.	

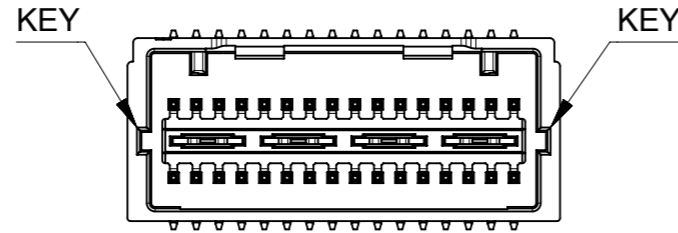
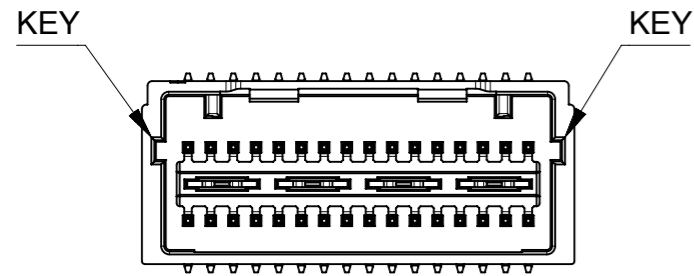
THIS DRAWING CONTAINS INFORMATION THAT IS PROPRIETARY TO MOLEX ELECTRONIC TECHNOLOGIES, LLC AND SHOULD NOT BE USED WITHOUT WRITTEN PERMISSION

DIMENSION UNITS mm	SCALE 2:1	CURRENT REV DESC: PROPOSED	
GENERAL TOLERANCES (UNLESS SPECIFIED)			
ANGULAR TOL ± 3.0°			
4 PLACES ± 0.2	EC NO: 175979	SPOT-ON 1.5 DUAL PLUG ASSY WITH NAIL	
3 PLACES ± 0.2	DRWN: MIKEDA01 2017/06/28	PRODUCT CUSTOMER DRAWING	
2 PLACES ± 0.2	CHK'D: AIDA 2018/05/16	DOCUMENT NUMBER	
1 PLACE ± 0.2	APPR: TKANEKO 2018/05/17	2016460001	
0 PLACES ± 0.2	INITIAL REVISION:	DOC TYPE	DOC PART
DRAFT WHERE APPLICABLE MUST REMAIN WITHIN DIMENSIONS	DRWN: MIKEDA01 2017/02/09	PSD	000
THIRD ANGLE PROJECTION	APPR: TKANEKO 2017/04/06	SHEET NUMBER	B
	DRAWING	MATERIAL NUMBER	CUSTOMER
	A3-SIZE	201646	GENERAL
	SERIES	2016460***	
			1 OF 4

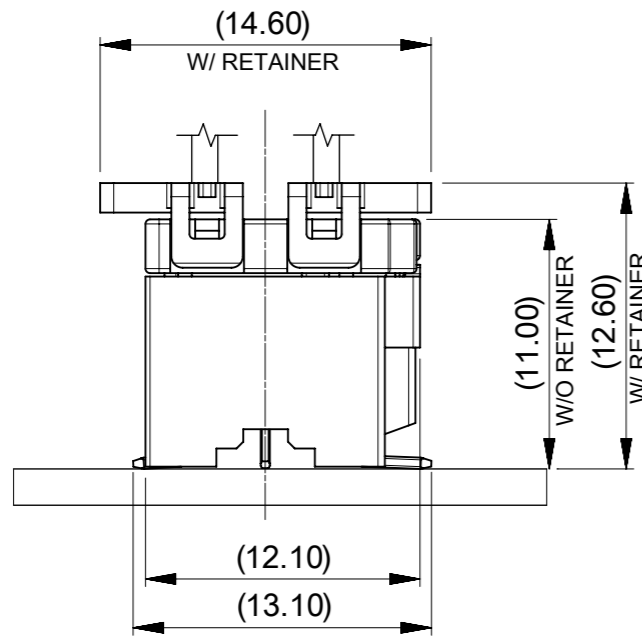
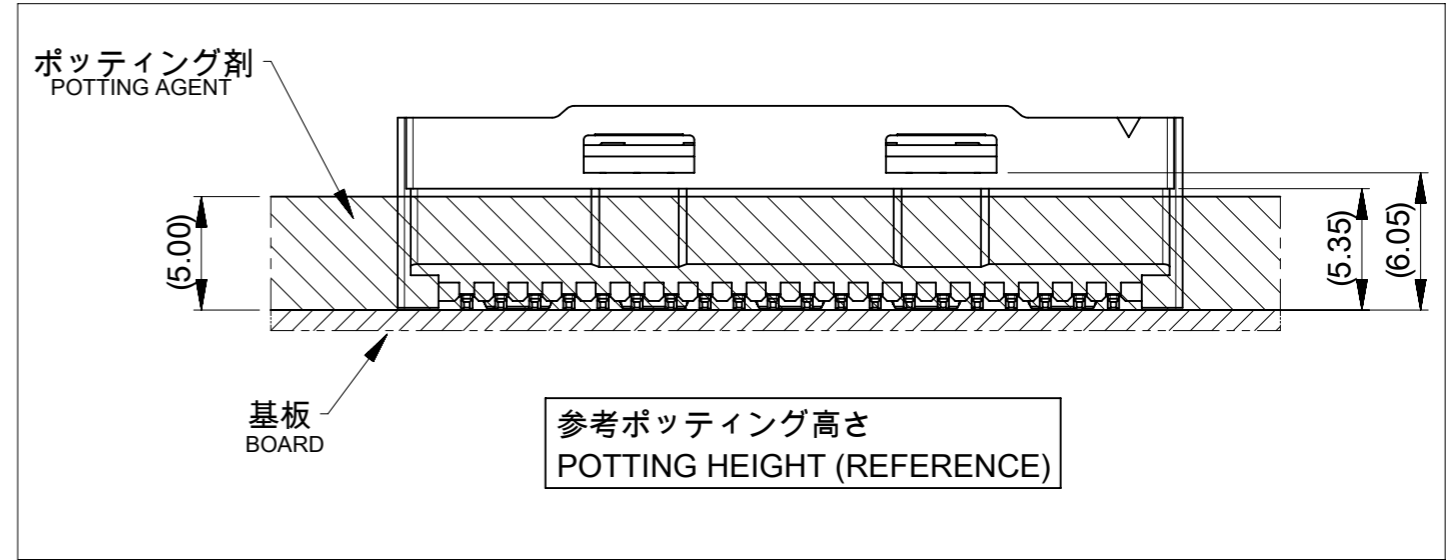
9 8 7 6 5 4 3 2 1

Natural  
(BEIGE)

BLACK



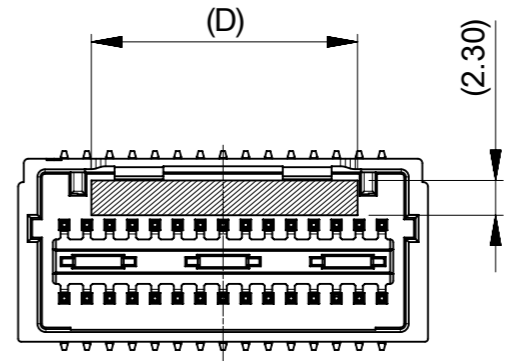
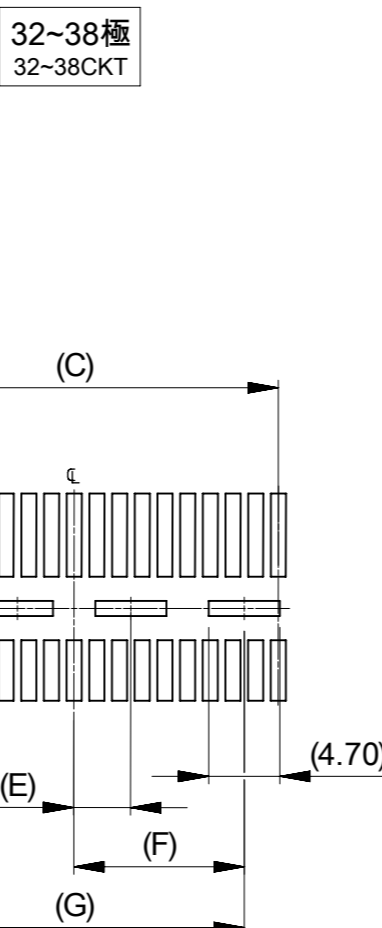
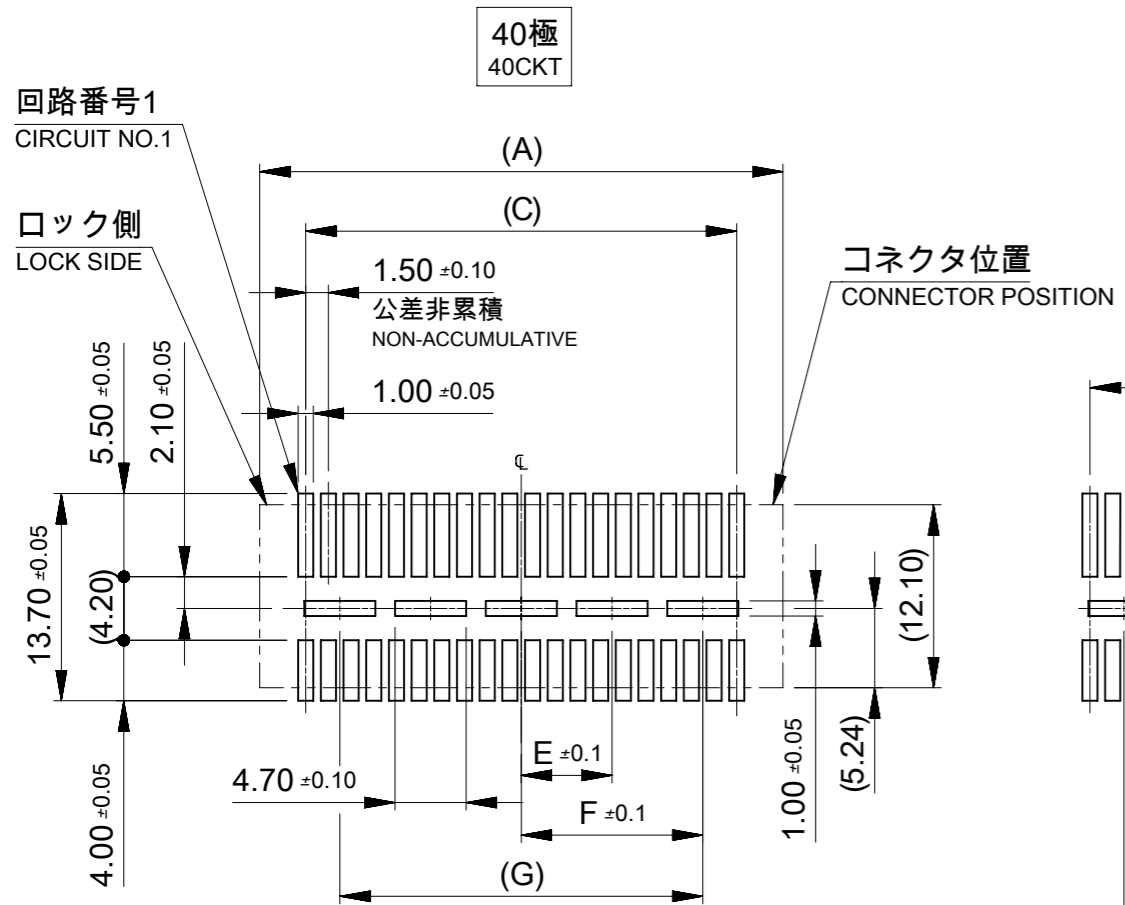
色によるキー位置違い  
COLOR VS KEY POSITION



嵌合高さ  
MATING HEIGHT

THIS DRAWING CONTAINS INFORMATION THAT IS PROPRIETARY TO MOLEX ELECTRONIC TECHNOLOGIES, LLC AND SHOULD NOT BE USED WITHOUT WRITTEN PERMISSION										
DIMENSION UNITS	SCALE	CURRENT REV DESC: PROPOSED			<b>molex</b>					
mm	2:1									
GENERAL TOLERANCES (UNLESS SPECIFIED)					SPOT-ON 1.5 DUAL PLUG ASSY WITH NAIL					
ANGULAR TOL	± 3.0 °	EC NO: 175979			PRODUCT CUSTOMER DRAWING					
4 PLACES	± 0.2	DRWN: MIKEDA01 2017/06/28			DOCUMENT NUMBER					
3 PLACES	± 0.2	CHK'D: AIDA 2018/05/16			2016460001					
2 PLACES	± 0.2	APPR: TKANEKO 2018/05/17			DOC TYPE					
1 PLACE	± 0.2	INITIAL REVISION:			PSD					
0 PLACES	± 0.2	DRWN: MIKEDA01 2017/02/09			DOC PART					
DRAFT WHERE APPLICABLE MUST REMAIN WITHIN DIMENSIONS		THIRD ANGLE PROJECTION		DRAWING		SERIES		MATERIAL NUMBER		CUSTOMER
		A3-SIZE		201646		2016460***		GENERAL		SHEET NUMBER
										2 OF 4

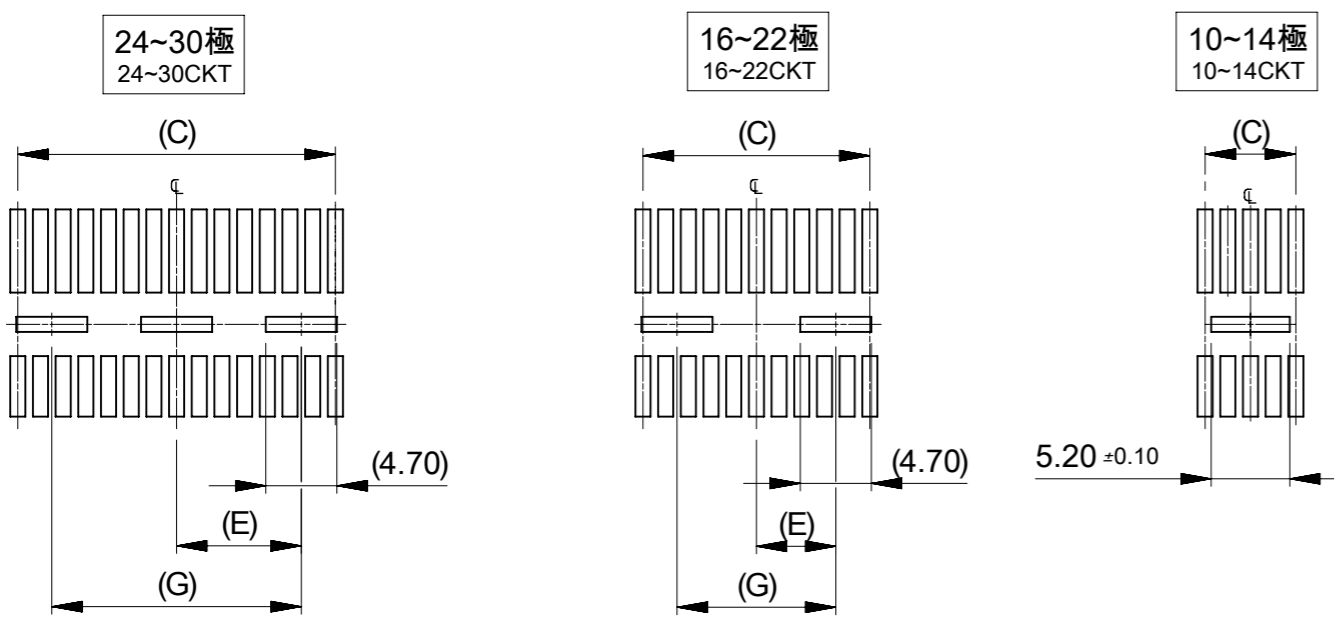
9 8 7 6 5 4 3 2 1



吸着範囲  
VACCUME AREA

BLACK	NATURAL (BEIGE)	HOUSING COLOR
2016460401	2016460400	40
2016460381	2016460380	38
2016460361	2016460360	36
2016460341	2016460340	34
2016460321	2016460320	32
2016460301	2016460300	30
2016460281	2016460280	28
2016460261	2016460260	26
2016460241	2016460240	24
2016460221	2016460220	22
2016460201	2016460200	20
2016460181	2016460180	18
2016460161	2016460160	16
2016460141	2016460140	14
2016460121	2016460120	12
2016460101	2016460100	10

エンボステープ梱包 EMBOSSSED TAPE PKG		極数 CKT NO.
△	オーダー番号 ORDER NO.	



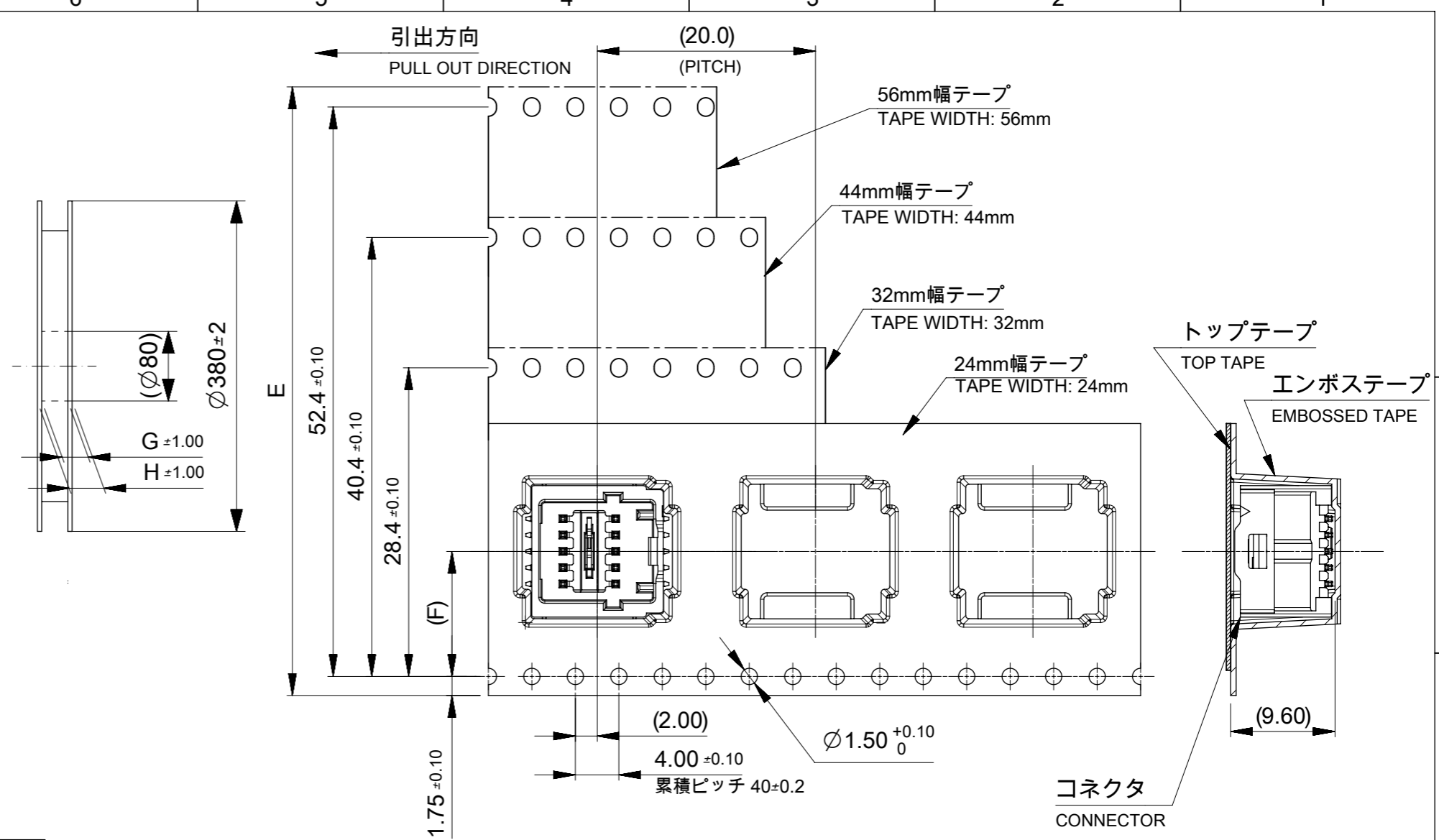
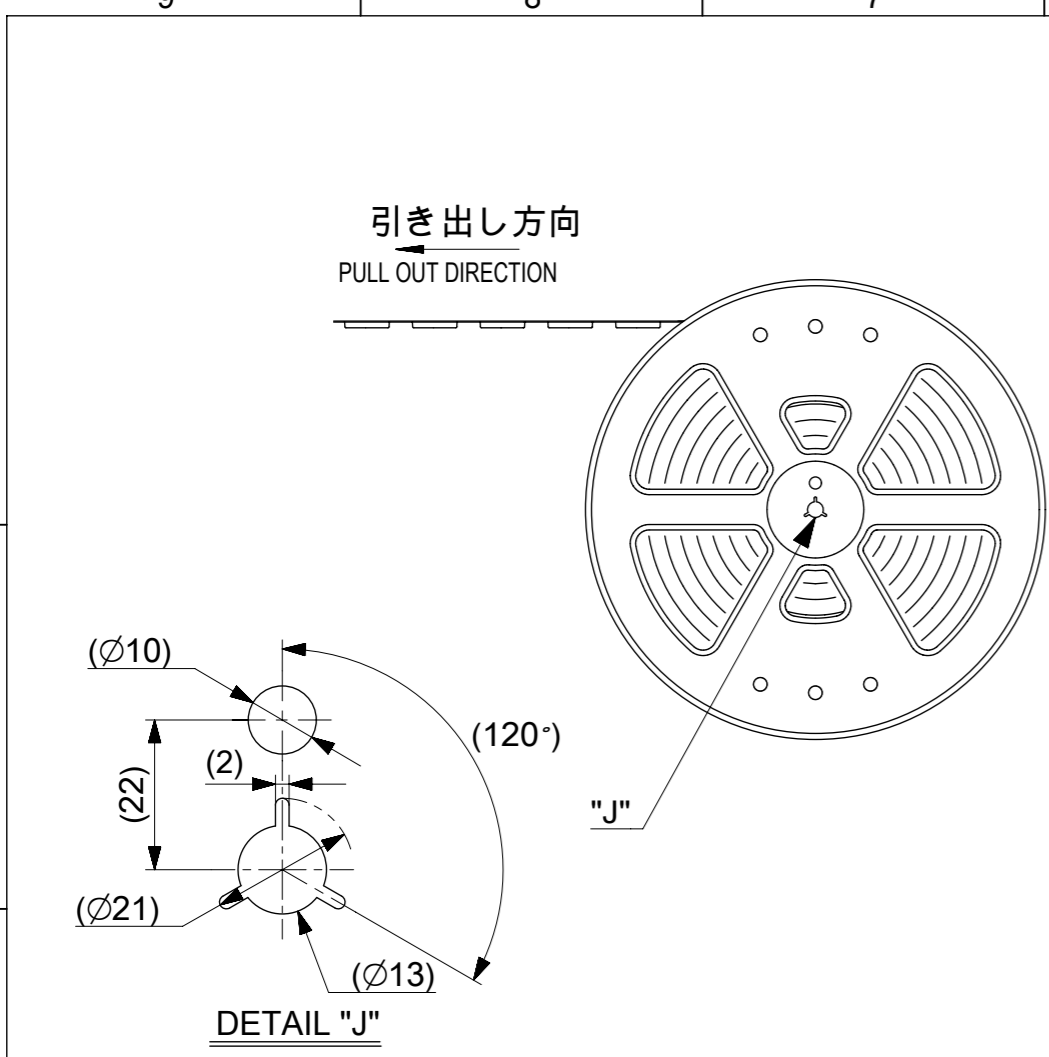
推奨基板パターンレイアウト  
RECCOMENDED PCB PATTERN LAYOUT

メタルマスク厚:0.15  
METAL MASK THICKNESS: 0.15

開口率:100%  
APPARTURE RATIO: 100%

THIS DRAWING CONTAINS INFORMATION THAT IS PROPRIETARY TO MOLEX ELECTRONIC TECHNOLOGIES, LLC AND SHOULD NOT BE USED WITHOUT WRITTEN PERMISSION

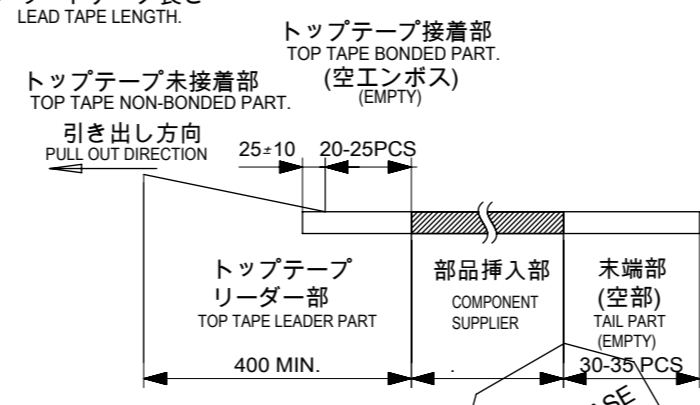
DIMENSION UNITS mm	SCALE 2:1	CURRENT REV DESC: PROPOSED		<b>molex</b>		
GENERAL TOLERANCES (UNLESS SPECIFIED)		EC NO: 175979				
ANGULAR TOL ± 3.0 °	4 PLACES ± 0.2	DRWN: MIKEDA01	2017/06/28	PRODUCT CUSTOMER DRAWING		
3 PLACES ± 0.2	2 PLACES ± 0.2	CHK'D: AIDA	2018/05/16	DOCUMENT NUMBER		
1 PLACE ± 0.2	0 PLACES ± 0.2	APPR: TKANEKO	2018/05/17	2016460001		
DRAFT WHERE APPLICABLE MUST REMAIN WITHIN DIMENSIONS		INITIAL REVISION:		DOC TYPE	DOC PART	REVISION
THIRD ANGLE PROJECTION		DRWN: MIKEDA01	2017/02/09	PSD	000	B
DRAWING		APPR: TKANEKO	2017/04/06	SHEET NUMBER		
A3-SIZE		SERIES	201646	3 OF 4		
MATERIAL NUMBER		CUSTOMER	2016460***	GENERAL		



60.4	56.4	26.2	56 $\pm 0.3$	201646040*	40
				201646038*	38
48.4	44.4	20.2	44 $\pm 0.3$	201646036*	36
				201646034*	34
				201646032*	32
				201646030*	30
				201646028*	28
				201646026*	26
				201646024*	24
36.4	32.4	14.2	32 $\pm 0.3$	201646022*	22
				201646020*	20
				201646018*	18
				201646016*	16
28.4	24.4	11.5	24 $^{+0.3}_{-0.1}$	201646014*	14
				201646012*	12
				201646010*	10
H	G	F	E エンボステープ幅 WIDTH OF TAPE	エンボステープ梱包 EMBOSSSED TAPE PKG	極数 CKT NO.
				オーダー番号 ORDER NO.	

NOTES

- 梱包数量：450個 / リール  
NUMBER OF CONNECTORS : 450 PCS/REEL.
- リードテープ長さ  
LEAD TAPE LENGTH.
- 材料  
キャリアテープ：ポリスチレン(PS)、その他  
トップテープ：ポリエステル(PET)、その他  
リール：ポリスチレン(PS)リサイクル材を含む  
MATERIALS  
CARRIER TAPE : POLYSTYRENE(PS), OTHER  
TOP TAPE : POLYESTER(PET), OTHER  
REEL : POLYSTYRENE(PS) RECYCLE MATERIAL CONTAINED



THIS DRAWING CONTAINS INFORMATION THAT IS PROPRIETARY TO MOLEX ELECTRONIC TECHNOLOGIES, LLC AND SHOULD NOT BE USED WITHOUT WRITTEN PERMISSION

DIMENSION UNITS	SCALE	CURRENT REV DESC: PROPOSED		<b>molex</b>		
mm	2:1					
GENERAL TOLERANCES (UNLESS SPECIFIED)				SPOT-ON 1.5 DUAL PLUG ASSY WITH NAIL		
ANGULAR TOL	± 3.0°	EC NO: 175979		PRODUCT CUSTOMER DRAWING		
4 PLACES	± 0.2	DRWN: MIKEDA01	2017/06/28	DOCUMENT NUMBER		
3 PLACES	± 0.2	CHK'D: AIDA	2018/05/16	2016460001		
2 PLACES	± 0.2	APPR: TKANEKO	2018/05/17	DOC TYPE	DOC PART	REVISION
1 PLACE	± 0.2	INITIAL REVISION:		PSD	000	B
0 PLACES	± 0.2	DRWN: MIKEDA01	2017/02/09	SHEET NUMBER		
DRAFT WHERE APPLICABLE MUST REMAIN WITHIN DIMENSIONS		THIRD ANGLE PROJECTION	DRAWING	SERIES	MATERIAL NUMBER	CUSTOMER
			A3-SIZE	201646	2016460***	GENERAL
						4 OF 4