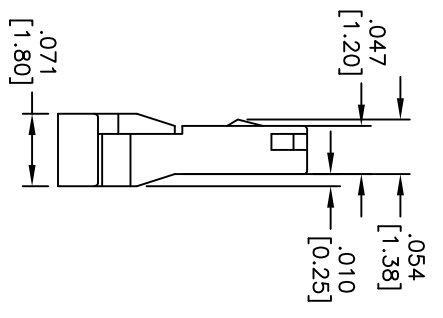
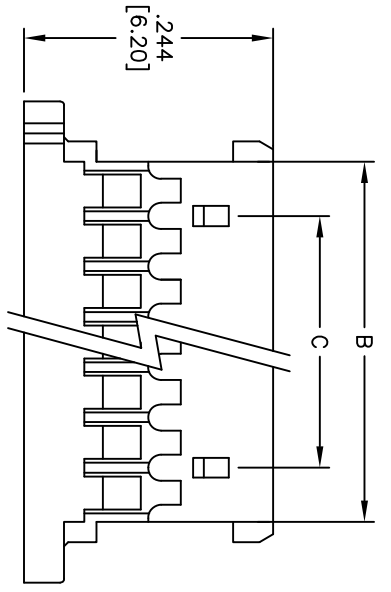
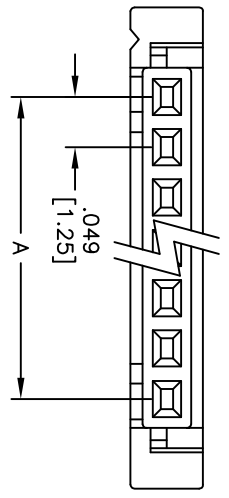


APPROVED: \_\_\_\_\_  
 DATE: \_\_\_\_\_ TITLE: \_\_\_\_\_

Rev	AWO #	Description	Date	Appr
-		RELEASED	11/30/10	
A		REVISED SHAPE	6/18/12	



**SPECIFICATIONS:**  
 Material: PBT, rated UL 94V-0  
 Insulator color: White

**Electrical:**  
 Voltage rating: 125 VAC/DC max  
 Current rating: 1 Amp max

Insulation resistance: 100 Mohms min  
 Dielectric withstanding voltage: 250 VAC for 1 minute

**Temperature Rating:**  
 Operating temperature: -25°C to +85°C  
 Environmental:  
 Lead free, RoHS compliant.



Positions: 2 thru 16, 18, 20, 22, 24, 26, 28, 30  
 A = .049 [1.25] X No. of Spaces  
 B = .049 [1.25] X No. of Spaces + .057 [1.45]  
 C = .049 [1.25] X No. of Spaces - .049 [1.25]  
 DIM. C 2P, 3P (NONE)

UNLESS OTHERWISE SPECIFIED  
 ALL DIMENSIONS ARE INCHES [MM]  
 TOLERANCES: EXCEPT AS NOTED

INCHES	HOLES
.X ± .10	ØX ± .10
.XX ± .020	ØXX ± .015
.XXX ± .015	ØXXX ± .010

**ADAM TECH**  
 909 Rahway Avenue, Union, NJ 07083  
 Phone: 908-687-5000 Fax: 908-687-5710

APPROVALS	DATE	TITLE
DRAWN AY	11/30/10	.049 [1.25] PITCH CRIMP HOUSING SINGLE ROW, 2 THRU 30 POSITIONS
CHECKED AH	11/30/10	
APPROVED		