

6

5

4

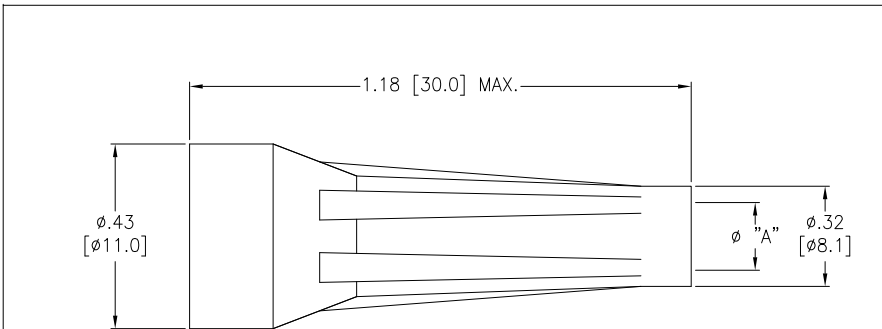
3

2

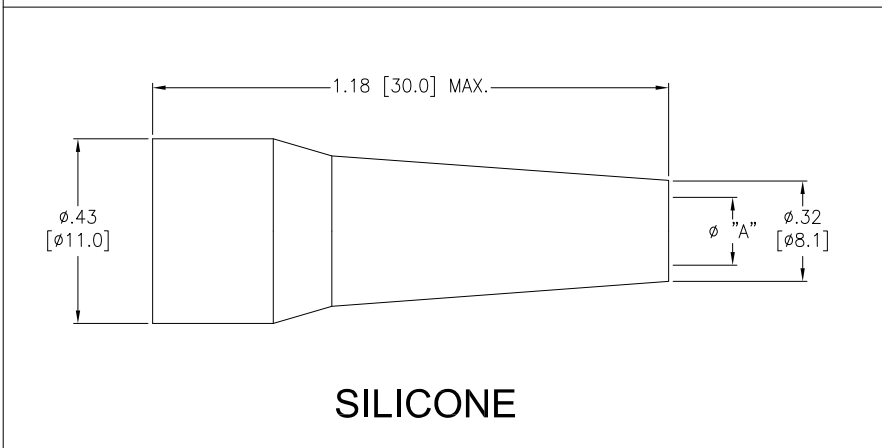
1

APPROVED: _____
DATE: _____ TITLE: _____

Rev	AWO #	Description	Date	Appr
-		RELEASED	8/16/21	
A		ADDED SILICON TYPE	11/14/22	



TPU



SILICONE

MMI-BR1-XX-XX-X

PLUG SIZE
1 = SIZE 1

MATERIAL
T = TPU
S = SILICONE

CABLE I.D. "A"
30 = 3.0mm (TPU)
35 = 3.5mm (TPU)
40 = 4.0mm (TPU)
45 = 4.5mm (TPU)
50 = 5.0mm (TPU)
55 = 5.5mm (TPU)
60 = 6.0mm (TPU or SILICONE)
65 = 6.5mm (TPU or SILICONE)

COLOR
B = BLACK (TPU or SILICONE)
G = GRAY (TPU)
GR = GREEN (TPU)
Y = YELLOW (TPU)
R = RED (TPU)
BU = BLUE (TPU)

Cable Dia. "A"	Min. ϕ	Max. ϕ
30	.118 [3.0]	.134 [3.4]
35	.138 [3.5]	.153 [3.9]
40	.157 [4.0]	.173 [4.4]
45	.177 [4.5]	.197 [5.0]
50	.197 [5.0]	.216 [5.5]
55	.216 [5.5]	.205 [6.0]
60	.205 [6.0]	.256 [6.5]
65	.256 [6.5]	.275 [7.0]

SPECIFICATIONS:

Material:
 TPU (Available sizes 30, 35, 40, 45, 50, 55, 60 & 65),
 Color Black, Gray, Green, Yellow, Red, Blue
 Silicone (Available sizes 60 & 65), Color Black
 Temperature Rating:
 Operating temperature: TPU: -40°C to +80°C
 Silicone: -60°C to +200°C

Environmental:

Lead free, RoHS compliant



UNLESS OTHERWISE SPECIFIED
 ALL DIMENSIONS ARE INCHES [MM]
 TOLERANCES: EXCEPT AS NOTED
 INCHES HOLES
 .X ± .10 ϕ .X ± .10
 .XX ± .020 ϕ .XX ± .015
 .XXX ± .015 ϕ .XXX ± .010



909 Rahway Avenue,
 Union, NJ 07083
 Phone: 908-687-5000
 Fax: 908-687-5710

APPROVALS		DATE
DRAWN	SS	8/16/21
CHECKED	SS	8/16/21
APPROVED		

TITLE			
BEND RELIEF FOR PLUG, SIZE 1			
SIZE X	PART NO. MMI-BR1-XX-XX-X	REV. A	
REF: SXXXXXX	SCALE: NTS	SHEET 1 OF 1	

6

5

4

3

2

1