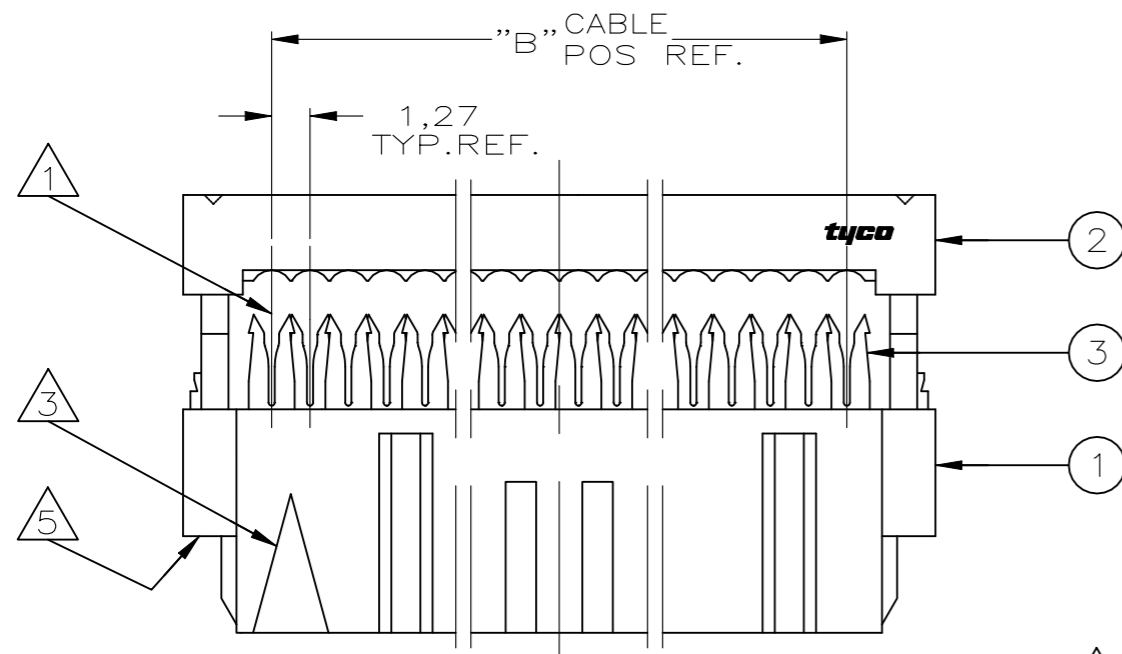
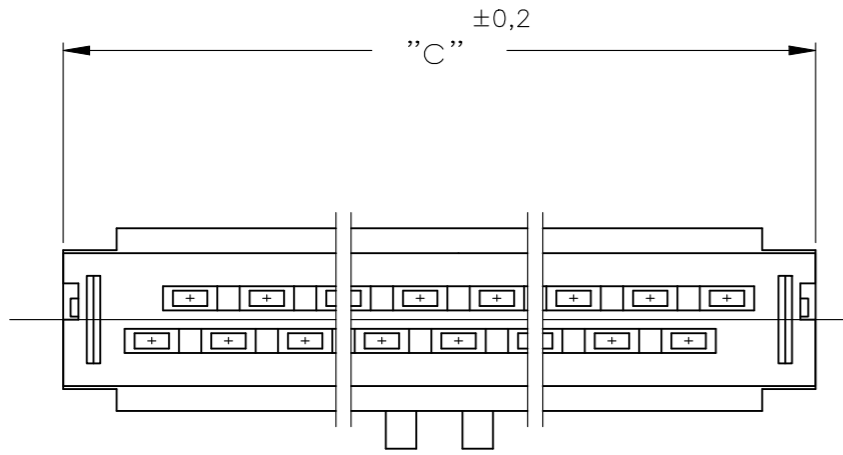


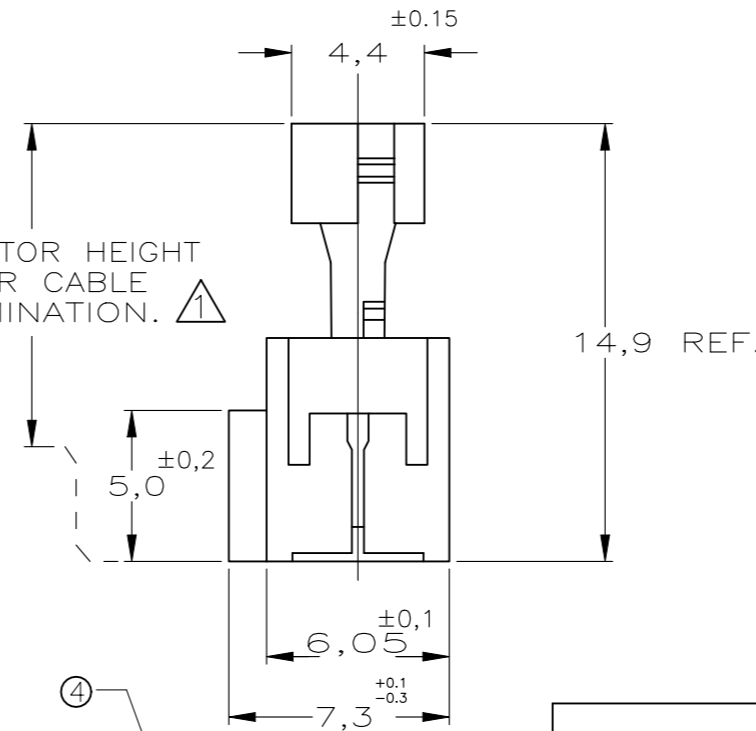
P	LTR	DESCRIPTION	DATE	DWN	APVD
E1	REVISED PER	ECR-21-115231	07JUN2023	GC	WH

NOTES:

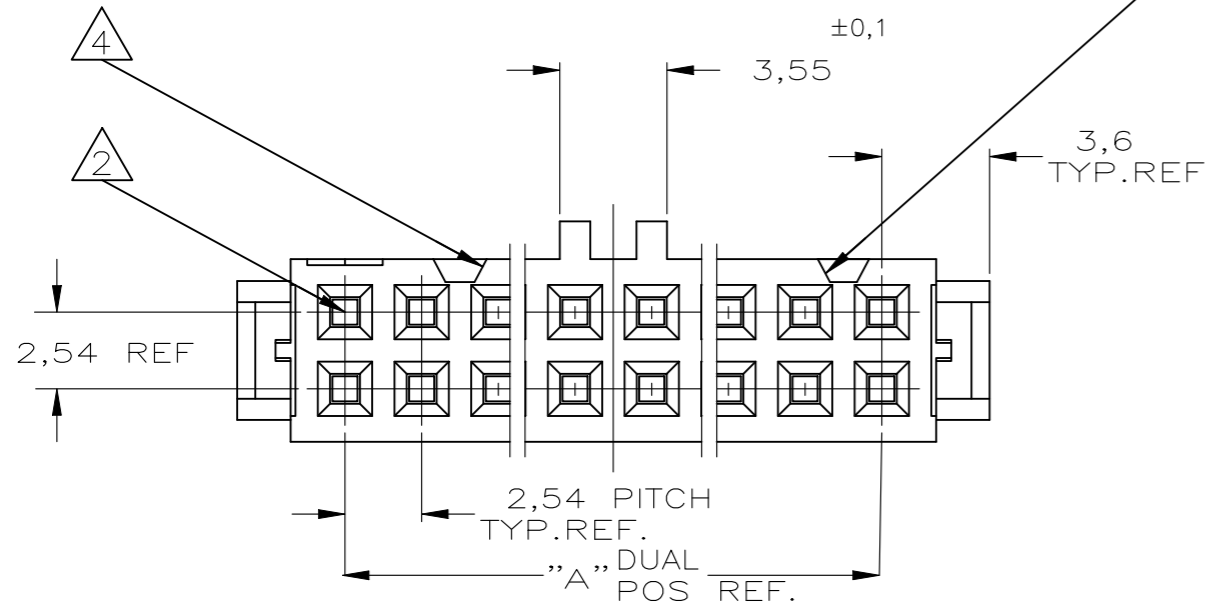
- 1 CONNECTOR IS DESIGNED FOR FLAT RIBBON CABLE ON 1,27 CENTERS . FOR CABLE REQUIREMENTS SEE AMP APPLICATION SPECIFICATION 114-19022.
- 2 THESE RECEPTACLE CONNECTORS MATE WITH 0,64^{±0,05}mm SQUARE OR ROUND POSTS ON 2,54mm GRID.
- 3 MARK INDICATING FIRST CABLE POSITION REFERRING TO CONTACT POSITION.
- 4 THERE IS NO POLARIZATION-SLOT AT THIS END IN 4, 6, 8, 10 AND 14 POS CONNECTORS.
- 5 THESE CONNECTORS CAN BE USED IN CONJUNCTION WITH STRAIN-RELIEF COVERS OF PARTNR: 100103.
- 6 THERE IS NO POLARIZATION-SLOT AT THIS END IN 4, 6, AND 8 POS CONNECTORS.
- 7 PRODUCT SPECIFICATION 108-19033.



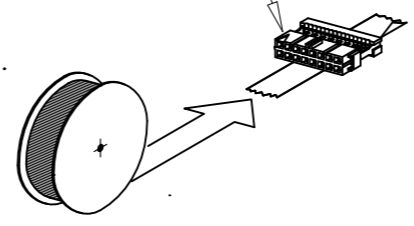
CONNECTOR HEIGHT AFTER CABLE TERMINATION. 1



QUANTITY PER REEL	DIM. "C"	"B" CABLE POS.	"A" DUAL POS.	PARTNUMBER	PART REV.
1000	85,9	64	32	6-215919-4	D
1000	80,8	60	30	6-215919-0	D
1000	68,1	50	25	5-215919-0	D
1500	60,5	44	22	4-215919-4	D
1500	55,4	40	20	4-215919-0	D
1500	47,8	34	17	3-215919-4	D
1500	37,6	26	13	2-215919-6	D
1500	30,0	20	10	2-215919-0	D
1500	24,9	16	8	1-215919-6	D
1500	22,4	14	7	1-215919-4	D
1500	17,3	10	5	1-215919-0	D
OBSOLETE	1500	14,8	8	0-215919-8	C
1500	12,2	6	3	0-215919-6	D
OBSOLETE	1500	9,7	4	0-215919-4	C



3	RECEPTACLE CONTACT	PHOSPHORBRONZE Cu Sn6	AT CONTACT-PLACE: 0,2 μ m GOLD AT WIRING END: 2,5 μ m TIN ENTIRE UNDERCOATING: 1,27 μ m NICKEL
2	COVER	THERMOPLASTIC POLYESTER GF UL 94 -V0	BLACK BK015 ONLY FOR REF.
1	HOUSING		
COMPONENT NAME		MATERIAL	PLATING / COLOUR



THIS DRAWING IS A CONTROLLED DOCUMENT.

DIMENSIONS:	TOLERANCES UNLESS OTHERWISE SPECIFIED:	DWN	02-02-88	TE Connectivity AMP-LATCH MIL-TYPE REC. CONN. ASS'Y 14,9 PRE-ASM 0.2u Au-TAPE MOUNTED ON REEL
mm		CHK	03-02-88	
		APVD	03-02-88	
		PRODUCT SPEC		
	0 PLC $\pm -$	APPLICATION SPEC		NAME
	1 PLC $\pm -$			SIZE
	2 PLC $\pm -$			CAGE CODE
	3 PLC $\pm -$			DRAWING NO
	4 PLC $\pm -$			RESTRICTED TO
	ANGLES $\pm -$	WEIGHT	-	A300779 C-215919
MATERIAL	FINISH			SCALE
-	-			1:1
				SHEET
				1 OF 1
				REV
				E1

CUSTOMER DRAWING