

## Product Specifications

### Material

Insulator	LCP (Liquid Crystal Polymer) UL94-V0
Signal Contacts	Male : Copper alloy / Ni + Au 0.20µm to 0.40µm max. Female : Copper zinc alloy / Ni + Au 0.20µm to 0.40µm max.
Fixing Hardware	Stainless steel 300 series

### Electrical Features

Current rating	UP to 4.8A @ 25°C (PCB to cable 20 pins) Up to 2.5A @ 25°C (PCB to PCB 20 pins)
Voltage	Voltage proof @ sea level: 1000V RMS Withstanding voltage @ sea level: 600V RMS
Contact resistance	< 10mΩ (initial)
Insulation resistance	> 2GΩ (after conditioning)

### Mechanical Features

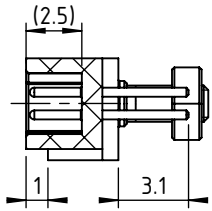
Contact durability	1000 cycles
Contact forces	Engagement: 0.7N max Separation: 0.06N min
Contact retention	> 6N
Fixing Hardware torque	Screw-Lok: 16cN.m

### Environmental Features

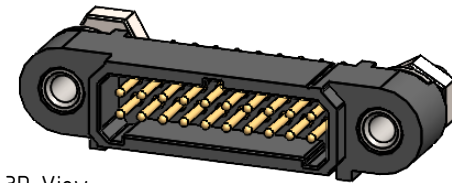
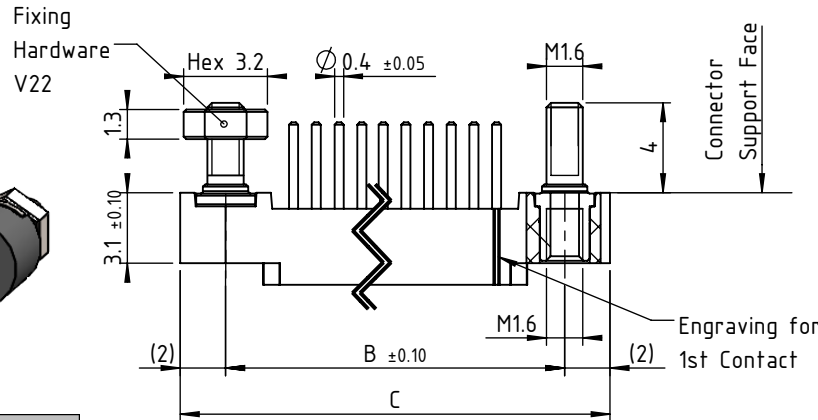
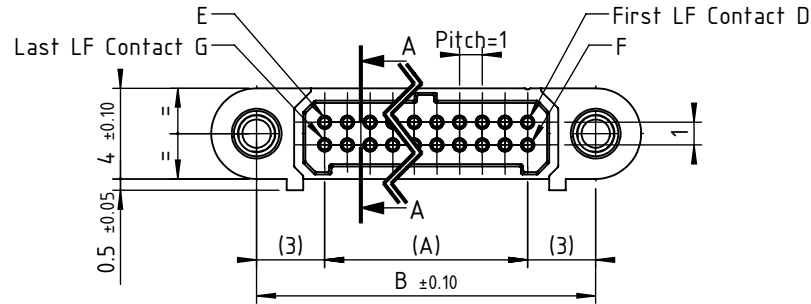
Temperature cycling	-65°C to +200°C
Humidity	25°C -65°C / 89% - 94% humidity / 6 days
Vibration	Sinusoidal vibration: 15g / 10Hz - 2000Hz - 10Hz in 20min / 4h per axis in each 3 axes (total 12h)
Shock	Peak acceleration: 100g/Normal Duration 6ms; Wave form: sawtooth

b	22/06/20	P.K	K.H	A.DL
Ind	Date	Drawn	Checked	Approved

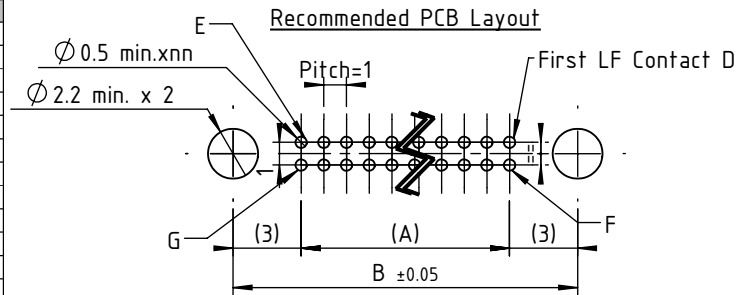
Item : Connector AMM 220 male straight on PCB, nn LF Contacts, V22.



CUT A-A



3D View



No. Of Contacts	Distance Between axes		Length in mm	LF Contact Reference			
	A	B		D	E	F	G
nn							
4	1	7	11	1	2	3	4
6 ♦	2	8	12	1	3	4	6
8	3	9	13	1	4	5	8
10 ♦	4	10	14	1	5	6	10
12	5	11	15	1	6	7	12
14	6	12	16	1	7	8	14
16	7	13	17	1	8	9	16
18	8	14	18	1	9	10	18
20 ♦	9	15	19	1	10	11	20
22	10	16	20	1	11	12	22
24	11	17	21	1	12	13	24
26	12	18	22	1	13	14	26
28	13	19	23	1	14	15	28
30	14	20	24	1	15	16	30
32	15	21	25	1	16	17	32
34 ♦	16	22	26	1	17	18	34
36	17	23	27	1	18	19	36
38	18	24	28	1	19	20	38
40	19	25	29	1	20	21	40
42	20	26	30	1	21	22	42
44	21	27	31	1	22	23	44
46	22	28	32	1	23	24	46
48	23	29	33	1	24	25	48
50 ♦	24	30	34	1	25	26	50

NOTE:

1. Tape and Reel packaging
2. ♦ Configurations are available in stock
3. "Feel free to ask for technical support"

Catalogue Reference : A221YnnV22

Compliant matrix :  
Customer reference :

General tolerance ±0.2  
Scale 3:1  
Page 1/1