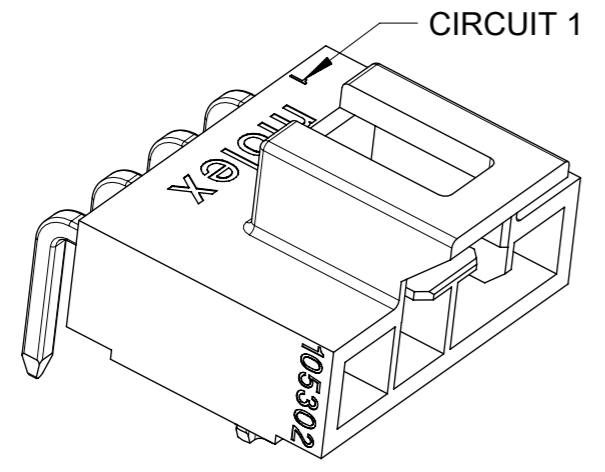
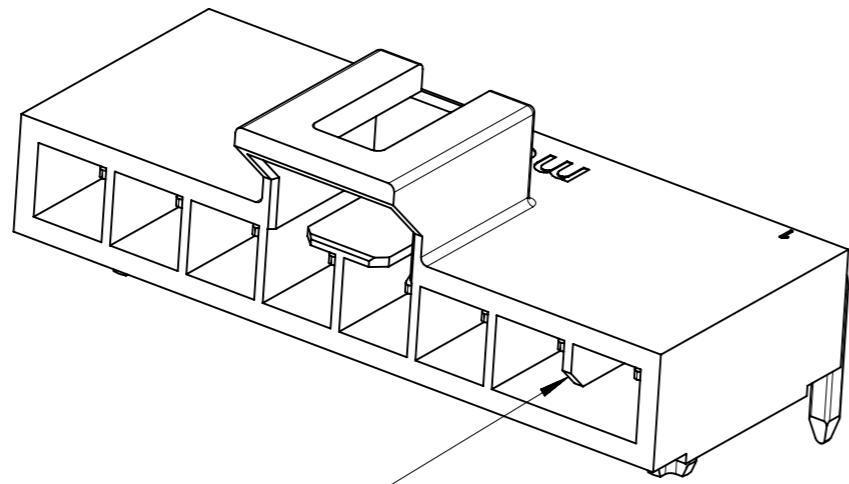


RECOMMENDED PCB(CONNECTOR SIDE VIEW) THICKNESS=1.6 TO 2.4 MM.

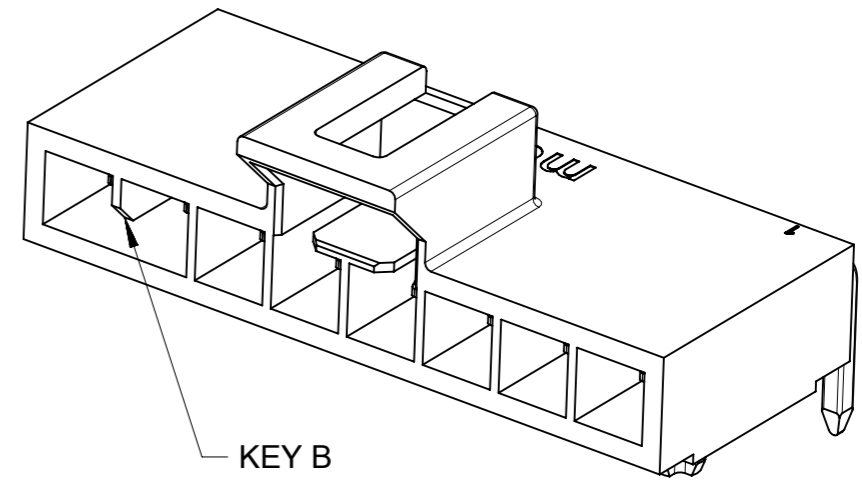
OPTION 1: LATCH FLUSH WITH PCB EDGE.  
 OPTION 2: HOUSING BODY FLUSH WITH PCB EDGE.



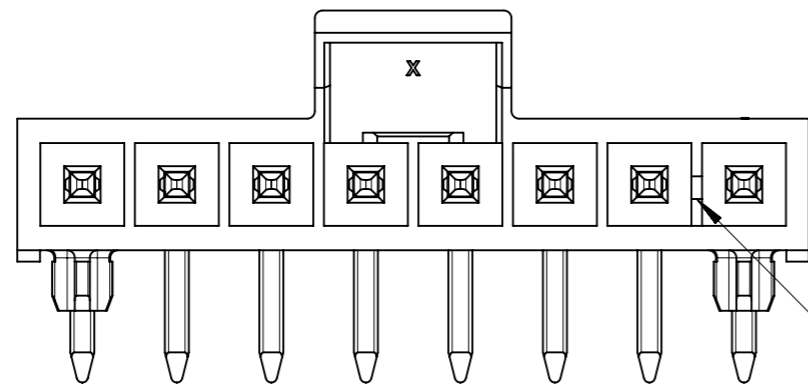
FUNCTIONAL SYMBOLS	THIS DRAWING CONTAINS INFORMATION THAT IS PROPRIETARY TO MOLEX ELECTRONIC TECHNOLOGIES, LLC AND SHOULD NOT BE USED WITHOUT WRITTEN PERMISSION		CURRENT REV DESC:		<b>molex</b>					
	▽A = 0	mm	NTS							
▽E = 0	GENERAL TOLERANCES (UNLESS SPECIFIED)				HEADER OF NANO-FIT, S/R, R/A POWER CONNECTOR					
▽V = 0	ANGULAR TOL ± 3.0°				PRODUCT CUSTOMER DRAWING					
DIVISIONAL SYMBOLS	4 PLACES	±	0.1	EC NO: 648137	2020/10/30					
	3 PLACES	±	0.2	DRWN: GLLI	2020/11/09					
	2 PLACES	±	0.3	CHK'D: YXZHENG	2020/11/09					
	1 PLACE	±	0.3	APPR: YXZHENG						
	0 PLACES	±		INITIAL REVISION:						
DRAFT WHERE APPLICABLE MUST REMAIN WITHIN DIMENSIONS		THIRD ANGLE PROJECTION	DRAWING	SERIES	MATERIAL NUMBER	CUSTOMER	DOCUMENT NUMBER	DOC TYPE	DOC PART	REVISION
			A3-SIZE	105313	1053131000-SD	GENERAL MARKET	1053131000-SD	PSD	000	C



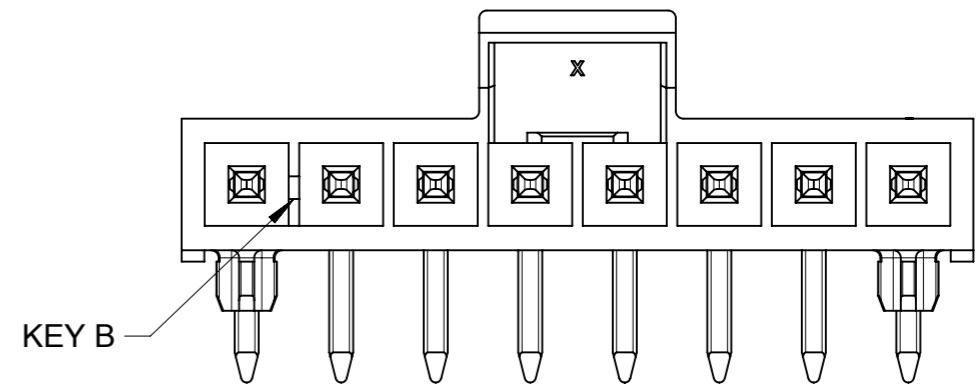
KEY A



KEY B



KEY A



KEY B

BLACK

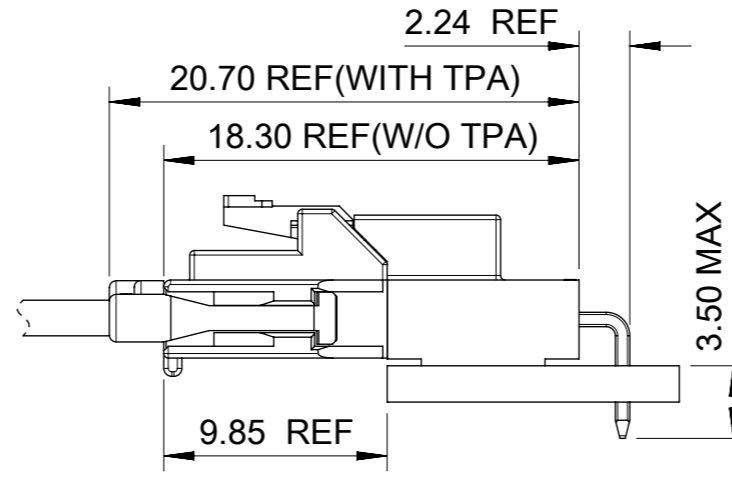
NATURAL

COLOR OPTION

FUNCTIONAL SYMBOLS	THIS DRAWING CONTAINS INFORMATION THAT IS PROPRIETARY TO MOLEX ELECTRONIC TECHNOLOGIES, LLC AND SHOULD NOT BE USED WITHOUT WRITTEN PERMISSION		CURRENT REV DESC:		<b>molex</b>			
	$\nabla_A = 0$ $\nabla_B = 0$ $\nabla_C = 0$	DIMENSION UNITS: <b>mm</b> SCALE: <b>NTS</b>						EC NO: 648137 DRWN: GLLI CHK'D: YXZHENG APPR: YXZHENG
DIVISIONAL SYMBOLS	GENERAL TOLERANCES (UNLESS SPECIFIED)		2020/10/30		PRODUCT CUSTOMER DRAWING			
	ANGULAR TOL $\pm 3.0^\circ$		2020/11/09					
	4 PLACES $\pm$	3 PLACES $\pm 0.1$	INITIAL REVISION:		DOCUMENT NUMBER	DOC TYPE	DOC PART	REVISION
	2 PLACES $\pm 0.2$	1 PLACE $\pm 0.3$	DRWN: GLLI		1053131000-SD	PSD	000	C
0 PLACES $\pm$	DRAFT WHERE APPLICABLE MUST REMAIN WITHIN DIMENSIONS		APPR: YXZHENG		MATERIAL NUMBER		CUSTOMER	SHEET NUMBER
		THIRD ANGLE PROJECTION		DRAWING	SERIES	GENERAL MARKET		2 OF 5
				A3-SIZE	105313			

10	9	8	7	6	5	4	3	2	1
PART NUMBER	DIM 'A'	DIM 'B'	DIM 'C'	CKT SIZE	PLATING				
105313-1502	5.94	2.50	3.14	2	TIN				
105313-1503	8.44	5.00	5.64	3					
105313-1504	10.94	7.50	8.14	4					
105313-1505	13.44	10.00	10.64	5					
105313-1506	15.94	12.50	13.14	6					
105313-1507	18.44	15.00	15.64	7					
105313-1508	20.94	17.50	18.14	8					
105313-1702	5.94	2.50	3.14	2					
105313-1703	8.44	5.00	5.64	3					
105313-1704	10.94	7.50	8.14	4					
105313-1705	13.44	10.00	10.64	5					
105313-1706	15.94	12.50	13.14	6					
105313-1707	18.44	15.00	15.64	7					
105313-1708	20.94	17.50	18.14	8					
105313-1602	5.94	2.50	3.14	2	GOLD 0.76				
105313-1603	8.44	5.00	5.64	3					
105313-1604	10.94	7.50	8.14	4					
105313-1605	13.44	10.00	10.64	5					
105313-1606	15.94	12.50	13.14	6					
105313-1607	18.44	15.00	15.64	7					
105313-1608	20.94	17.50	18.14	8					
105313-1802	5.94	2.50	3.14	2					
105313-1803	8.44	5.00	5.64	3					
105313-1804	10.94	7.50	8.14	4					
105313-1805	13.44	10.00	10.64	5					
105313-1806	15.94	12.50	13.14	6					
105313-1807	18.44	15.00	15.64	7					
105313-1808	20.94	17.50	18.14	8					

COLOR: BLACK



10	9	8	7	6	5	4	3	2	1
PART NUMBER	DIM 'A'	DIM 'B'	DIM 'C'	CKT SIZE	PLATING				
105313-2502	5.94	2.50	3.14	2	TIN				
105313-2503	8.44	5.00	5.64	3					
105313-2504	10.94	7.50	8.14	4					
105313-2505	13.44	10.00	10.64	5					
105313-2506	15.94	12.50	13.14	6					
105313-2507	18.44	15.00	15.64	7					
105313-2508	20.94	17.50	18.14	8					
105313-2702	5.94	2.50	3.14	2					
105313-2703	8.44	5.00	5.64	3					
105313-2704	10.94	7.50	8.14	4					
105313-2705	13.44	10.00	10.64	5					
105313-2706	15.94	12.50	13.14	6					
105313-2707	18.44	15.00	15.64	7					
105313-2708	20.94	17.50	18.14	8					
105313-2602	5.94	2.50	3.14	2	GOLD 0.76				
105313-2603	8.44	5.00	5.64	3					
105313-2604	10.94	7.50	8.14	4					
105313-2605	13.44	10.00	10.64	5					
105313-2606	15.94	12.50	13.14	6					
105313-2607	18.44	15.00	15.64	7					
105313-2608	20.94	17.50	18.14	8					
105313-2802	5.94	2.50	3.14	2					
105313-2803	8.44	5.00	5.64	3					
105313-2804	10.94	7.50	8.14	4					
105313-2805	13.44	10.00	10.64	5					
105313-2806	15.94	12.50	13.14	6					
105313-2807	18.44	15.00	15.64	7					
105313-2808	20.94	17.50	18.14	8					

COLOR: NATURAL

FUNCTIONAL SYMBOLS	THIS DRAWING CONTAINS INFORMATION THAT IS PROPRIETARY TO MOLEX ELECTRONIC TECHNOLOGIES, LLC AND SHOULD NOT BE USED WITHOUT WRITTEN PERMISSION		CURRENT REV DESC:			<b>molex</b>			
	DIMENSION UNITS	SCALE							HEADER OF NANO-FIT, S/R, R/A POWER CONNECTOR
	$\nabla_A = 0$	mm	NTS	GENERAL TOLERANCES (UNLESS SPECIFIED)			PRODUCT CUSTOMER DRAWING		
	$\nabla_B = 0$	ANGULAR TOL $\pm 3.0^\circ$		EC NO: 648137			DOCUMENT NUMBER		
$\nabla_C = 0$	4 PLACES $\pm$		DRWN: GLLI 2020/10/30			DOC TYPE			
DIVISIONAL SYMBOLS	3 PLACES $\pm 0.1$		CHK'D: YXZHENG 2020/11/09			DOC PART			
	2 PLACES $\pm 0.2$		APPR: YXZHENG 2020/11/09			REVISION			
	1 PLACE $\pm 0.3$		INITIAL REVISION:			1053131000-SD			
	0 PLACES $\pm$		DRWN: GLLI 2019/09/25			PSD			
	DRAFT WHERE APPLICABLE MUST REMAIN WITHIN DIMENSIONS		APPR: YXZHENG 2020/03/16			000			
	THIRD ANGLE PROJECTION		DRAWING			C			
	DRAWING		SERIES			GENERAL MARKET			
	A3-SIZE		MATERIAL NUMBER			3 OF 5			
	105313		CUSTOMER						

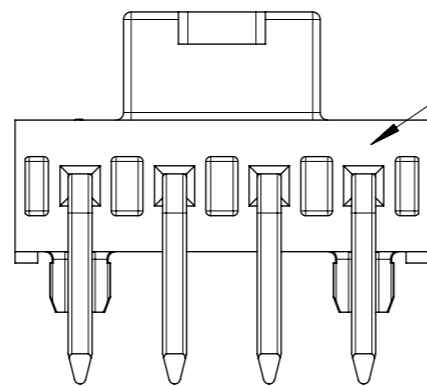
		2 CKT	3 CKT	4 CKT	5 CKT
F	BLACK				
E	NATURAL				
		6 CKT	7 CKT	8 CKT	
D	BLACK				
C	NATURAL				
B					

FUNCTIONAL SYMBOLS	THIS DRAWING CONTAINS INFORMATION THAT IS PROPRIETARY TO MOLEX ELECTRONIC TECHNOLOGIES, LLC AND SHOULD NOT BE USED WITHOUT WRITTEN PERMISSION		CURRENT REV DESC:		<b>molex</b>		
	$\nabla_A = 0$ $\nabla_F = 0$ $\nabla_V = 0$	DIMENSION UNITS: <b>mm</b> SCALE: <b>NTS</b>					
DIVISIONAL SYMBOLS	4 PLACES	$\pm$	EC NO: 648137	2020/10/30	PRODUCT CUSTOMER DRAWING		
	3 PLACES	$\pm 0.1$	DRWN: GLLI	2020/11/09			
	2 PLACES	$\pm 0.2$	CHK'D: YXZHENG	2020/11/09	DOCUMENT NUMBER		DOC TYPE
	1 PLACE	$\pm 0.3$	APPR: YXZHENG	2019/09/25	1053131000-SD		PSD
	0 PLACES	$\pm$	INITIAL REVISION:	2020/03/16	DOC PART	000	REVISION
DRAFT WHERE APPLICABLE MUST REMAIN WITHIN DIMENSIONS		THIRD ANGLE PROJECTION	DRAWING	SERIES	MATERIAL NUMBER	CUSTOMER	SHEET NUMBER
			A3-SIZE	105313		GENERAL MARKET	4 OF 5

NOTES FOR ALL PARTS

1> MATERIAL:  
 HOUSING: LCP, UL 94V-0; TERMINAL: BRASS.  
 2> PLATING FINISHED:  
 TERMINAL:  
 CONTACT AREA: a. REFLOW MATTE TIN 1.5MICRONS MIN;  
 b. GOLD 0.38 MICRONS MIN;  
 c. GOLD 0.76 MICRONS MIN.  
 SOLDER AREA: MATTE TIN 1.5 MICRONS MIN, UNDER PLATING NICKEL 1.25 MICRONS MIN.

3> PRODUCT SPECIFICATION: PS-105300-100.  
 4> PACKAGE: TAPE REEL, 1053131000-PK.  
 5> PRODUCT MATE WITH SERIES OF 105307(RECEPTACLE), 105300(CRIMP TERMINAL).  
 6> PARTS CONFORM TO CLASS 'B'REQUIREMENTS OF COSMETIC SPECIFICATION PS-45499-002.  
 7> DISCOLORATION IN THE BANDOLIER PIN CARRIER AREA OF THE PIN IS INHERENT TO THE PLATING PROCESS AND IS DUE TO THE MASKING DEFECT OF THE CARRIER, THIS DISCOLORATION IS IN A NON-FUNCTION AREA OF THE PIN AND WILL NOT AFFECT THE PERFORMANCE OF THE HEADER ASSEMBLY.



IF ANY NUMBER MARK APPEARS ON THIS SURFACE, PLEASE DISREGARD IT, IT IS NO ANY FUCTION AND NO ANY RELATION TO PIN NUMBER, IT IS JUST FOR MOLDING IDENDIFICATION.

FUNCTIONAL SYMBOLS	THIS DRAWING CONTAINS INFORMATION THAT IS PROPRIETARY TO MOLEX ELECTRONIC TECHNOLOGIES, LLC AND SHOULD NOT BE USED WITHOUT WRITTEN PERMISSION		CURRENT REV DESC:		<b>molex</b>				
	mm	NTS							
DIVISIONAL SYMBOLS	GENERAL TOLERANCES (UNLESS SPECIFIED)		EC NO: 648137 DRWN: GLLI 2020/10/30 CHK'D: YXZHENG 2020/11/09 APPR: YXZHENG 2020/11/09		HEADER OF NANO-FIT, S/R, R/A POWER CONNECTOR				
	ANGULAR TOL ± 3.0 °				PRODUCT CUSTOMER DRAWING				
	4 PLACES	±			DOCUMENT NUMBER		DOC TYPE	DOC PART	REVISION
	3 PLACES	± 0.1			1053131000-SD		PSD	000	C
	2 PLACES	± 0.2			INITIAL REVISION:				
1 PLACE	± 0.3	DRWN: GLLI 2019/09/25							
0 PLACES	±	APPR: YXZHENG 2020/03/16							
DRAFT WHERE APPLICABLE MUST REMAIN WITHIN DIMENSIONS		THIRD ANGLE PROJECTION	DRAWING	SERIES	MATERIAL NUMBER	CUSTOMER	SHEET NUMBER		
			A3-SIZE	105313		GENERAL MARKET	5 OF 5		