

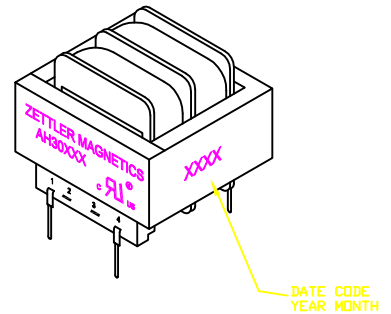
TRANSFORMER, POWER, PCB 2.4VA  
SINGLE 115V PRIMARY DUAL SECONDARIES

1. ELECTRICAL SPECIFICATIONS:

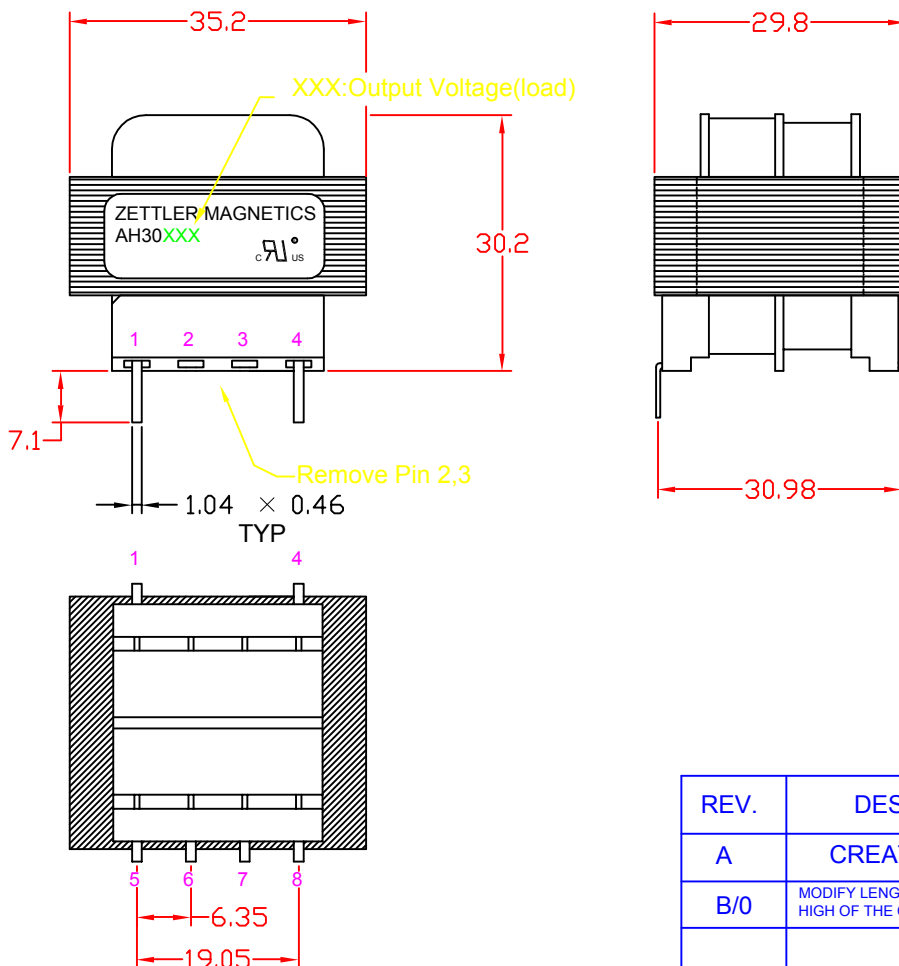
- A. Maximum Power: 2.4 VA
- B. Input Voltage and Frequency: 115V± 10% @ 50/60Hz
- C. Secondary Voltage: See Electrical Table
- D. Temperature Rise: 45° C MAX allowed
- E. Excitation Current: 25mA MAX
- F. Hi-Pot: 2500Vrms 1 minute @ Pri. to Sec.  
1500Vrms 1 minute @ Pri. to Core  
1500Vrms 1 minute @ Sec. to Core

G. Safety:

Insulation System ZM-130-5, Class B, UL File No.E177235  
UL506, General Purpose, US and Canada, File No.E177998



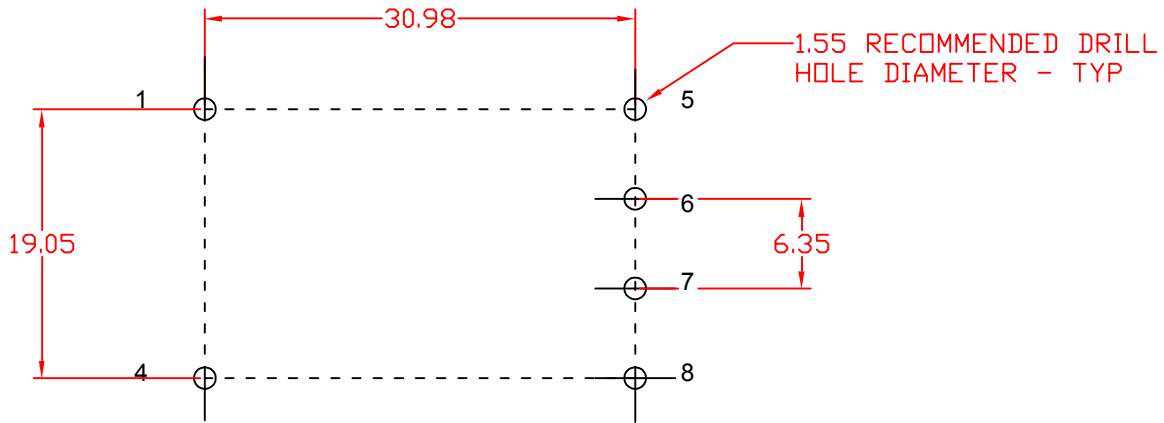
2. MECHANICAL SPECIFICATIONS:



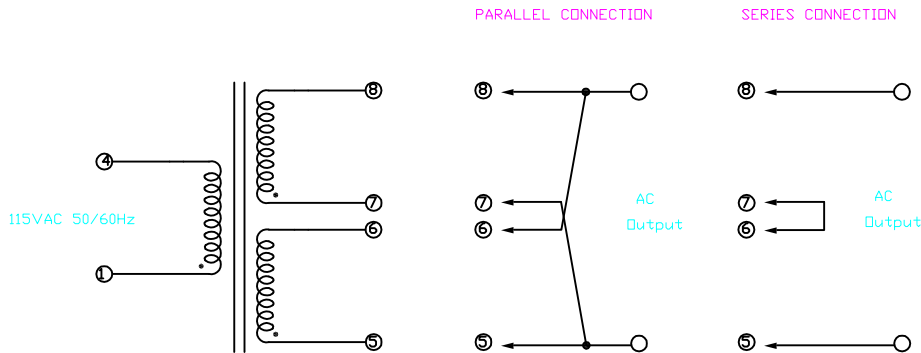
REV.	DESCRIPTION	DRAWN	DATE(M/D/Y)
A	CREATED DRAWING	ZHENG	June 17,2002
B/0	MODIFY LENGTHS OF THE PIN,ADD THE HIGH OF THE CENTER BOBBIN WALL	ye	June 12,2006

TOLERANCE	SCALE NOT 1:1	UNIT mm	DATE (M/D/Y)	MODEL DESCRIPTION	
X	±0.3	DRAWN	ye	<p style="text-align: center;"><b>ZETTLER MAGNETICS</b></p> <p style="text-align: center;"><b>TITLE AH300 SERIES PCD</b></p>	
X.X	±0.2	CHECKED			
X.XX	±0.1	QC			
THICKNESS	/	APPROVED			
REV.	B/0	E:\ACAD\AH30048\AH30048PCD		MATERIAL Class B 130° C	
				MODEL: AH300 SERIES	
				SHEET: 1 OF 2	

3. MOUNTING FOOTPRINT:



4. SCHEMATIC DIAGRAM:



5. ELECTRICAL TABLE:

PART NO.	PARALLEL CONNECTION		SERIES CONNECTION	
	AC VOLTAGE	CURRENT	AC VOLTAGE	CURRENT
AH30010	5V	500mA	10V	250mA
AH30012	6.3V	400mA	12.6V	200mA
AH30016	8V	300mA	16V	150mA
AH30020	10V	240mA	20V	120mA
AH30024	12V	200mA	24V	100mA
AH30028	14V	170mA	28V	85mA
AH30036	18V	130mA	36V	65mA
AH30048	24V	100mA	48V	50mA
AH30056	28V	90mA	56V	45mA
AH30120	60V	40mA	120V	20mA

REV.	DESCRIPTION	DRAWN	DATE(M/D/Y)
A	CREATED DRAWING	ZHENG	June 17,2002
B/0	MODIFY LENGTHS OF THE PIN,ADD THE HIGH OF THE CENTER BOBBIN WALL	ye	June 12,2006

TOLERANCE		SCALE NOT 1:1	UNIT mm	DATE (M/D/Y)	MODEL DESCRIPTION	
X	± 0.3	DRAWN	ye	June 12,2006	<b>ZETTLER MAGNETICS</b>	MATERIAL Class B 130° C
X.X	± 0.2	CHECKED				MODEL: AH300 SERIES
X.XX	± 0.1	QC			<b>TITLE AH300 SERIES PCD</b>	SHEET: 2 OF 2
THICKNESS	/	APPROVED				
REV.	B/0	E:\ACAD\AH300SERIES\AH300SERIESPCD				