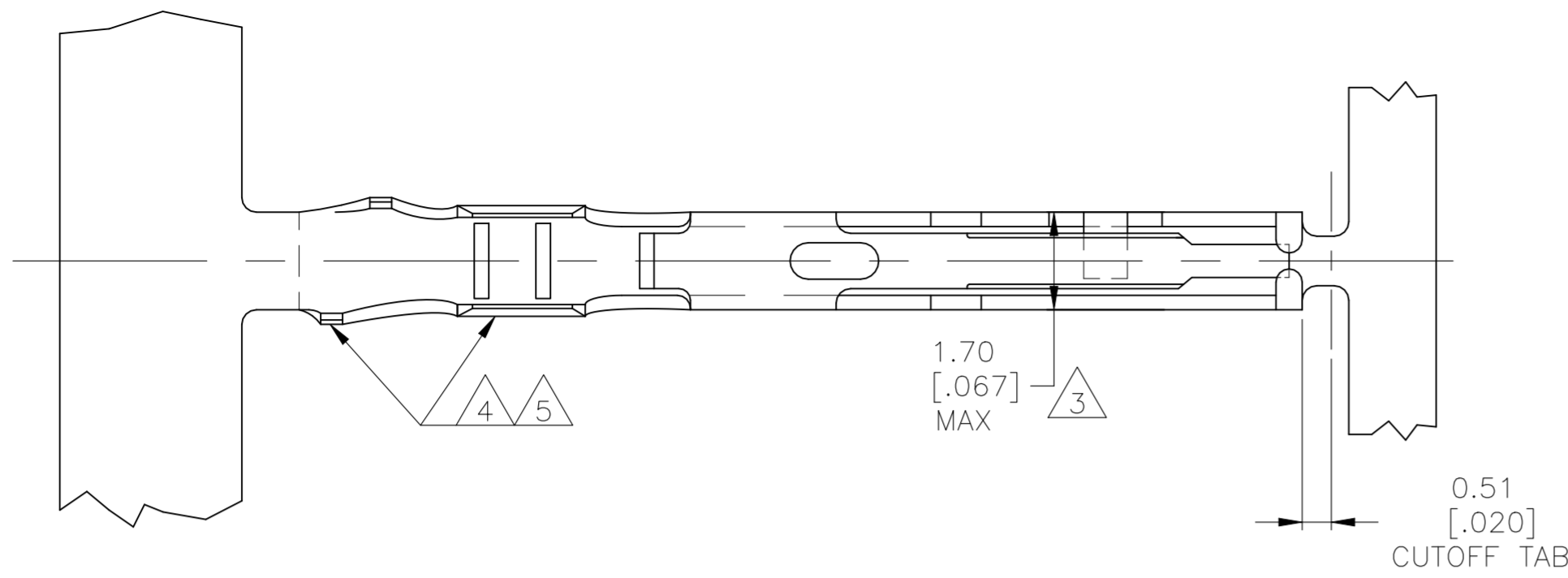
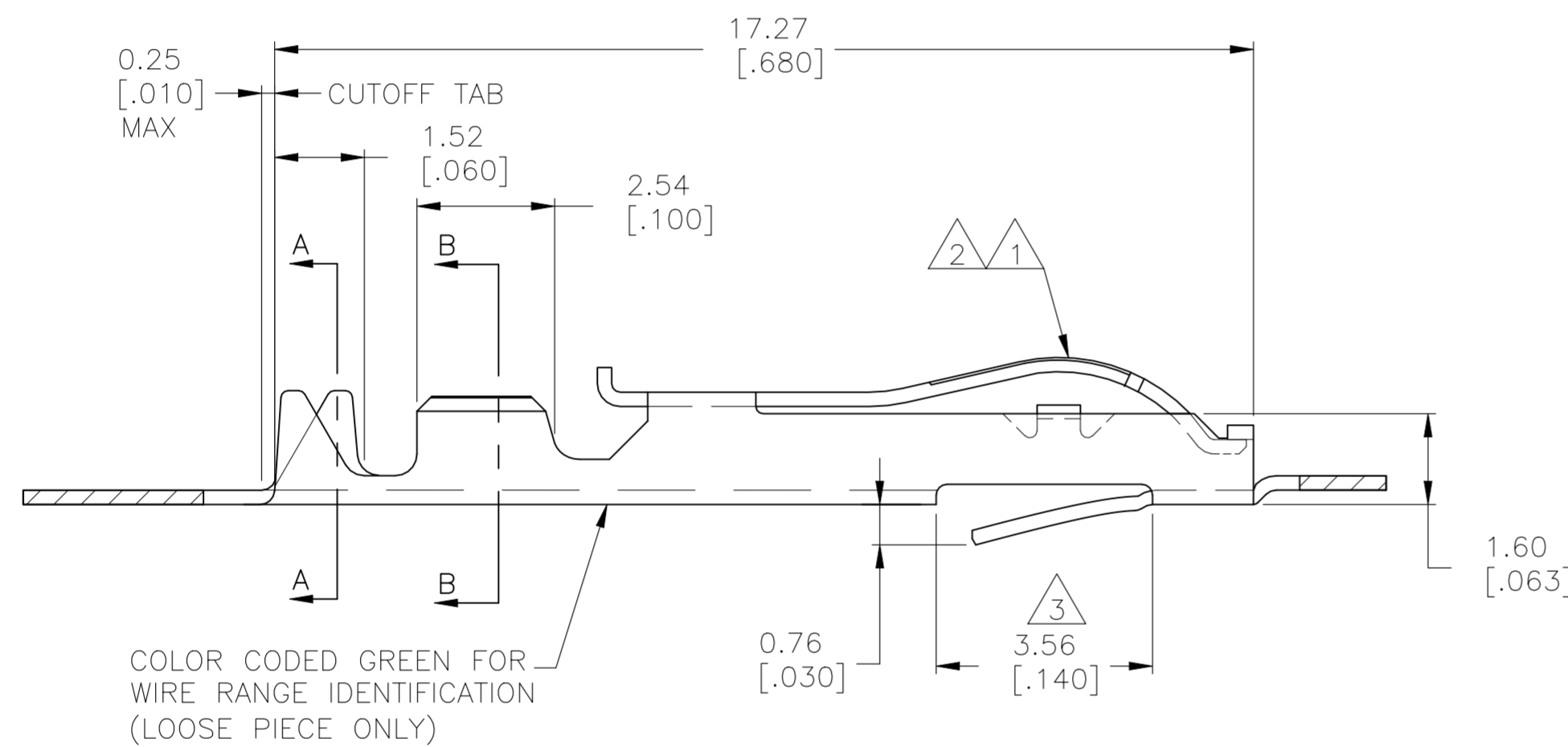


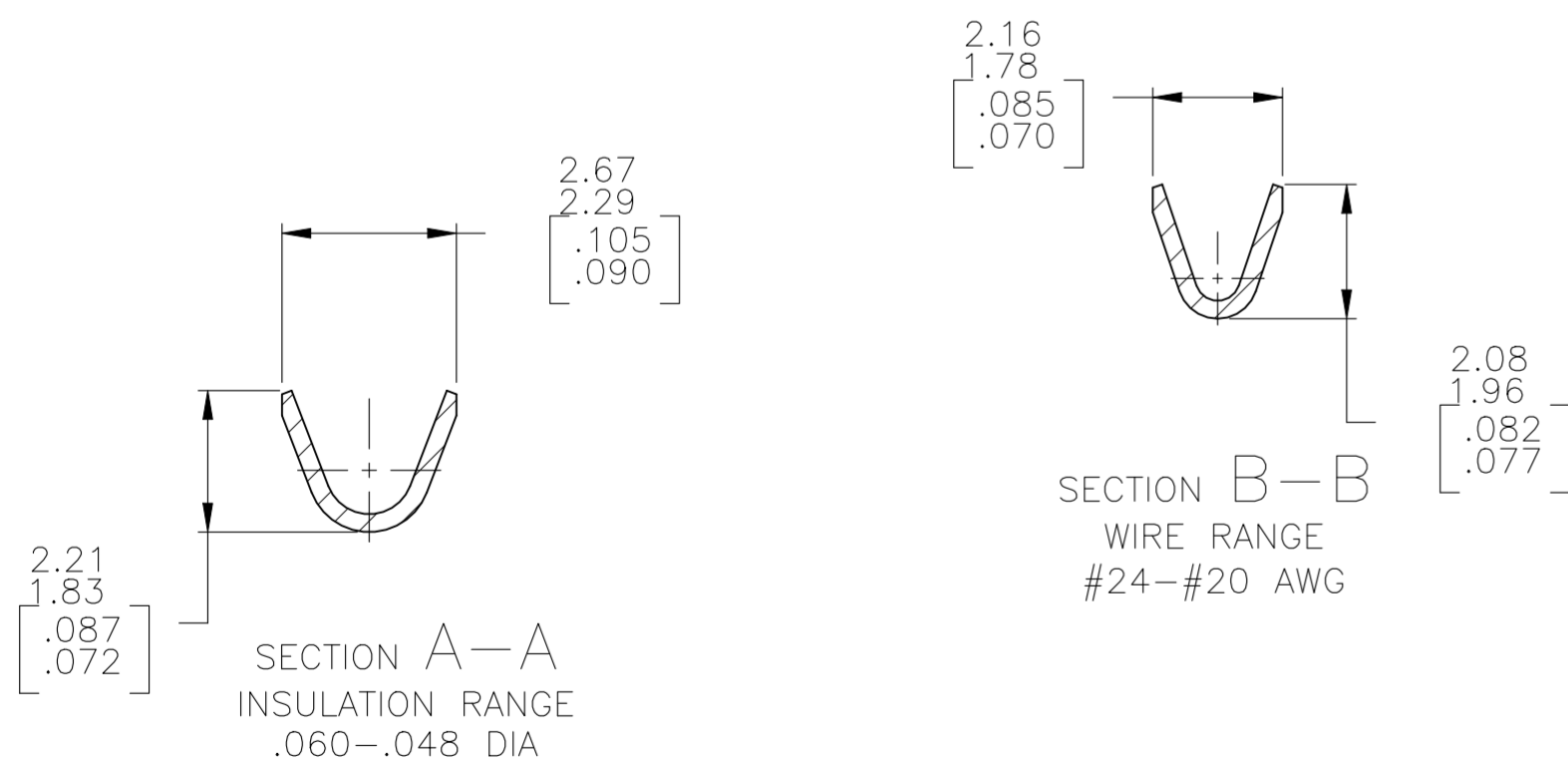
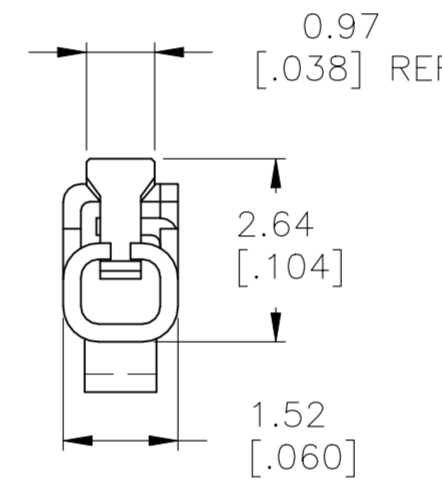
REVISIONS					
P	LTR	DESCRIPTION	DATE	DWN	APVD
K1		REVISED PER ECN-22-171534	30AUG2022	RK	JO



- 1 .000030 GOLD OVER .000030 NICKEL IN CONTACT AREA.
- 2 .000015 GOLD OVER .000030 NICKEL IN CONTACT AREA.
- 3 .067 MAX ALLOWED IN LOCKING POSITION AREA FOR .140 REF LENGTH.
- 4 TIN-LEAD IN CRIMP AREA.
- 5 MATTE TIN PLATE IN CRIMP AREA.
- 6 OBSOLETE



COLOR CODED GREEN FOR WIRE RANGE IDENTIFICATION (LOOSE PIECE ONLY)



1 5	5-531477-5	5-531477-4
2 5	5-531477-3	5-531477-2
1 4	531477-5	531477-4
2 4	531477-3	531477-2
FINISH	LOOSE PIECE	PART NUMBER

THIS DRAWING IS A CONTROLLED DOCUMENT.		DWN A. STAUB_BG 02AUG93		
DIMENSIONS: mm [INCHES]		CHK H ROSE 08FEB94		
TOLERANCES UNLESS OTHERWISE SPECIFIED:		APVD H ROSE 08FEB94	NAME	
0 PLC ± -		PRODUCT SPEC	-	
1 PLC ± -		APPLICATION SPEC	-	
2 PLC ± -		WEIGHT	-	
3 PLC ± -		MATERIAL PHOS BRONZE	-	
4 PLC ± -		FINISH SEE TABLE	-	
ANGLES ± -		CUSTOMER DRAWING	-	
SIZE		CAGE CODE	DRAWING NO	RESTRICTED TO
A2		00779	C=531477	-
SCALE		SHEET	REV	
10:1		1 OF 1	K1	