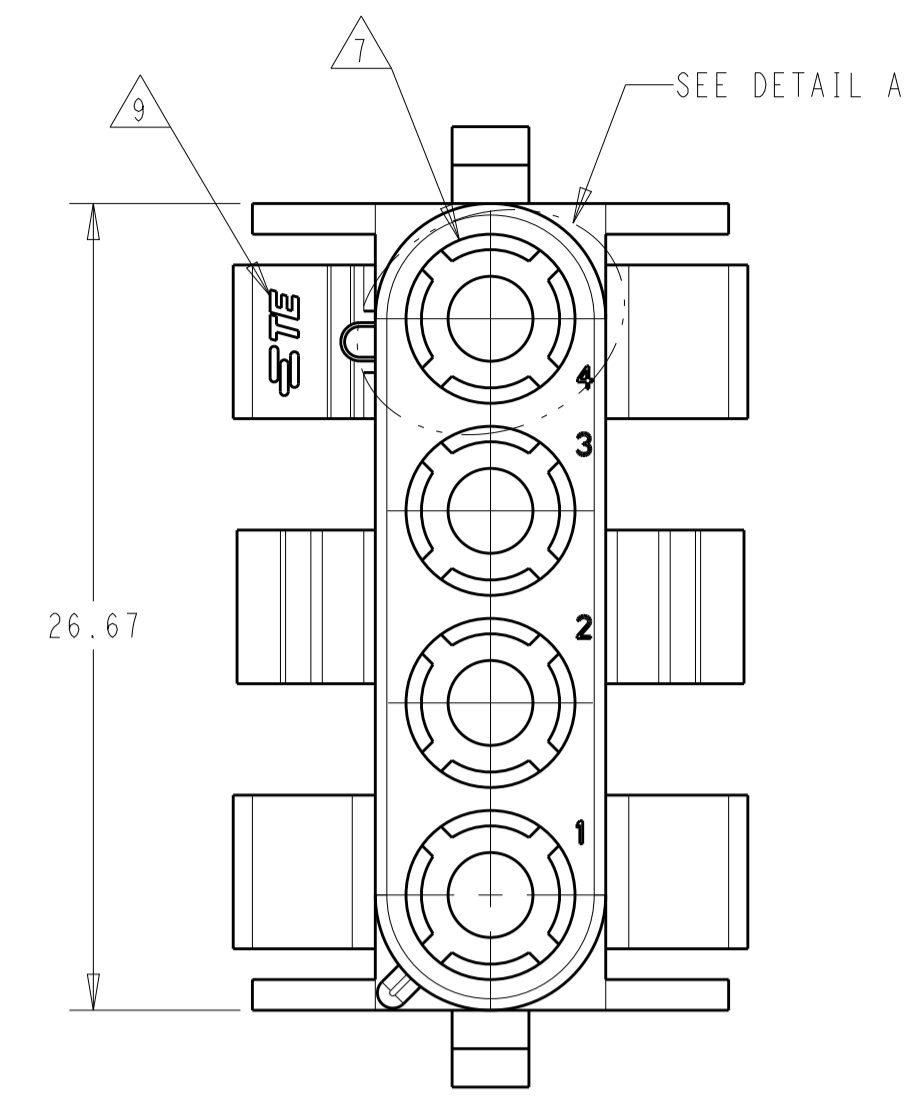
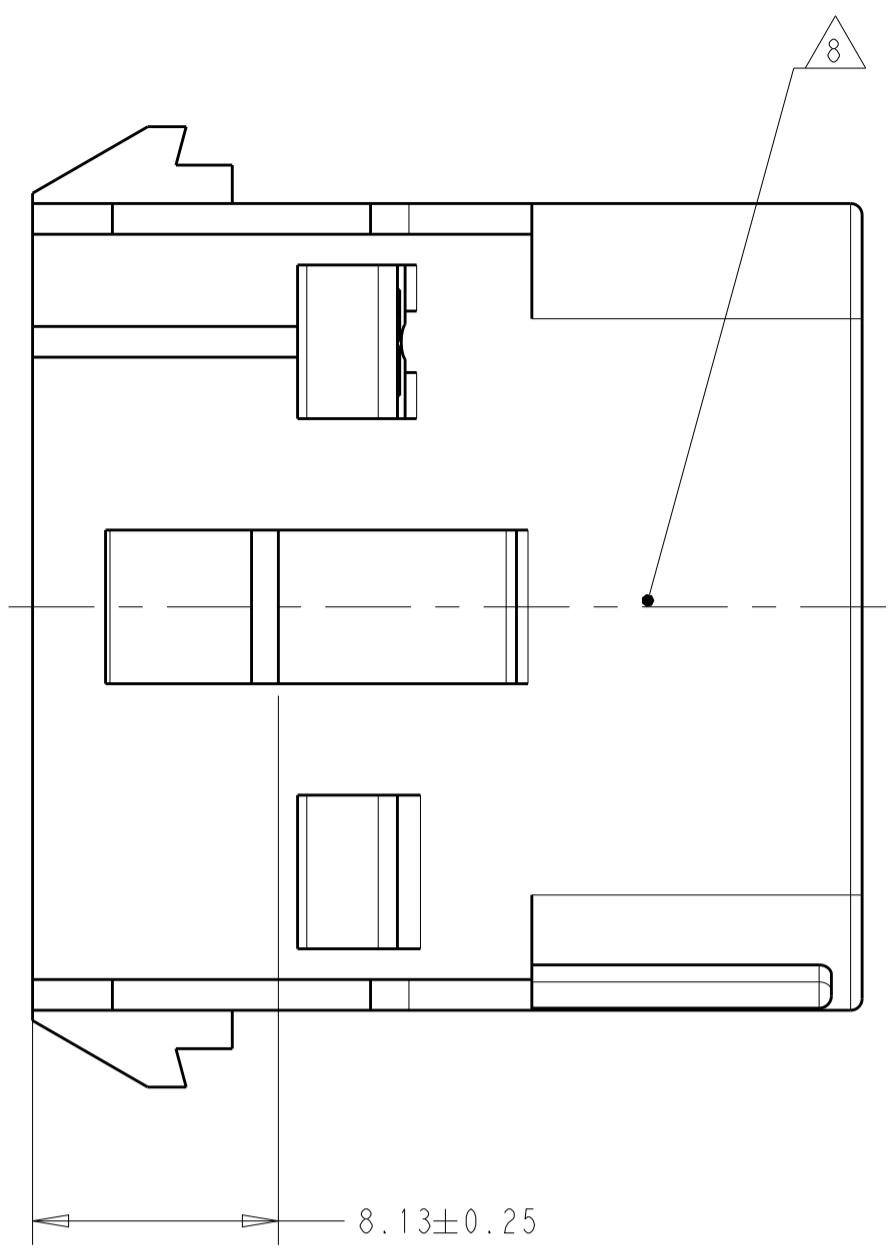
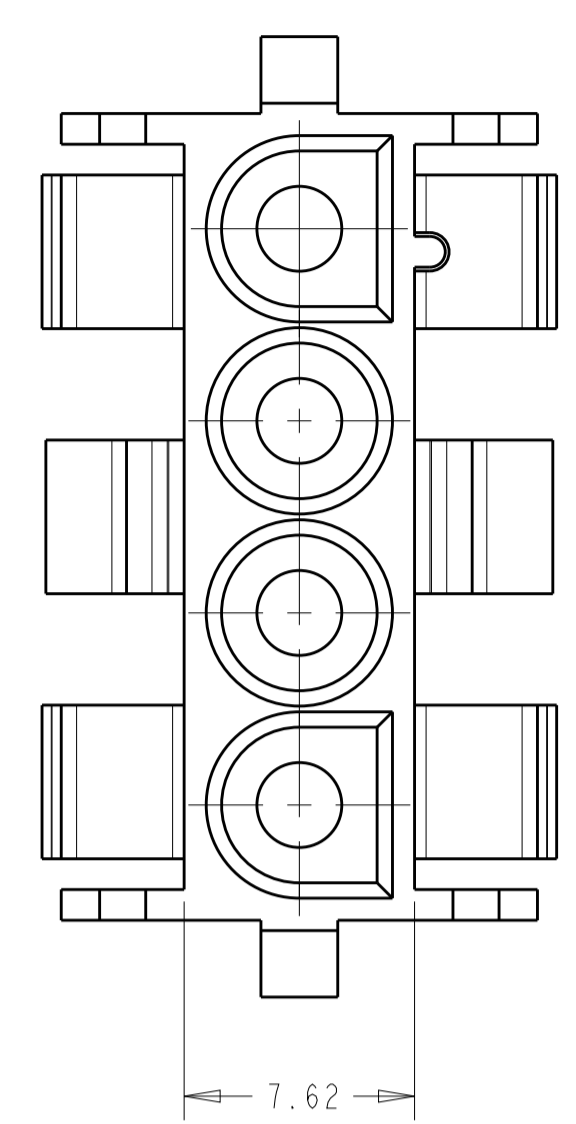
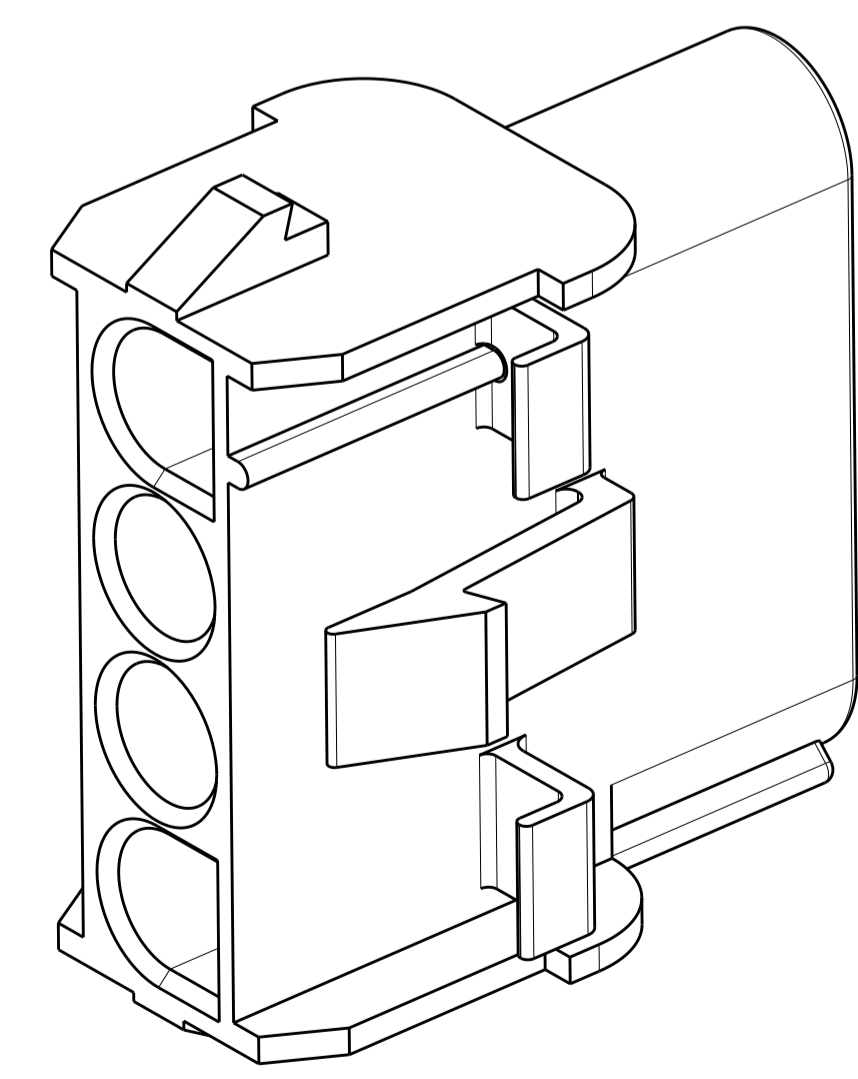
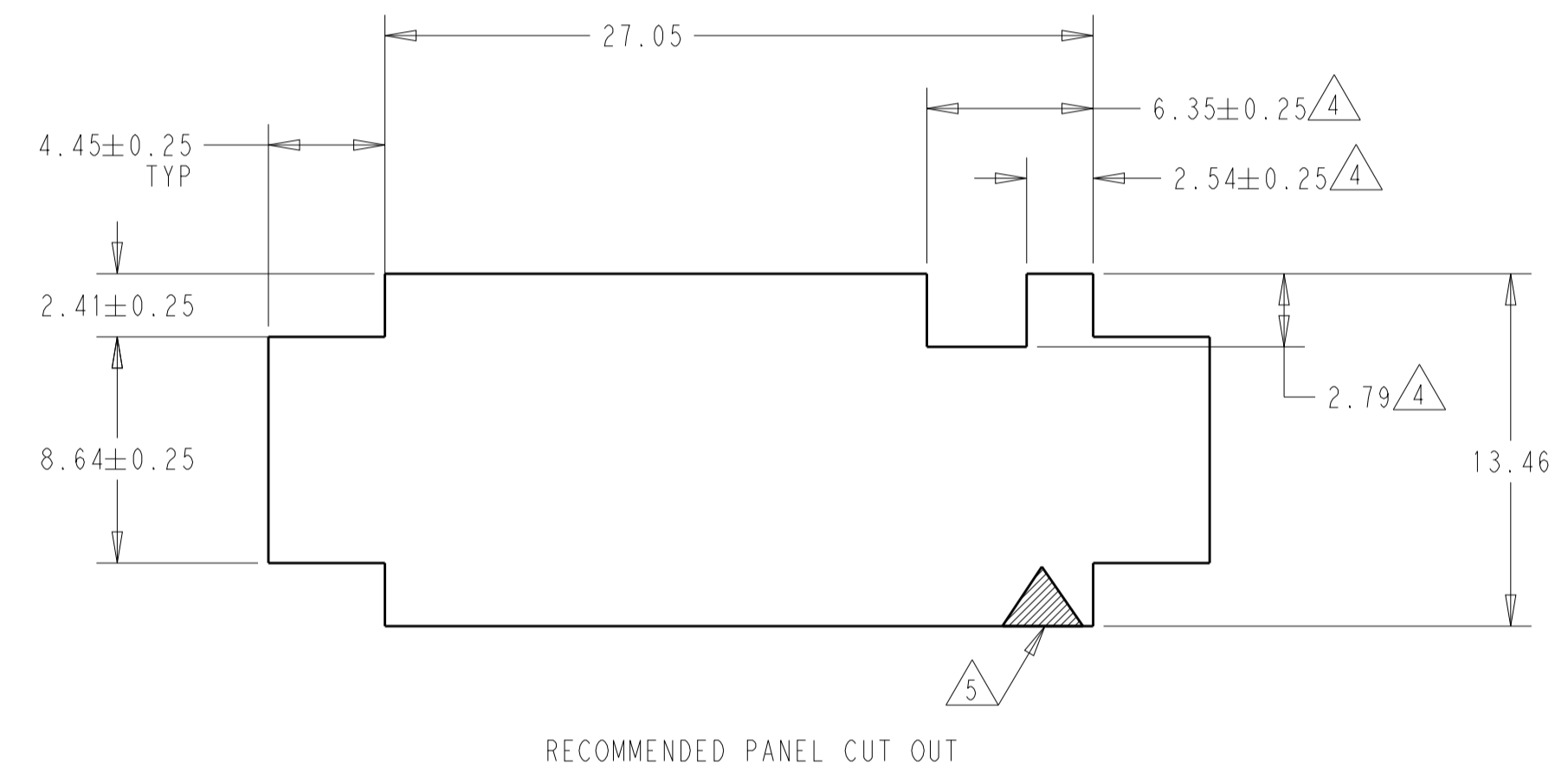
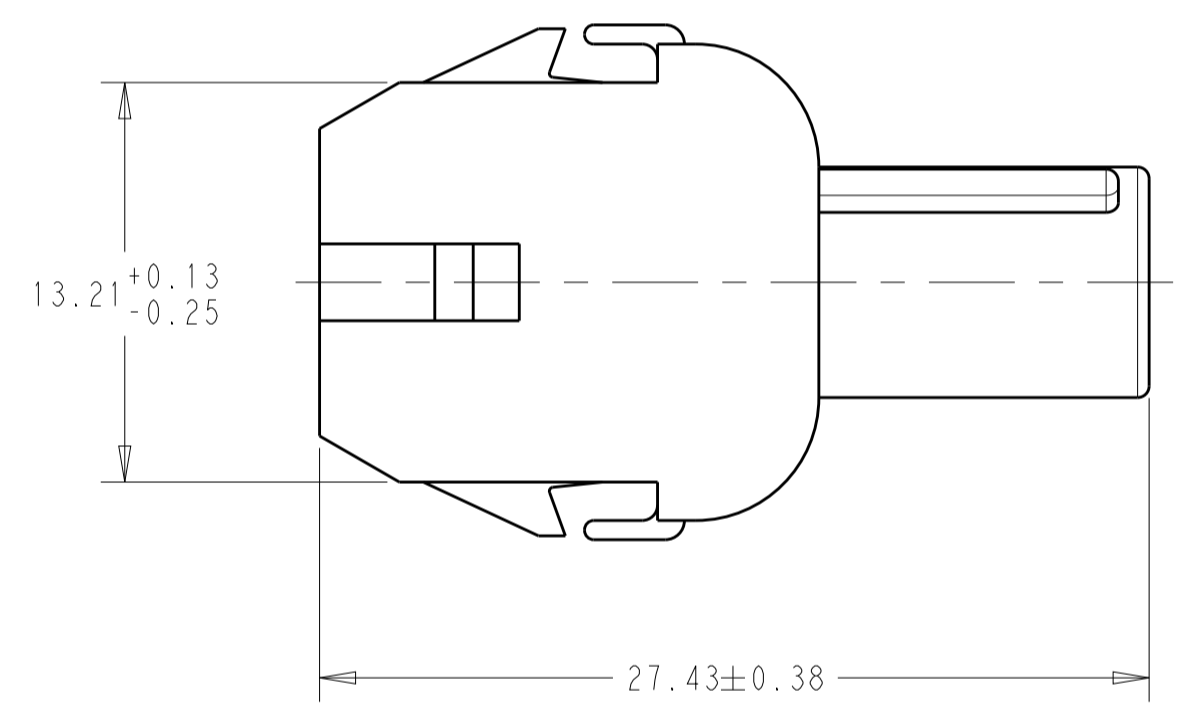
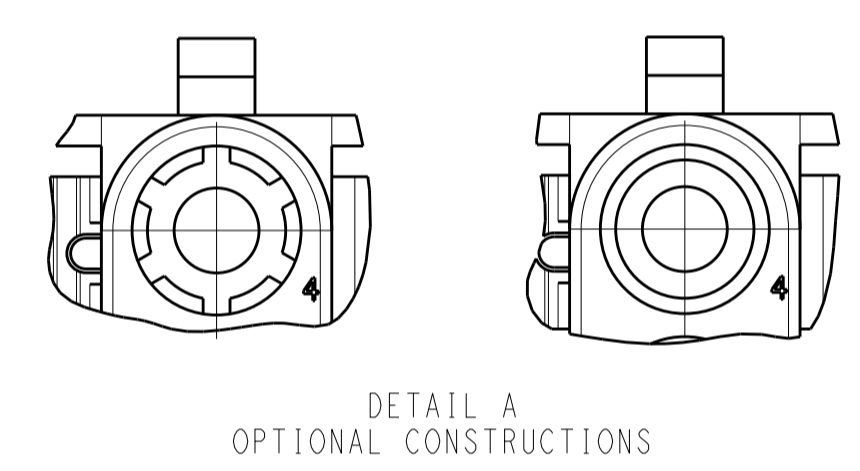


REVISIONS				
P.	LTN	DESCRIPTION	DATE	APVD
V6		REDRAWN PER ECO-19-005708	03MAY2019	BKW SF
W		REVISED PER ECO-20-006810	01JUN2020	BKW SF



1. MATES WITH APPROPRIATE UNIVERSAL MATE-N-LOCK™ PLUG
2. RECOMMENDED PANEL THICKNESS 0.76 - 2.29.
3. PANEL MUST BE PUNCHED SO THAT THE HOUSING ENTERS THE PANEL IN THE SAME DIRECTION AS THE PUNCH.
4. OPTIONAL FOR KEYING HOUSING IN PANEL.
5. CIRCUIT NUMBER 1 LOCATION.
6. DIMENSIONS SHOWN REPRESENT PRODUCT IN DRY, AS MOLDED, CONDITION. ADDITIONAL 2% GROWTH DUE TO SUBSEQUENT MOISTURE ABSORPTION MAY OCCUR AND SHOULD BE ACCOUNTED FOR.
7. FOUR RIBS EQUALLY SPACED, NO SPECIFIC ORIENTATION. NO RIBS OR SIX RIBS EQUALLY SPACED, NO SPECIFIC ORIENTATION, OPTIONAL.
8. UNDERWRITERS RECOGNIZED COMPONENT LOGO AND CSA CERTIFICATION LOGO TO BE LOCATED ONCE EACH ON SIDE OF HOUSING.
9. TRADEMARK LOCATION: AMP OR TE



CUSTOMER RESTRICTED	COLOR	PART NUMBER
	NATURAL	350780-2
	BLACK	1-350780-9
OBSOLETE	GRAY	1-350780-8
OBSOLETE	BLUE	1-350780-6
	GREEN	1-350780-5
OBSOLETE	YELLOW	1-350780-4
OBSOLETE	ORANGE	1-350780-3
OBSOLETE	RED	1-350780-2
OBSOLETE	BROWN	1-350780-1
	NATURAL	350780-1
	COLOR	PART NUMBER

THIS DRAWING IS A CONTROLLED DOCUMENT.

DIMENSIONS:	TOLERANCES UNLESS OTHERWISE SPECIFIED:	0 PLC ±	1 PLC ±	2 PLC ±0.13	3 PLC ±	4 PLC ±	ANGLES ±1°	FINISH	
mm									

DWN	B. WEAVER	03MAY2019
CHK	S. FERNANDES	03MAY2019
APVD	T. BENCHOFF	03MAY2019
PRODUCT SPEC	108-1031	
APPLICATION SPEC	114-1010	
WEIGHT		
CUSTOMER DRAWING		

TE TE Connectivity

NAME: CAP, 4 CIRCUIT, UNIVERSAL MATE-N-LOCK

SIZE: A | CAGE CODE: 00779 | DRAWING NO: 350780 | RESTRICTED TO: W

SCALE: 4:1 | SHEET: 1 OF 1 | REV: W