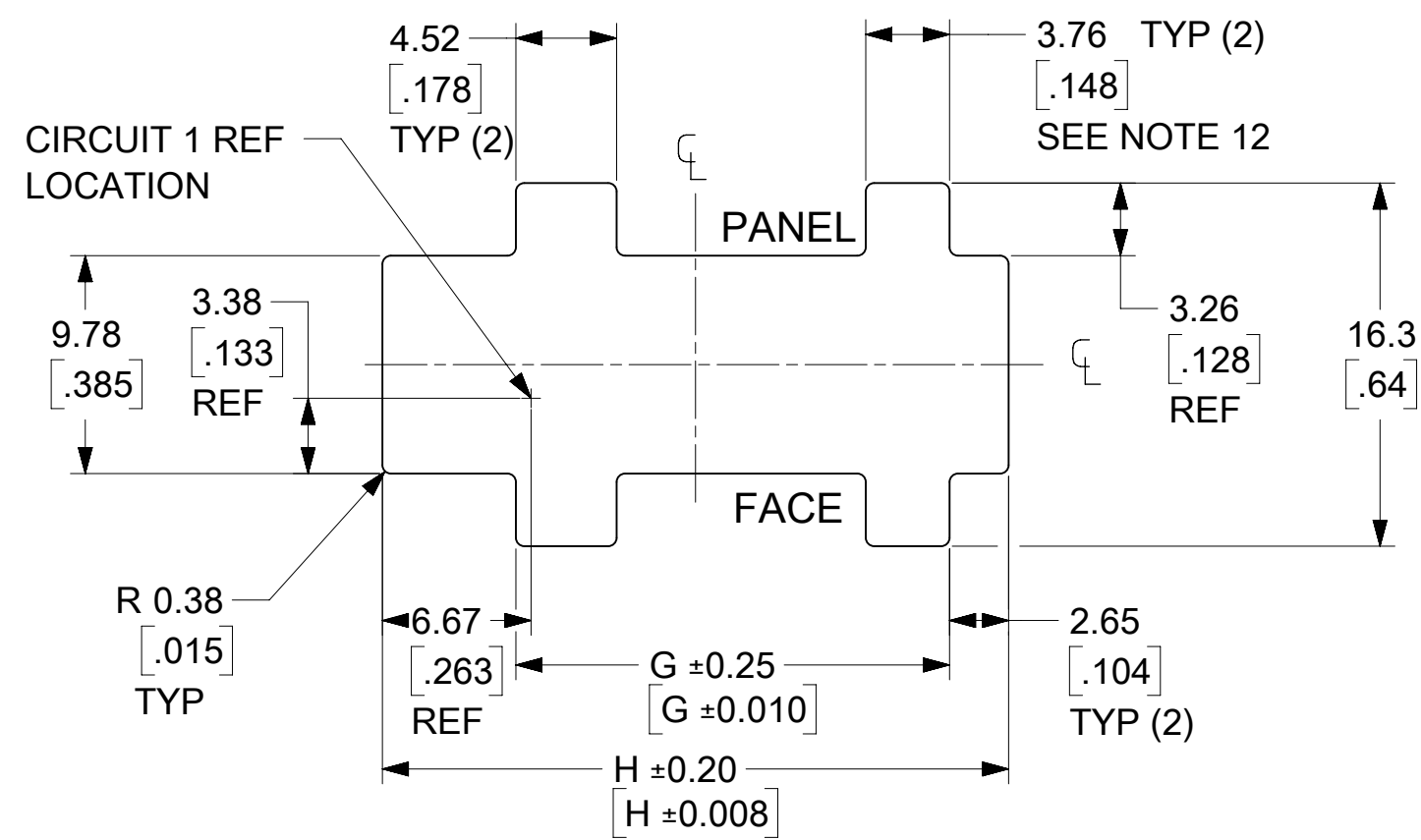


CIRCUIT SIZE	MATERIAL NUMBER	DIM "A"	DIM "B"
4	44133-0400	$\frac{24.6}{.97}$	$\frac{3.00}{.118}$
6	44133-0600	$\frac{27.7}{1.09}$	$\frac{6.00}{.236}$
8	44133-0800	$\frac{30.7}{1.21}$	$\frac{9.00}{.354}$
10	44133-1000	$\frac{33.8}{1.33}$	$\frac{12.00}{.472}$
12	44133-1200	$\frac{36.8}{1.45}$	$\frac{15.00}{.591}$
14	44133-1400	$\frac{39.8}{1.57}$	$\frac{18.00}{.709}$
16	44133-1600	$\frac{42.8}{1.69}$	$\frac{21.00}{.827}$
18	44133-1800	$\frac{45.8}{1.80}$	$\frac{24.00}{.945}$
20	44133-2000	$\frac{48.8}{1.92}$	$\frac{27.00}{1.063}$
22	44133-2200	$\frac{51.8}{2.04}$	$\frac{30.00}{1.181}$
24	44133-2400	$\frac{54.8}{2.16}$	$\frac{33.00}{1.299}$

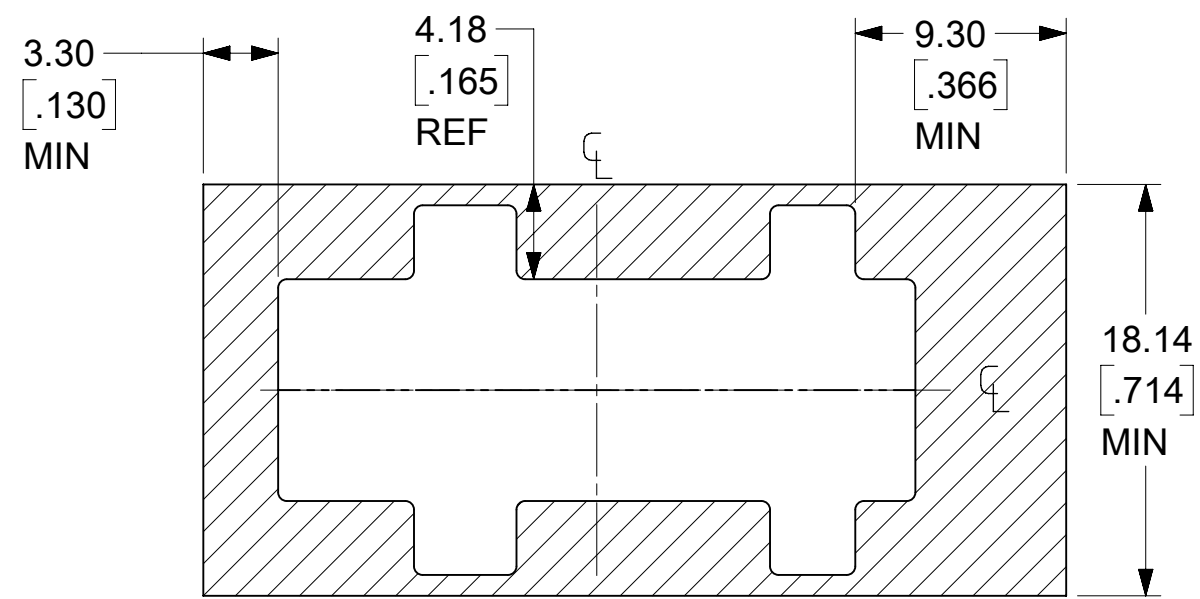
- NOTES:
1. MATERIAL: UNFILLED POLYESTER (PBT), UL94V-0, COLOR: BLACK
 2. FINISH: N/A
 3. PRODUCT SPECIFICATION: PS-44300-001
 4. PACKAGING SPECIFICATION: TRAY PACKED PER PK-44133-002
 5. THIS RECEPTACLE MATES WITH MOLEX BMI PLUG 44300, MOLEX BMI VERTICAL PCB HEADER 44432, MOLEX BMI RIGHT ANGLE PCB HEADER 44428, & MOLEX BMI CPI VERTICAL PCB HEADER 45280. (MOLEX DRAWINGS SD-44300-001, SD-44428-001, SD-44432-001, & SD-45280-001)
 6. THIS RECEPTACLE TO BE USED WITH MOLEX FEMALE CRIMP TERMINALS ONLY (SERIES 43030, 45773, OR 46235). SEE APPLICATION SPECIFICATION AS-44133-001 FOR TERMINAL ORIENTATION IN HOUSING.
 7. THIS RECEPTACLE IS DESIGNED FOR USE WITH 1.57/.062 MAX. TO 1.27/.050 MINIMUM THICK PANELS.
 8. DIMENSIONS GIVEN ACROSS CENTERLINES ARE SYMMETRICAL ABOUT THOSE CENTERLINES WITHIN THE TOTAL TOLERANCE.
 9. WHEN MATING WITH 44300 SERIES, THE PANEL CUT-OUT CENTERLINES OF DIM "H" AND 9.78/.385 MUST ALIGN WITH POINT "M" DEFINED BY MOLEX DRAWING SD-44300-001.
 10. MOLEX RECOMMENDS THE USE OF MICRO-FIT TEST PLUG (SERIES 44242) WHENEVER CONTINUITY TESTING IS PERFORMED. TEST PLUGS MUST NOT BE USED TO MAKE OR BREAK UNDER LOAD. MOLEX DOES NOT RECOMMEND USING STANDARD MATING COMPONENTS (SERIES 44428, 44432, 44300 OR 45280) FOR HARNESS TESTING PURPOSES.
 11. PART CONFORMS TO CLASS 'B' REQUIREMENTS OF COSMETIC SPECIFICATION PS-45499-002. SOME HOUSINGS MAY HAVE A SMALL GATE BLEMISH NEAR THE GATE LOCATION THAT DOES NOT AFFECT FUNCTIONALITY. HOUSINGS MAY EXHIBIT A SURFACE IMPERFECTION KNOW AS "SINK MARKS" UP TO 0.60/.024 MAX. THIS IS A COSMETIC DEFECT AND DOES NOT EFFECT FUNCTION OF THE CONNECTOR.
 12. THE WIDTH OF THE NARROW SLOTS SHOULD BE 2.90-3.28/.114-.129 (MIN-MAX) IF KEYING OF THE CONNECTOR TO THE CUT-OUT IS DESIRED.

FUNCTIONAL SYMBOLS	THIS DRAWING CONTAINS INFORMATION THAT IS PROPRIETARY TO MOLEX ELECTRONIC TECHNOLOGIES, LLC AND SHOULD NOT BE USED WITHOUT WRITTEN PERMISSION		CURRENT REV DESC: ADD KEEPOUT, 6.67 DIM IN PANEL	
	DIMENSION UNITS	SCALE		
$\frac{F}{A} = 0$	MM/INCH	NTS		
$\frac{F}{C} = 0$	GENERAL TOLERANCES (UNLESS SPECIFIED)			
$\frac{F}{P} = 0$		MM	INCH	
DIVISIONAL SYMBOLS	4 PLACES	±	±	
	3 PLACES	±	± 0.01	
	2 PLACES	± 0.25	± 0.014	
	1 PLACE	± 0.35	±	
	0 PLACES	±	±	
	ANGULAR TOL	± 0.5 °		
DRAFT WHERE APPLICABLE MUST REMAIN WITHIN DIMENSIONS		THIRD ANGLE PROJECTION	DRAWING	SERIES
			C-SIZE	44133

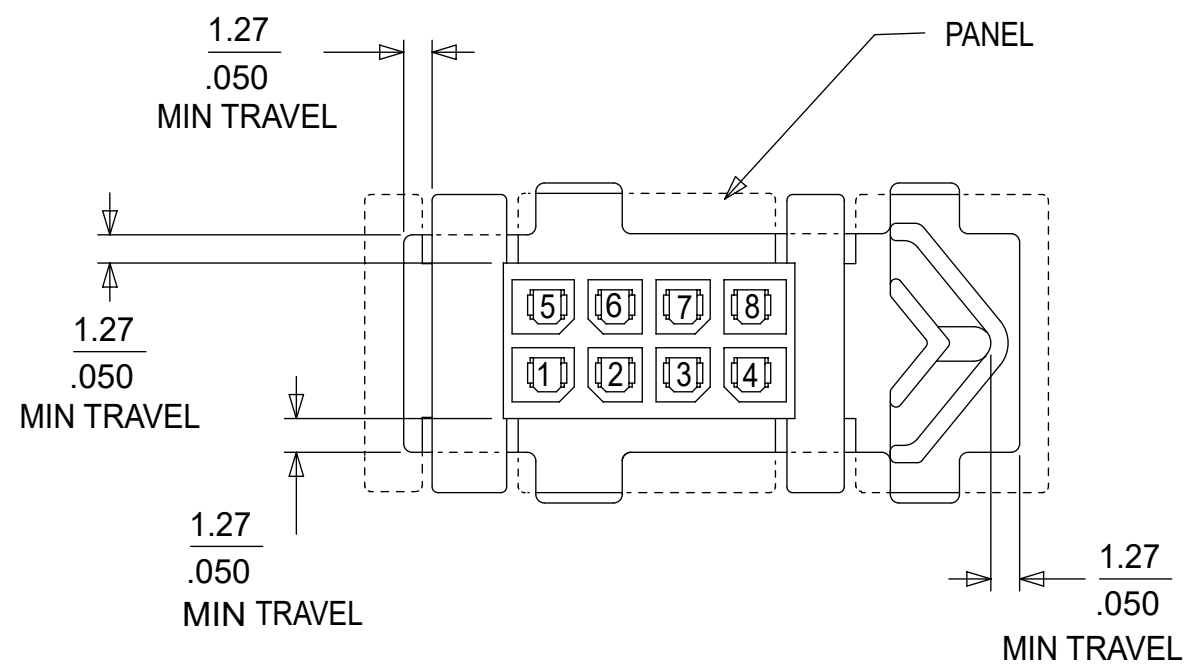
DOCUMENT NUMBER		DOC TYPE	DOC PART	REVISION
SD-44133-001		PSD	001	L6
MATERIAL NUMBER		CUSTOMER		SHEET NUMBER
		GENERAL MARKET		1 OF 2



RECOMMENDED PANEL CUTOUT
(SEE NOTES 7, 9, AND 12)



KEEPOUT AREA



RECEPTACLE SHOWN MOUNTED IN PANEL

CIRCUIT SIZE	DIM "G"	DIM "H"
4	$\frac{13.46}{.530}$	$\frac{22.10}{.870}$
6	$\frac{16.46}{.648}$	$\frac{25.10}{.988}$
8	$\frac{19.46}{.766}$	$\frac{28.10}{1.106}$
10	$\frac{22.46}{.884}$	$\frac{31.10}{1.224}$
12	$\frac{25.46}{1.002}$	$\frac{34.10}{1.343}$
14	$\frac{28.46}{1.120}$	$\frac{37.10}{1.461}$
16	$\frac{31.46}{1.239}$	$\frac{40.10}{1.579}$
18	$\frac{34.46}{1.357}$	$\frac{43.10}{1.697}$
20	$\frac{37.46}{1.475}$	$\frac{46.10}{1.815}$
22	$\frac{40.46}{1.593}$	$\frac{49.10}{1.933}$
24	$\frac{43.46}{1.711}$	$\frac{52.10}{2.051}$

FUNCTIONAL SYMBOLS	THIS DRAWING CONTAINS INFORMATION THAT IS PROPRIETARY TO MOLEX ELECTRONIC TECHNOLOGIES, LLC AND SHOULD NOT BE USED WITHOUT WRITTEN PERMISSION											
	DIMENSION UNITS	SCALE		CURRENT REV DESC: ADD KEEPOUT, 6.67 DIM IN PANEL								
$\frac{F_A}{A} = 0$	MM/INCH	NTS		EC NO: 660931 DRWN: MKIPPER 2020/12/03 CHK'D: JEHRISMAN 2021/07/16 APPR: FSMITH 2021/07/19								MICRO-FIT (3.0) BMI FLOATING PANEL RECEPTACLE, 4-24 CIRCUIT
$\frac{F_C}{C} = 0$	GENERAL TOLERANCES (UNLESS SPECIFIED)									INITIAL REVISION: DRWN: ESOMMER 1998/09/30 APPR: REDGLEY 2000/07/31		
$\frac{F_P}{P} = 0$	4 PLACES ±		MM	INCH	DRAFT WHERE APPLICABLE MUST REMAIN WITHIN DIMENSIONS							
DIVISIONAL SYMBOLS	3 PLACES ±		± 0.01								DRAWING	
	2 PLACES ±		± 0.25 ± 0.014		C-SIZE		44133		2 OF 2			
	1 PLACE ±		± 0.35 ±		THIRD ANGLE PROJECTION							
	0 PLACES ±		±									