

DIM.A= 1.27 x No. of Spaces
 DIM.B= DIM.A + 3.3
 DIM.C= DIM.A + 2.1
 *Available in 4 ~ 26 Circuits

Material:

* Insulation:

Glass Filled Polyester UL 94V-0

* Contact: Phosphor Bronze

Ordering Code:

CA30 ** P * 3 0 *
 ① ② ③ ④ ⑤ ⑥ ⑦

① Series No.:

② No. of Circuits: 04 to 26

③ Contacts Type: P= Pin Header

④ Plating option:

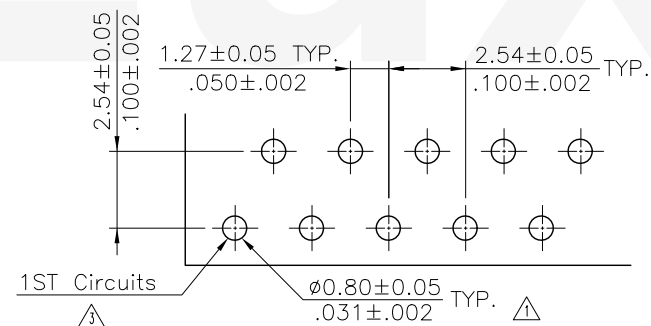
1= Tin over Nickel plated
(Matte Tin plated)

△ 2= Gold flash plated over
1.27um(50u") Nickel

⑤ Color: 3= Red


⑥ Type: 0= Dip Type

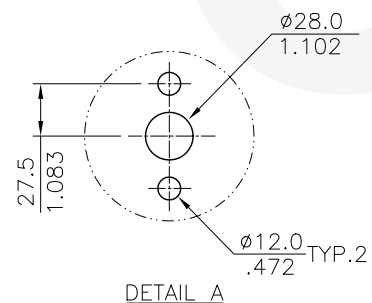
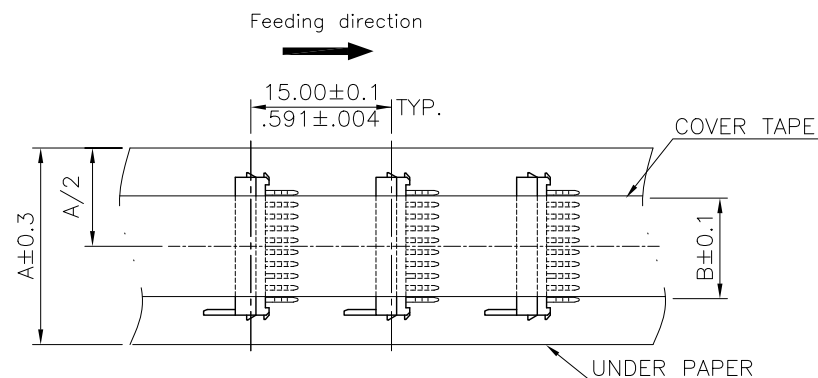
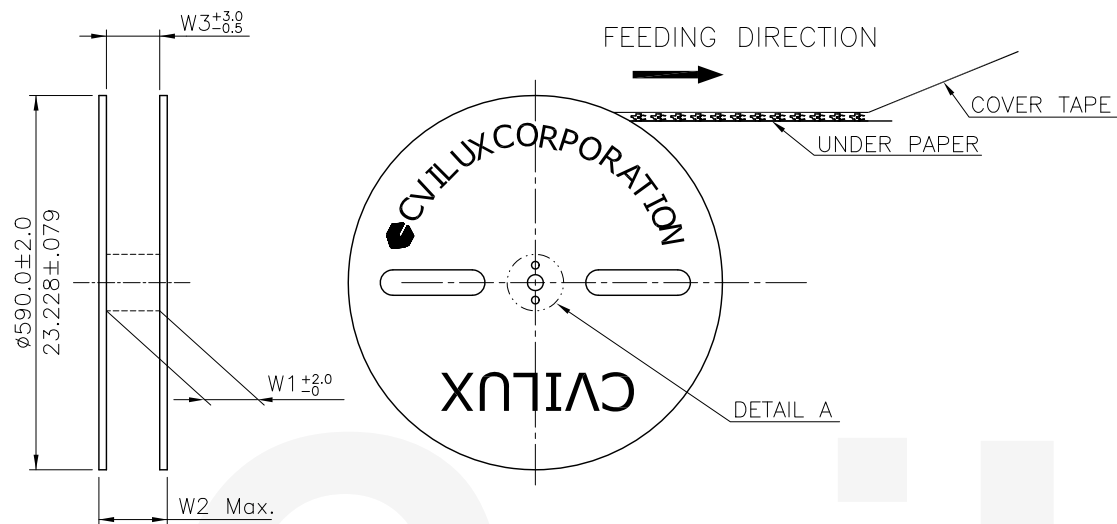
⑦ Option: 0=Tube Packing
R=Tape & Reel Packing



Recommended P.C. Board Layout


RoHS Compliant

④					DATE	UNIT: mm / inch	TITLE: 1.27mm Pitch Male DIP Type Connector	 瀚荃股份有限公司 CviLux Corporation	
③	Una	11/11-10'	ECN10365	2010.11.30	DRAWN BY: Una	11/11-10'	MATERIAL:		
②	Karen	8/18-08'	ECN08396	ISSUED	ENGINEER: Clark	11/17-10'	FINISH:	DRAWING NO. CA3002SD PART NO. CA30**P*30*	
①	Clark	10/18-07'	ECR07076-1 / ECN07427		CHECKED BY: David	11/17-10'			
SYM	NAME	DATE	REVISIONS		APPROVED BY: David	11/17-10'	SCALE	4 / 1	SHEET 1 OF 2



Circuits	Dimension				
	A	B	W1	W2	W3
4	11.0(.433)	6.0(.236)	13.0(.512)	23.0(.906)	13.0(.512)
6	17.0(.669)	6.0(.236)	18.0(.709)	28.0(1.102)	18.0(.709)
8	17.0(.669)	6.0(.236)	18.0(.709)	28.0(1.102)	18.0(.709)
10	21.0(.827)	6.0(.236)	22.0(.866)	32.0(1.260)	22.0(.866)
12	21.0(.827)	6.0(.236)	22.0(.866)	32.0(1.260)	22.0(.866)
14	24.0(.945)	6.0(.236)	25.0(.984)	35.0(1.378)	25.0(.984)
16	29.0(1.142)	6.0(.236)	30.0(1.181)	40.0(1.575)	30.0(1.181)
18	29.0(1.142)	6.0(.236)	30.0(1.181)	40.0(1.575)	30.0(1.181)
20	32.0(1.260)	6.0(.236)	33.0(1.299)	43.0(1.693)	33.0(1.299)
22	36.0(1.417)	6.0(.236)	37.0(1.457)	47.0(1.850)	37.0(1.457)
24	36.0(1.417)	6.0(.236)	37.0(1.457)	47.0(1.850)	37.0(1.457)
26	39.0(1.535)	6.0(.236)	40.0(1.575)	50.0(1.969)	40.0(1.575)

* Quantity : 2500 PCS/Reel/Caton

4					DATE	UNIT: mm / inch	TITLE: TAPE & REEL PACKAGING FOR CA30 SERIES SMT TYPE	 瀚荃股份有限公司 CviLux Corporation		
3	Una	11/11-10'	ECN10365	2010.11.30	DRAWN BY: Una	11/11-10'	TOLERANCE UNLESS OTHERWISE SPECIFIED			
2	Karen	8/18-08'	ECN08396	ISSUED	ENGINEER: Clark	11/17-10'	.X ± X' ± 1'	DRAWING NO. CA3002SD PART NO. CA30**P*30*		
1	Clark	10/18-07'	ECR07076-1 / ECN07427		CHECKED BY: David	11/17-10'	.XX ± .X' ±		FINISH:	
SYM	NAME	DATE	REVISIONS		APPROVED BY: David	11/17-10'	.XXX ± .XX' ±	SCALE	SHEET 2 OF 2	