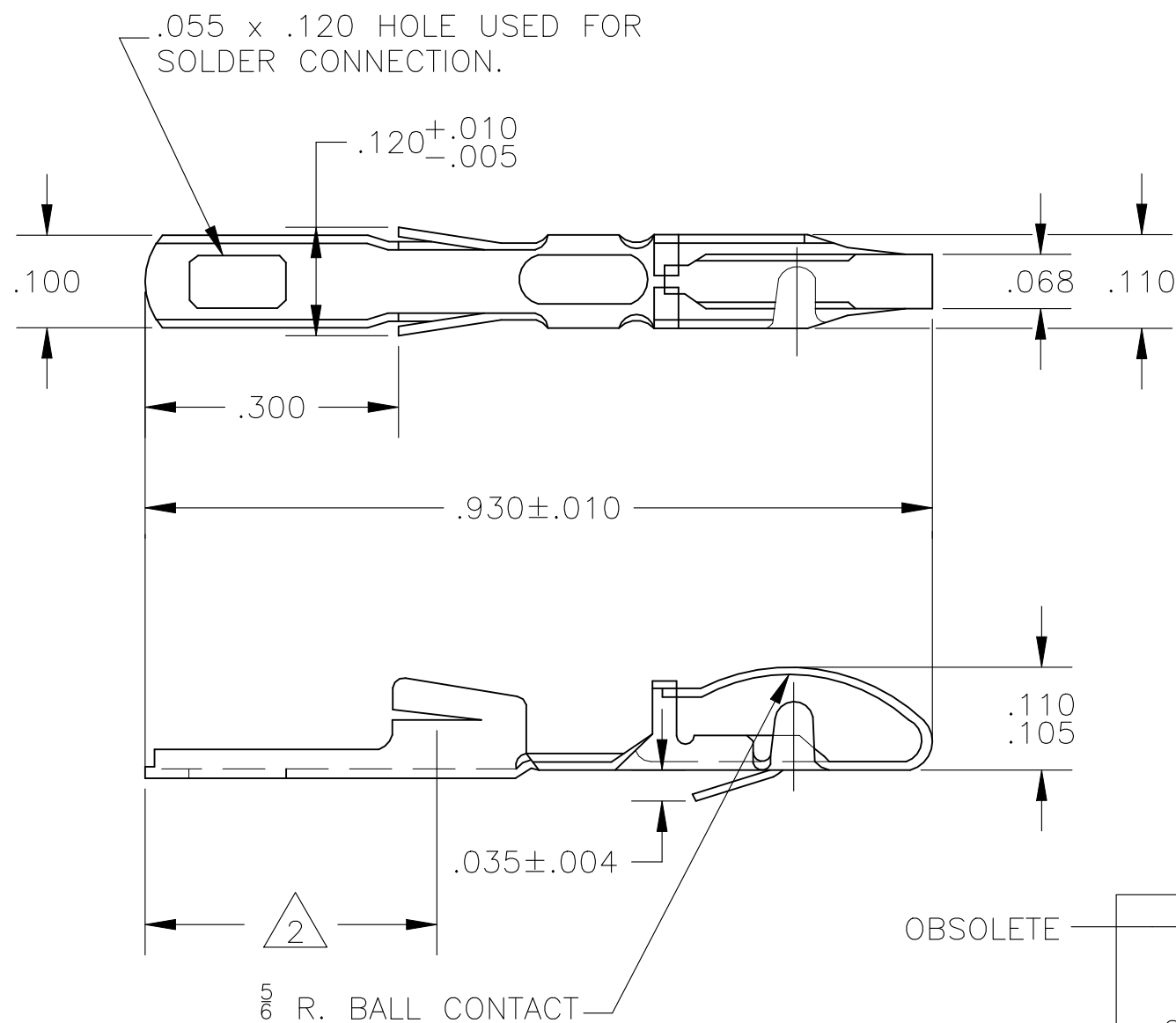


REVISIONS					
P	LTR	DESCRIPTION	DATE	DWN	APVD
	N1	ECN-22-171534	30AUG2022	RK	JO



- △1 SELECTIVE GOLD PLATE OVER NICKEL ON CONTACT AREA ONLY.
- △2 GOLD FLASH OR TIN PLATE OVER NICKEL ON SOLDER TAB.

OBSOLETE	5-66067-5	.000015 GOLD OVER NICKEL	FOR 1/16" P.C.BOARD	
	66067-5	.000015 GOLD OVER NICKEL		
OBSOLETE	2-#16 MAX.	.000060 GOLD OVER NICKEL		
OBSOLETE	66067-4	.000030 GOLD OVER NICKEL		
	66067-3	.000030 GOLD OVER NICKEL		
	WIRE SIZE	PART NO.	FINISH	HOUSING

THIS DRAWING IS A CONTROLLED DOCUMENT.		DWN M. SMITH	22JUN67	STE TE Connectivity													
DIMENSIONS: INCHES		CHK -	APVD -			NAME											
TOLERANCES UNLESS OTHERWISE SPECIFIED:		PRODUCT SPEC -		AMP LEAF SOLDER TAB													
<table border="0"> <tr><td>0 PLC</td><td>± -</td></tr> <tr><td>1 PLC</td><td>± -</td></tr> <tr><td>2 PLC</td><td>± -</td></tr> <tr><td>3 PLC</td><td>± -</td></tr> <tr><td>4 PLC</td><td>± -</td></tr> <tr><td>ANGLES</td><td>± 1° 0'</td></tr> </table>		0 PLC	± -			1 PLC	± -	2 PLC	± -	3 PLC	± -	4 PLC	± -	ANGLES	± 1° 0'	APPLICATION SPEC -	
0 PLC	± -																
1 PLC	± -																
2 PLC	± -																
3 PLC	± -																
4 PLC	± -																
ANGLES	± 1° 0'																
MATERIAL .010 COML. PHOS. BRONZE	FINISH SEE TABLE	WEIGHT -		A3	00779	DRAWING NO C-66067	RESTRICTED TO -										
CUSTOMER DRAWING				SCALE 5:1	SHEET 1 OF 1	REV N1											