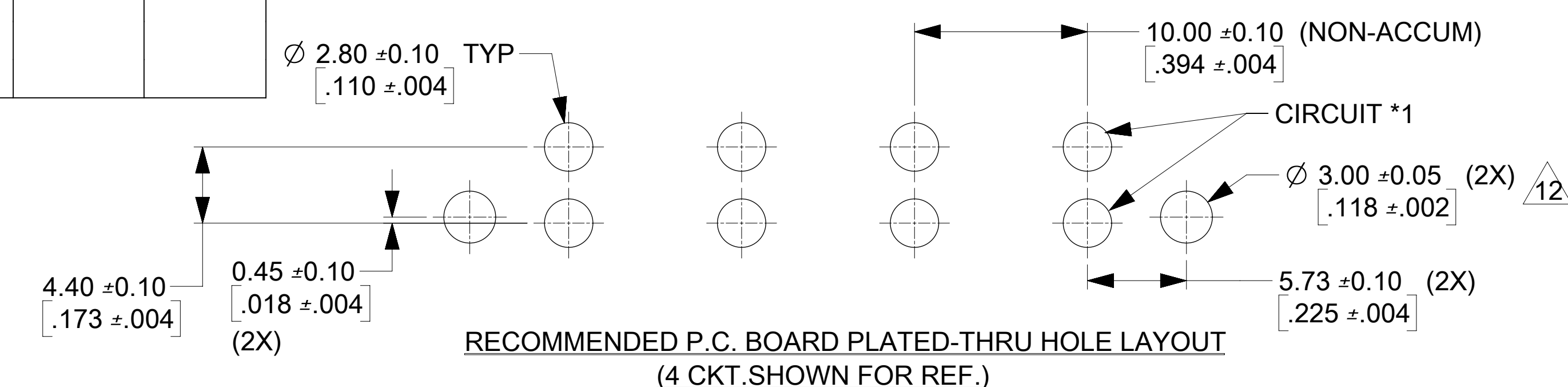
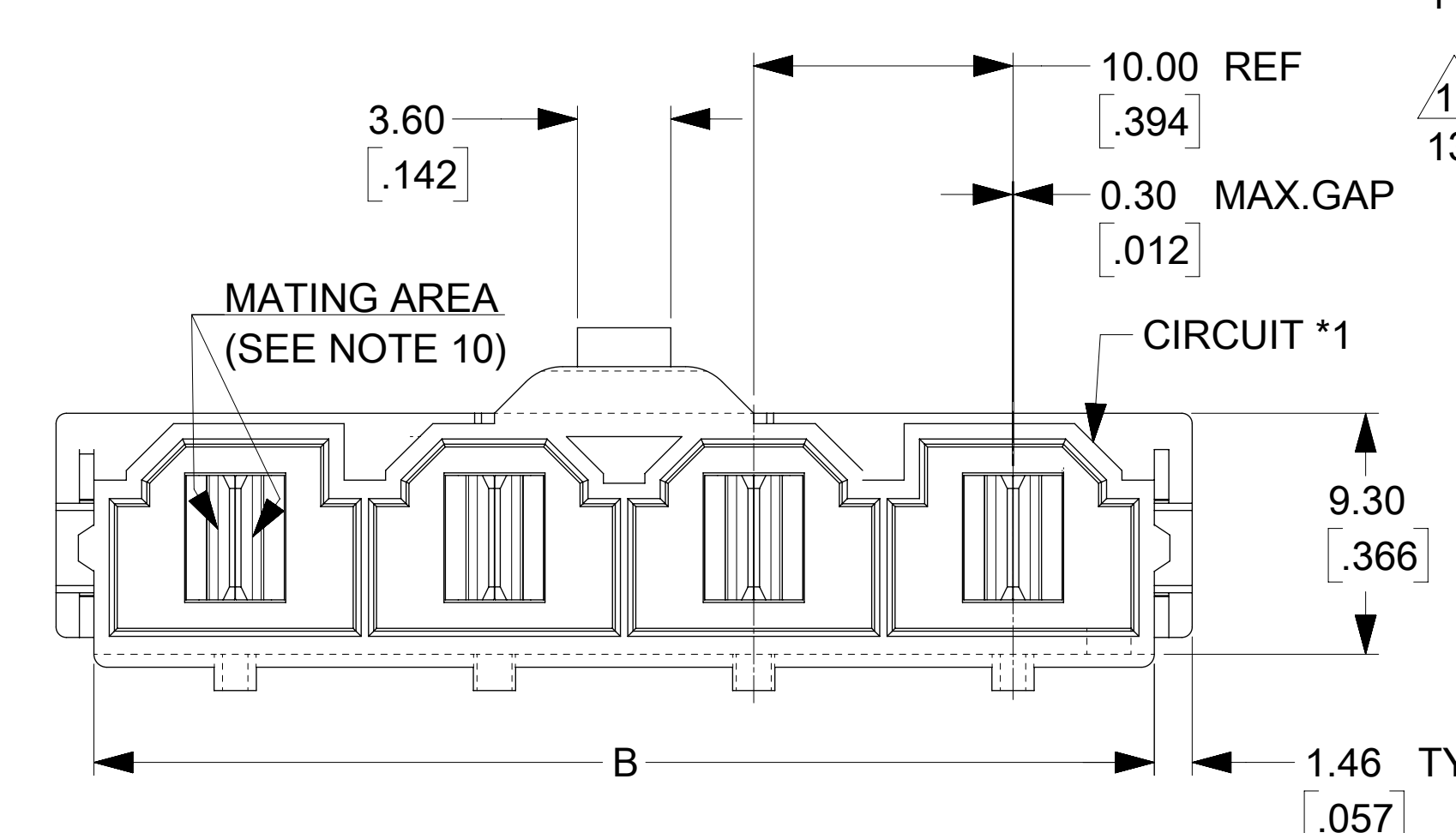
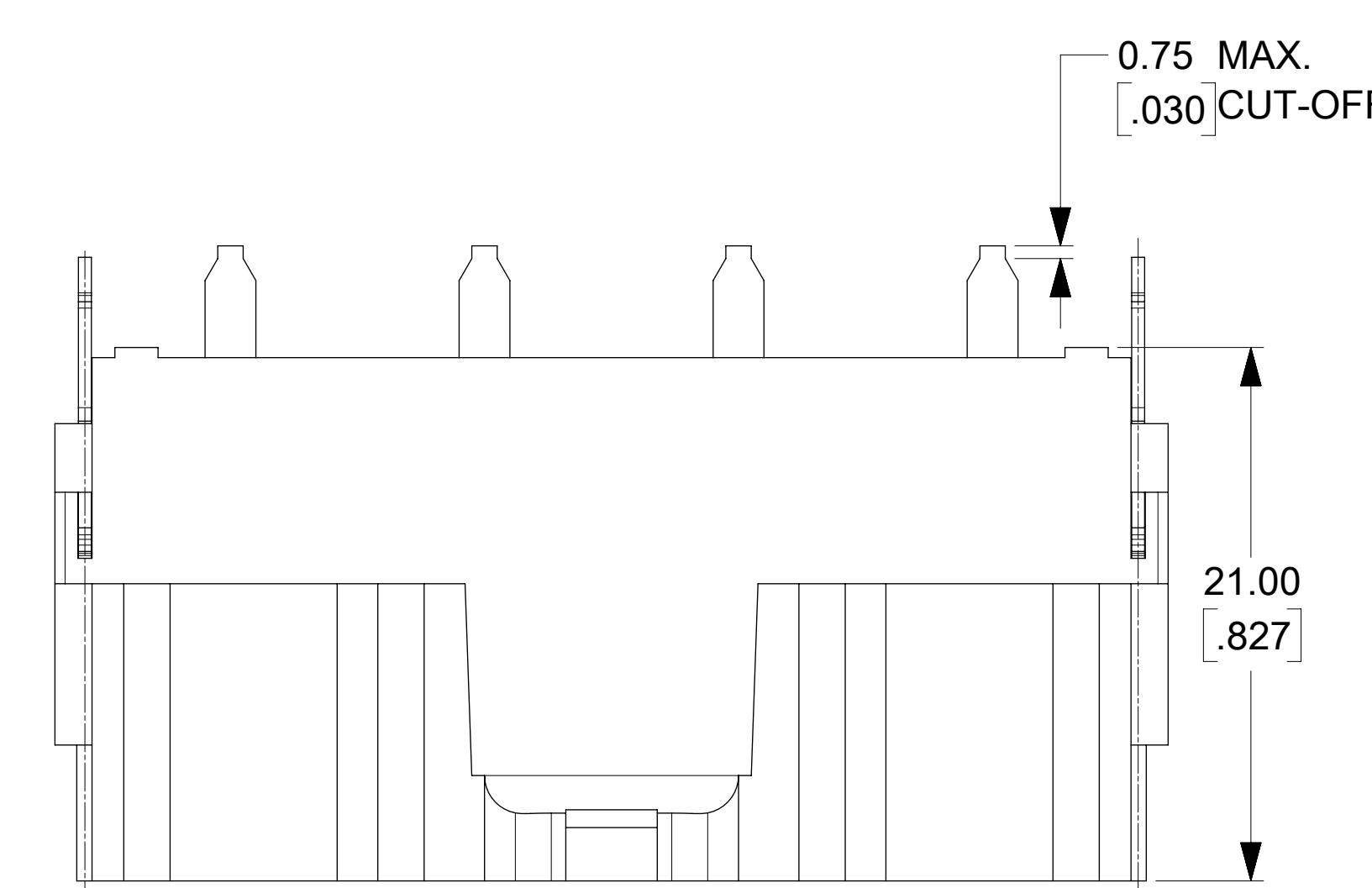
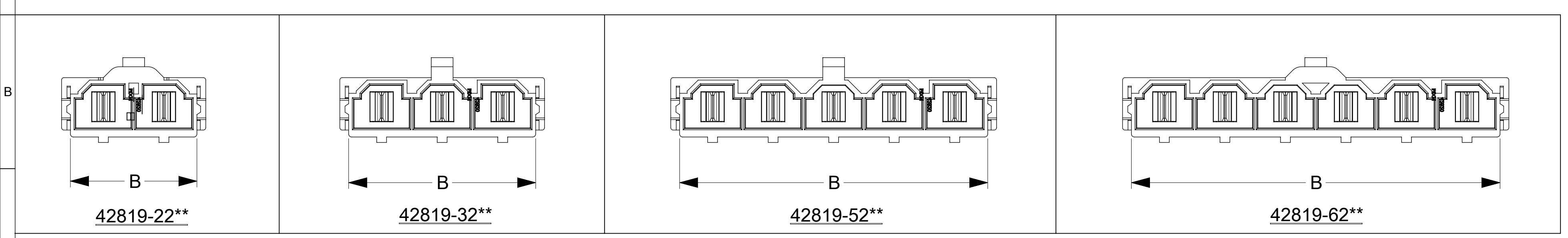
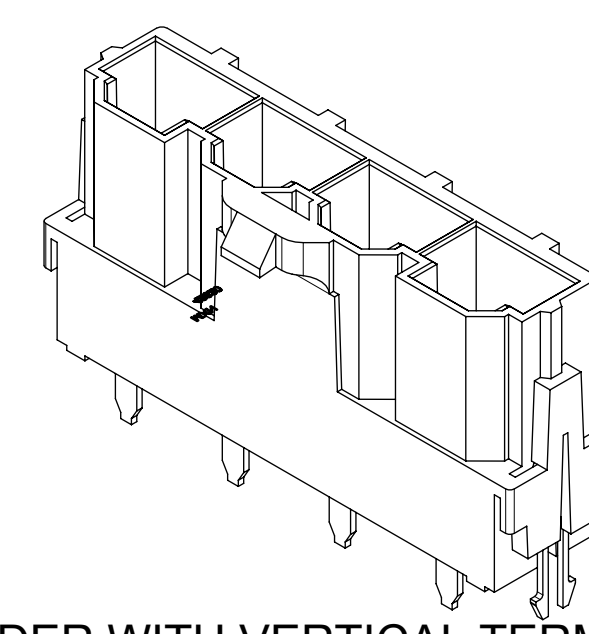
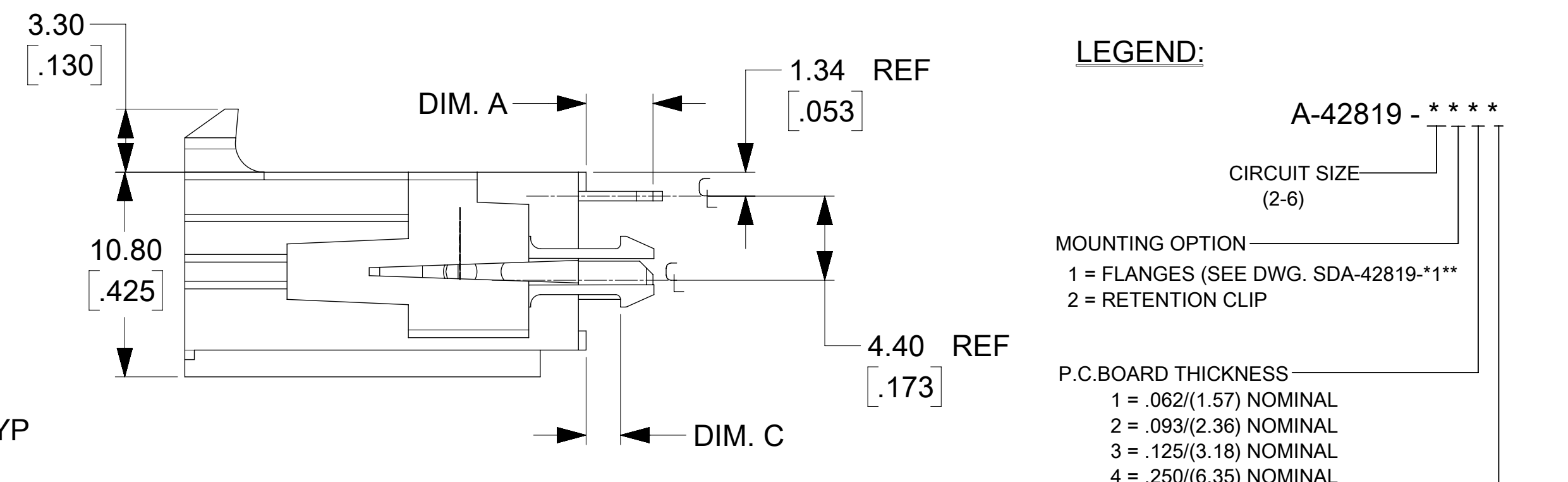


ITEM NUMBER	CKT. SIZE	DIM. A	DIM. B	DIM. C	TERMINAL PLATING	CLIP PLATING	STATUS
428192213	2	.138/[3.50]	.823/[20.90]	.071/[1.80]	SELECT GOLD IN CONTACT AREA (SEE LEGEND)	ACTIVE	
428192223	2	.201/[5.10]	.823/[20.90]	.102/[2.60]			
428192233	2	.201/[5.10]	.823/[20.90]	.134/[3.40]			
428192243	2	.327/[8.30]	.823/[20.90]	.259/[6.58]			
428193213	3	.138/[3.50]	1.216/[30.90]	.071/[1.80]			
428193223	3	.201/[5.10]	1.216/[30.90]	.102/[2.60]			
428193233	3	.201/[5.10]	1.216/[30.90]	.134/[3.40]			
428193243	3	.327/[8.30]	1.216/[30.90]	.259/[6.58]			
428194213	4	.138/[3.50]	1.610/[40.90]	.071/[1.80]			
428194223	4	.201/[5.10]	1.610/[40.90]	.102/[2.60]			
428194233	4	.201/[5.10]	1.610/[40.90]	.134/[3.40]			
428194243	4	.327/[8.30]	1.610/[40.90]	.259/[6.58]			
428195213	5	.138/[3.50]	2.004/[50.90]	.071/[1.80]	SELECT MATTE TIN ON SOLDER TAILS		
428195223	5	.201/[5.10]	2.004/[50.90]	.102/[2.60]			
428195233	5	.201/[5.10]	2.004/[50.90]	.134/[3.40]			
428195243	5	.327/[8.30]	2.004/[50.90]	.259/[6.58]			
428196213	6	.138/[3.50]	2.398/[60.90]	.071/[1.80]			
428196223	6	.201/[5.10]	2.398/[60.90]	.102/[2.60]			
428196233	6	.201/[5.10]	2.398/[60.90]	.134/[3.40]			
428196243	6	.327/[8.30]	2.398/[60.90]	.259/[6.58]			
428192214	2	.138/[3.50]	.823/[20.90]	.071/[1.80]	SELECT SILVER IN CONTACT AREA (SEE LEGEND)	NONE	
428192224	2	.201/[5.10]	.823/[20.90]	.102/[2.60]			
428192234	2	.201/[5.10]	.823/[20.90]	.134/[3.40]			
428192244	2	.327/[8.30]	.823/[20.90]	.259/[6.58]			
428193214	3	.138/[3.50]	1.216/[30.90]	.071/[1.80]			
428193224	3	.201/[5.10]	1.216/[30.90]	.102/[2.60]			
428193234	3	.201/[5.10]	1.216/[30.90]	.134/[3.40]			
428193244	3	.327/[8.30]	1.216/[30.90]	.259/[6.58]			
428194214	4	.138/[3.50]	1.610/[40.90]	.071/[1.80]			
428194224	4	.201/[5.10]	1.610/[40.90]	.102/[2.60]			
428194234	4	.201/[5.10]	1.610/[40.90]	.134/[3.40]			
428194244	4	.327/[8.30]	1.610/[40.90]	.259/[6.58]			
428195214	5	.138/[3.50]	2.004/[50.90]	.071/[1.80]	SELECT MATTE TIN ON SOLDER TAILS		
428195224	5	.201/[5.10]	2.004/[50.90]	.102/[2.60]			
428195234	5	.201/[5.10]	2.004/[50.90]	.134/[3.40]			
428195244	5	.327/[8.30]	2.004/[50.90]	.259/[6.58]			
428196214	6	.138/[3.50]	2.398/[60.90]	.071/[1.80]			
428196224	6	.201/[5.10]	2.398/[60.90]	.102/[2.60]			
428196234	6	.201/[5.10]	2.398/[60.90]	.134/[3.40]			
428196244	6	.327/[8.30]	2.398/[60.90]	.259/[6.58]			




- NOTES:
- MATERIAL:  
HOUSING MATERIAL: 30%GLASS-FILLED NYLON4/6, U.L.94V-0, COLOR: BLACK.  
TERMINAL MATERIAL: ALLOY 151.
  - FINISH: 2 = .000100/(.00254) MIN. \*TIN OVER .000050/(.00127) MIN. NICKEL.  
3 = .000030/(.00076) MIN. SELECT GOLD IN CONTACT AREA. .000100/(.00254) MIN. SELECT \*TIN ON SOLDER TAILS OVER .000050/(.00127) MN.NICKEL.  
4 = .000100/(.00254) MIN. SELECT SILVER IN CONTACT AREA .000100/(.00254) MIN. SELECT TIN ON SOLDER TAILS OVER .000050/(.00127) MIN. NICKEL.  
\* THE PRIMARY SHIPPING CARTON WILL BE LABELED "COMPLAINT TO RoHS DIRECTIVE 2002/95/EC AND ELV ANNEX II OF DIRECTIVE 2000/53/EC". CARTONS WITHOUT THIS LABEL MAY CONTAIN PRODUCT WITH TIN-LEAD.
  - PRODUCT SPECIFICATION: PS-42815-001
  - PACKAGING INFORMATION: PK-42819-2375
  - PART MATES WITH MOLEX RECEPTACLE #42816-\*\*\*2 WITH T.P.A.
  - PART IS DESIGNED IN METRIC.
  - AN "X" IN FRONT OF THE ITEM NUMBER INDICATES THE PART IS NOT TOOLED.
  - THIS PART MEETS U.L.1950 REQUIREMENTS FOR CREEPAGE AND CLEARANCE AT 600 VAC AND 840 VDC.
  - PARTS ARE NOT TO BE MATED OR UNMATED WHILE CIRCUITS ARE LIVE.
  - WHEN USING OVERALL TIN PLATED TERMINALS: FOR APPLICATIONS INVOLVING VIBRATION AND/OR THERMAL CYCLING, MOLEX STRONGLY RECOMMENDS THE USE OF NYE LUBRICANT (NYOGEL 7600) ON THE MATING SURFACES OF THE TERMINAL.
  - PARTS CONFORMS TO CLASS 'B' REQUIREMENTS OF COSMETIC SPECIFICATION PS-45499-002
  - BOARD CLIP HOLE MAY OR MAY NOT BE PLATED. REFER TO CHART FOR PLATED / UNPLATED CLIPS.
  - REFER AS-42815-001 FOR TIN PLATED TERMINALS RECOMMENDED LUBRICATION PROCEDURE.



THIS DRAWING CONTAINS INFORMATION THAT IS PROPRIETARY TO MOLEX ELECTRONIC TECHNOLOGIES, LLC AND SHOULD NOT BE USED WITHOUT WRITTEN PERMISSION

DIMENSION UNITS	SCALE	CURRENT REV DESC:	
IN/MM	4:1		
GENERAL TOLERANCES (UNLESS SPECIFIED)			
4 PLACES ±	±	EC NO: 650254	
3 PLACES ±	±	DRWN: SHRUTJ	2020/11/24
2 PLACES ±	0.25 ±	CHK'D: SHRUTJ	2020/11/30
1 PLACE ±	0.4 ±	APPR: ISHWARG	2020/11/30
0 PLACES ±	±	INITIAL REVISION:	
ANGULAR TOL ± 0.5°		DRWN: GES	2014/02/12
		APPR: KPRASAD	2015/02/09
DRAFT WHERE APPLICABLE MUST REMAIN WITHIN DIMENSIONS		THIRD ANGLE PROJECTION	SERIES
		D-DRAWING	42819
DOCUMENT STATUS	P1	RELEASE DATE	2020/11/30 07:17:49
		DOCUMENT NUMBER	SDA-42819-0002
		DOC TYPE	PSD
		DOC PART	001
		REVISION	F2
		MATERIAL NUMBER	SEE CHART
		CUSTOMER	GENERAL MARKET
		SHEET NUMBER	
		1 OF 2	

ITEM NUMBER	CKT. SIZE	DIM. A	DIM. B	DIM. C	TERMINAL PLATING	CLIP PLATING	STATUS
428192212	2	3.50 [.138]	20.90 [.823]	1.80 [.071]	OVERALL BRIGHT TIN	NONE	PLANNED FOR OBSOLESCENCE
428192222	2	5.10 [.201]	20.90 [.823]	2.60 [.102]			
428192229	2	5.10 [.201]	20.90 [.823]	2.60 [.102]			
428192232	2	5.10 [.201]	20.90 [.823]	3.40 [.134]			
428192242	2	8.30 [.327]	20.90 [.823]	6.58 [.259]			
428193212	3	3.50 [.138]	30.90 [1.216]	1.80 [.071]			
428193222	3	5.10 [.201]	30.90 [1.216]	2.60 [.102]			
428193232	3	5.10 [.201]	30.90 [1.216]	3.40 [.134]			
428193242	3	8.30 [.327]	30.90 [1.216]	6.58 [.259]			
428194212	4	3.50 [.138]	40.90 [1.610]	1.80 [.071]			
428194222	4	5.10 [.201]	40.90 [1.610]	2.60 [.102]			
428194232	4	5.10 [.201]	40.90 [1.610]	3.40 [.134]			
428194242	4	8.30 [.327]	40.90 [1.610]	6.58 [.259]			
428195212	5	3.50 [.138]	50.90 [2.004]	1.80 [.071]			
428195222	5	5.10 [.201]	50.90 [2.004]	2.60 [.102]			
428195232	5	5.10 [.201]	50.90 [2.004]	3.40 [.134]			
428195242	5	8.30 [.327]	50.90 [2.004]	6.58 [.259]			
428196212	6	3.50 [.138]	60.90 [2.398]	1.80 [.071]			
428196222	6	5.10 [.201]	60.90 [2.398]	2.60 [.102]			
428196232	6	5.10 [.201]	60.90 [2.398]	3.40 [.134]			
428196242	6	8.30 [.327]	60.90 [2.398]	6.58 [.259]			

THIS DRAWING CONTAINS INFORMATION THAT IS PROPRIETARY TO MOLEX ELECTRONIC TECHNOLOGIES, LLC AND SHOULD NOT BE USED WITHOUT WRITTEN PERMISSION													
DIMENSION UNITS		SCALE		CURRENT REV DESC:									
IN/MM		1:2		 VERTICAL HEADER ASSEMBLY MINIFIT SR. SERIES PRODUCT CUSTOMER DRAWING									
GENERAL TOLERANCES (UNLESS SPECIFIED)										EC NO: 650254		2020/11/24	
		MM	INCH							DRWN: SHRUTJ		2020/11/30	
4 PLACES ±		±	±							CHK'D: SHRUTJ		2020/11/30	
3 PLACES ±		±	±							APPR: ISHWARG		2020/11/30	
2 PLACES ±		0.25	±	INITIAL REVISION:									
1 PLACE ±		0.4	±	DRWN: GES		2014/02/12							
0 PLACES ±		±	±	APPR: KPRASAD		2015/02/09							
ANGULAR TOL ±		0.5 °		DRAFT WHERE APPLICABLE MUST REMAIN WITHIN DIMENSIONS		THIRD ANGLE PROJECTION		DRAWING					
				D-SIZE		42819		SERIES					
DOCUMENT NUMBER		DOC TYPE		DOC PART		REVISION		SHEET NUMBER					
SDA-42819-0002		PSD		001		F2		2 OF 2					
MATERIAL NUMBER		CUSTOMER		SEE CHART		GENERAL MARKET							