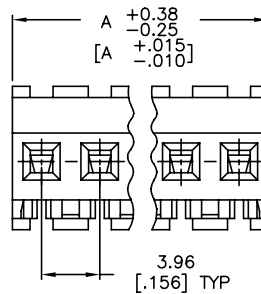
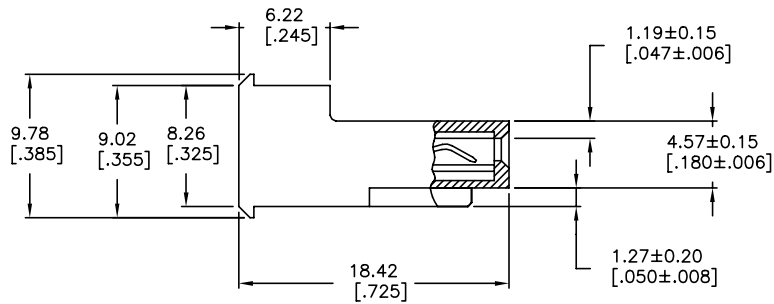
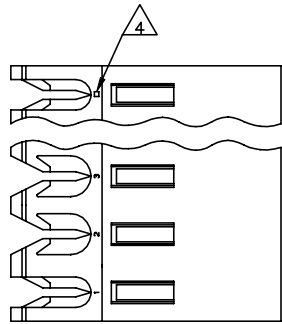


THIS DRAWING IS UNPUBLISHED. RELEASED FOR PUBLICATION
 © COPYRIGHT - By - TE CONNECTIVITY ALL RIGHTS RESERVED.

LOC	DIST	REVISIONS					
CM	54	P	LYR	DESCRIPTION	DATE	DWN	APVD
		W		REVISED PER ECR-20-000820	27MAY2020	PC	SW



95.10	[3.744]	24	5-640605-4
91.14	[3.588]	23	5-640605-3
87.17	[3.432]	22	5-640605-2
83.21	[3.276]	21	5-640605-1
79.25	[3.120]	20	5-640605-0
75.29	[2.964]	19	4-640605-9
71.32	[2.808]	18	4-640605-8
67.36	[2.652]	17	4-640605-7
63.40	[2.496]	16	4-640605-6
59.44	[2.340]	15	4-640605-5
55.47	[2.184]	14	4-640605-4
51.51	[2.028]	13	4-640605-3
47.55	[1.872]	12	4-640605-2
43.59	[1.716]	11	4-640605-1
39.62	[1.560]	10	4-640605-0
35.66	[1.404]	9	3-640605-9
31.70	[1.248]	8	3-640605-8
27.74	[1.092]	7	3-640605-7
23.77	[.936]	6	3-640605-6
19.81	[.780]	5	3-640605-5
15.85	[.624]	4	3-640605-4
11.89	[.468]	3	3-640605-3
7.92	[.312]	2	3-640605-2

SUPERSEDED	95.10	[3.744]	24	2-640605-4
	91.14	[3.588]	23	2-640605-3
	87.17	[3.432]	22	2-640605-2
	83.21	[3.276]	21	2-640605-1
	79.25	[3.120]	20	2-640605-0
	75.29	[2.964]	19	1-640605-9
△	71.32	[2.808]	18	1-640605-8
	67.36	[2.652]	17	1-640605-7
	63.40	[2.496]	16	1-640605-6
SUPERSEDED	59.44	[2.340]	15	1-640605-5
	55.47	[2.184]	14	1-640605-4
	51.51	[2.028]	13	1-640605-3
	47.55	[1.872]	12	1-640605-2
	43.59	[1.716]	11	1-640605-1
	39.62	[1.560]	10	1-640605-0
	35.66	[1.404]	9	640605-9
	31.70	[1.248]	8	640605-8
△	27.74	[1.092]	7	640605-7
SUPERSEDED	23.77	[.936]	6	640605-6
	19.81	[.780]	5	640605-5
	15.85	[.624]	4	640605-4
△	11.89	[.468]	3	640605-3
△	7.92	[.312]	2	640605-2

- △ MATERIAL: CONNECTOR - NYLON UL94V-2 (YELLOW).
CONTACTS - 0.30[.012] THICK COPPER ALLOY
(BRIGHT TIN-LEAD 0.00203[.000080] MIN. THICK
FOR CONTACTS 640605-2 THRU 2-640605-4)
(MATTE WHISKER MITIGATED TIN 0.00203[.000080] MIN
THICKNESS OVER NICKEL UNDERPLATE FOR
3-640605-2 THRU 5-640605-4).
- 2 CONTACTS ACCEPT 20 AWG WIRE WITH 2.41[.095] MAX INSULATION DIAMETER.
- 3 CONTACTS MUST ACCEPT 1.14±0.03[.045±.001] SQUARE POST AND REMAIN LOCKED IN POSITION.
- △ IDENTIFICATION NUMBER FOR LAST CIRCUIT MAY NOT APPEAR ON ALL ASSEMBLIES.
- 5 DIMENSIONS IN BRACKETS ARE IN INCHES.
- 6 HOUSING FEATURES ARE: FEED-THRU WITHOUT LOCKING RAMP.
- △ OBSOLETE PARTS: OBSOLETE CIS STREAMLINING PER D.RENAUD/D.SINISI
- △ OBSOLETE PARTS

THIS DRAWING IS A CONTROLLED DOCUMENT.

DIMENSIONS: mm [INCHES]	TOLERANCES UNLESS OTHERWISE SPECIFIED:	0 PLC ± -	1 PLC ± -	2 PLC ± -	3 PLC ± 0.13 [0.005]	4 PLC ± -
FINISH		△ 1				

DWG B. LEWIS 12FEB91	CHK R. SWING 12FEB91	APVD D. CLARK 19FEB91	NAME
PRODUCT SPEC 108-1051		APPLICATION SPEC 114-1020	
MATERIAL △ 1	WEIGHT	SIZE A2	CAGE CODE 00779
CUSTOMER DRAWING		DRAWING NO C=640605	RESTRICTED TO -

TE Connectivity
 MTA-156 CONNECTOR ASSEMBLY,
 20 AWG, STANDARD

SCALE: 4:1 SHEET 1 of 1 REV W