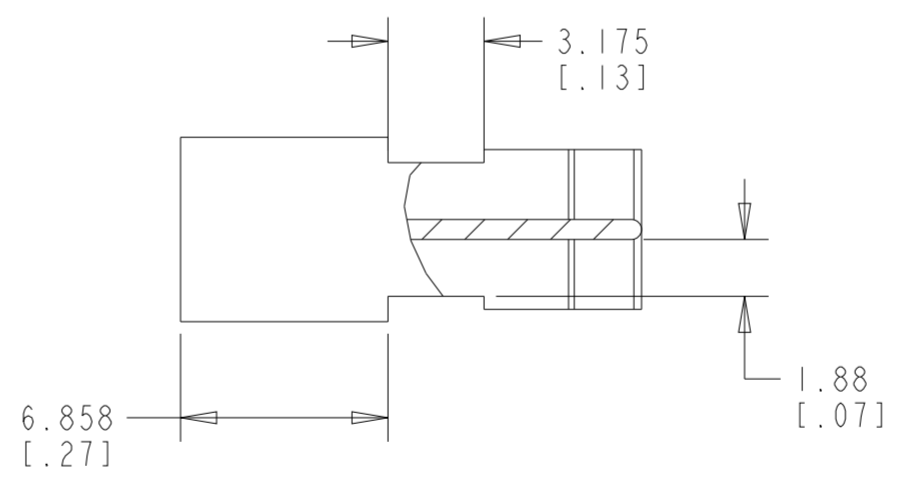
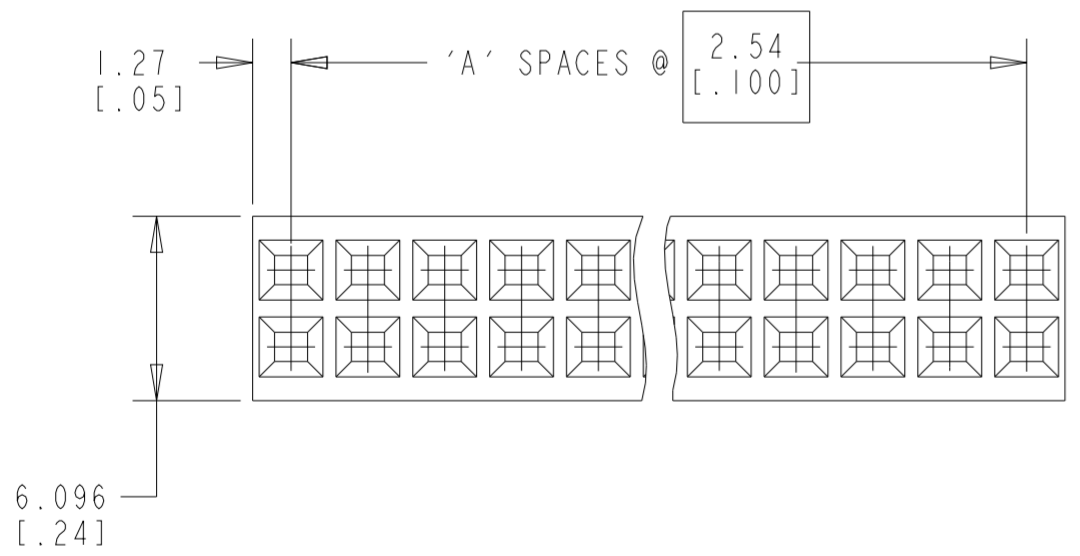
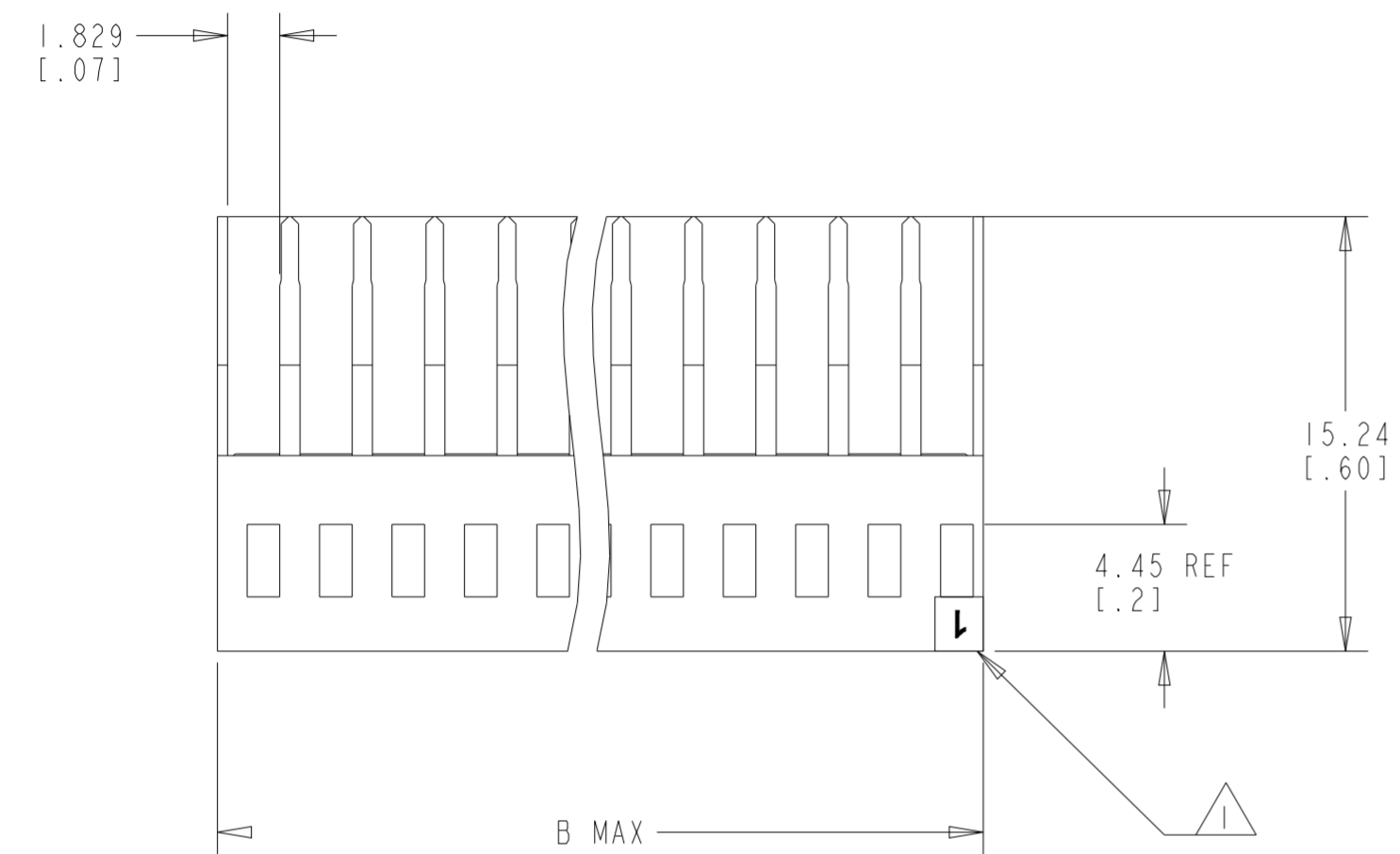


- 1 MOLDED CIRCUIT #1 IDENTIFIER IN LOCATION SHOWN.
- 2 MATERIAL: GLASS FILLED THERMOPLASTIC, UL 94-V0 RATED, COLOR: BLACK
- 3. THE PRODUCT IS IN PROCESS FOR UL RECOGNITION.
- 4. THE PRODUCT IS IN PROCESS FOR QUALIFICATION, AND IS NOT YET QUALIFIED

REVISIONS				
P	LTR	DESCRIPTION	DATE	APVD
	HI	REVISED PER ECO-11-004587	11MAR2011	RK HMR
	J	REVISED PER ECR-22-132152	15JUN2022	RK SD
	JI	REVISED PER ECN-23-211206	24JUN2023	RK MF



POSN	PLC	PLC	PLC	PART NO.
35	72			3-102394-4
34	70			3-102394-3
33	68			3-102394-2
32	66			3-102394-1
31	64			3-102394-0
30	62			2-102394-9
29	60			2-102394-8
28	58			2-102394-7
27	56			2-102394-6
26	54			2-102394-5
25	52			2-102394-4
24	50			2-102394-3
23	48			2-102394-2
22	46			2-102394-1
21	44			2-102394-0
20	42			1-102394-9
19	40			1-102394-8
18	38			1-102394-7
17	36			1-102394-6
16	34			1-102394-5
15	32			1-102394-4
14	30			1-102394-3
13	28			1-102394-2
12	26			1-102394-1
11	24			1-102394-0
10	22			102394-9
9	20			102394-8
8	18			102394-7
7	16			102394-6
6	14			102394-5
5	12			102394-4
4	10			102394-3
3	8			102394-2
2	6			102394-1
B	A	NO. OF POSN	PART NO.	

METRIC

THIS DRAWING IS A CONTROLLED DOCUMENT.

DWN	S. SHUEY	24JUL91
CHK	M. RIDER	24JUL91
APVD	M. RIDER	24JUL91

STE TE Connectivity

NAME: HOUSING, AMPMODU, MASS TERMINATION DOUBLE ROW, .100X.100 C/L

SIZE	CAGE CODE	DRAWING NO	RESTRICTED TO
A2	00779	G-102394	-

CUSTOMER DRAWING SCALE 4:1 SHEET OF REV JI