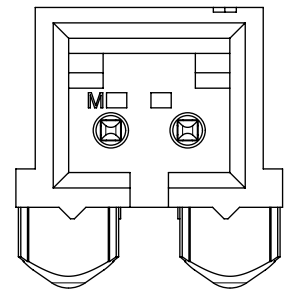


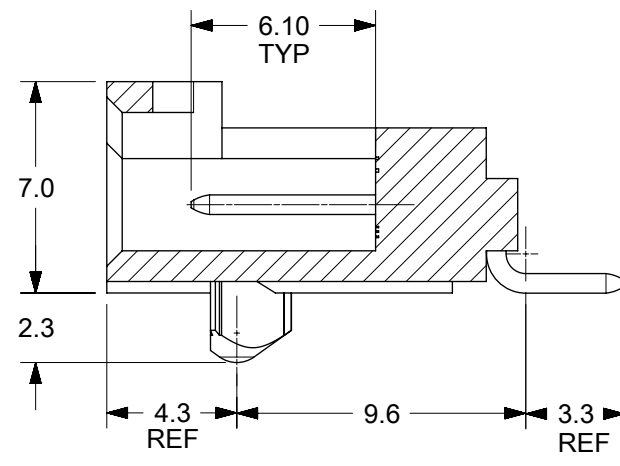
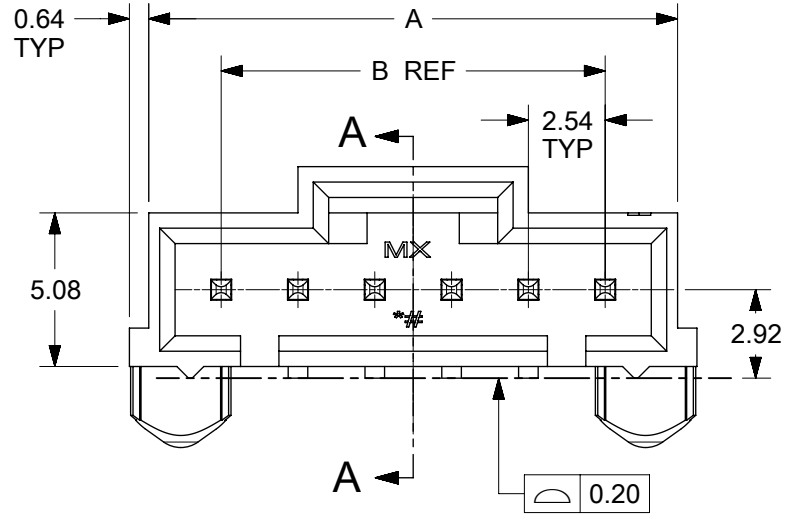
CIRCUIT 1



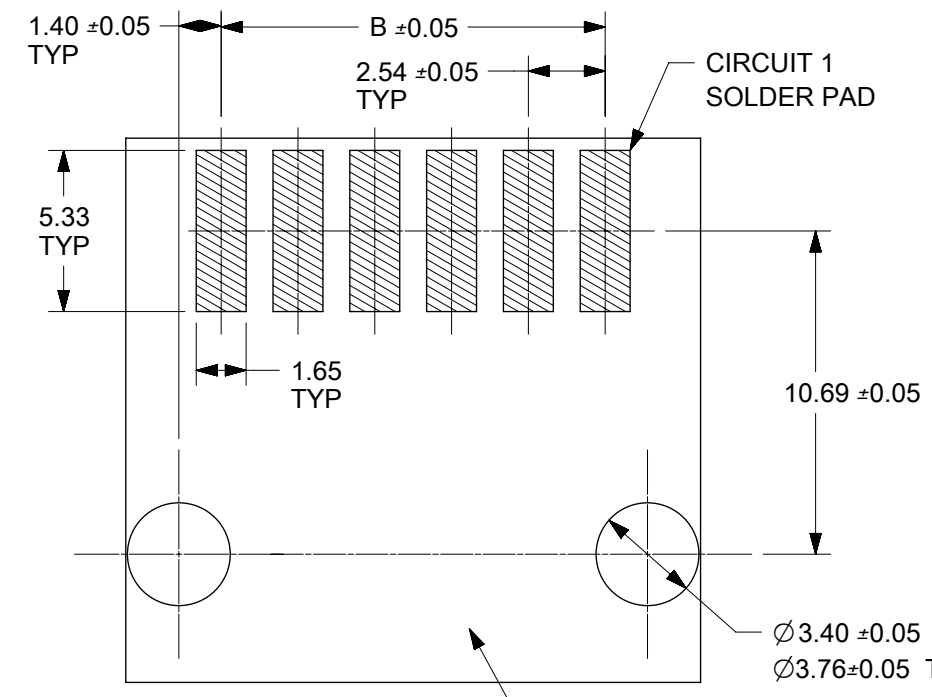
2 AND 3 CIRCUIT PARTS HAVE 1 SLOT

- NOTES:
- HOUSING MATERIAL: POLYESTER, UL94V-0, BLACK  
TERMINAL MATERIAL: PHOS BRONZE
  - FINISH:  
TIN = OVERALL BRIGHT TIN: 2.54 MICROMETERS MIN  
0.38 GOLD = SELECT GOLD IN CONTACT AREA: 0.38 MICROMETERS MIN  
SELECT MATTE TIN IN PC TAIL: 1.9 MICROMETERS MIN  
WITH OVERALL NICKEL UNDERPLATE  
0.75 GOLD = SELECT GOLD IN CONTACT AREA: 0.75 MICROMETERS MIN  
SELECT MATTE TIN IN PC TAIL: 1.9 MICROMETERS MIN  
WITH OVERALL NICKEL UNDERPLATE
  - PRODUCT SPECIFICATION: PS-70541
  - PACKAGING SPECIFICATION: SEE CHART
  - HEADER MATES WITH: 70400 AND 70430 SERIES OPTION "G" SL CONNECTORS
  - COSMETIC SPECIFICATION: PS-45499-002 CLASS B
  - SOLDERABILITY PER SMES-152 LEAD FREE ALLOY

CKTS	A	B
2	7.37	2.54
3	10.17	5.08
4	12.71	7.62
5	15.25	10.16
6	17.79	12.70
7	20.33	15.24
8	22.87	17.78
9	25.41	20.32
10	27.95	22.86
11	30.49	25.40
12	33.03	27.94
13	35.57	30.48
14	38.11	33.02
15	40.65	35.56
16	43.19	38.10
17	45.73	40.64
18	48.27	43.18
19	50.81	45.72
20	53.35	48.26
21	55.89	50.80
22	58.43	53.34
23	60.97	55.88
24	63.51	58.42
25	66.05	60.96



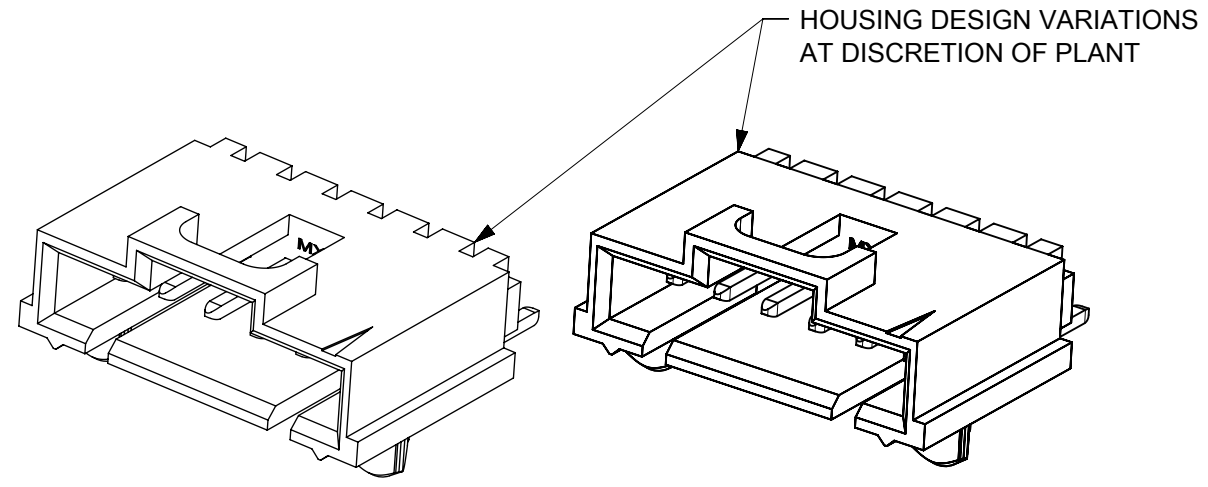
SECTION A-A



CIRCUIT 1 SOLDER PAD

Ø 3.40 ±0.05 TYP FOR RETENTION FIT  
Ø 3.76 ±0.05 TYP FOR CLEARANCE FIT

PCB LAYOUT: COMPONENT SIDE RESTRICTED AREA

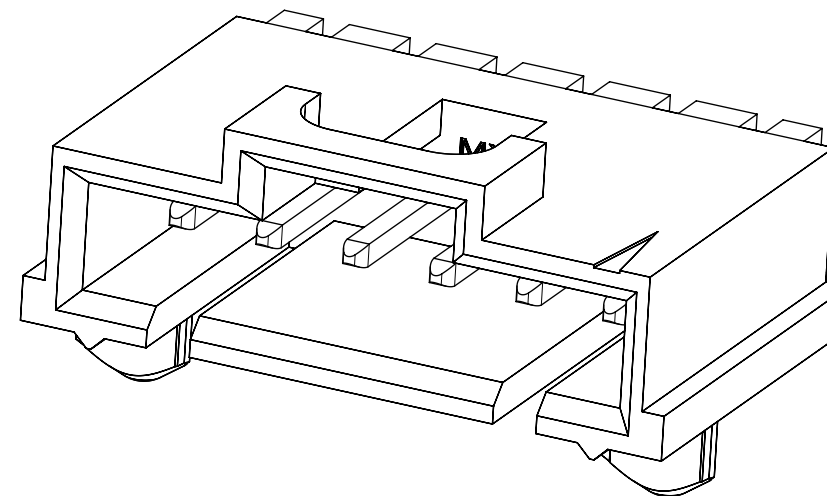


6 CIRCUIT PART SHOWN SEE SHEET 2 FOR OTHER OPTIONS

SYMBOLS		THIS DRAWING CONTAINS INFORMATION THAT IS PROPRIETARY TO MOLEX ELECTRONIC TECHNOLOGIES, LLC AND SHOULD NOT BE USED WITHOUT WRITTEN PERMISSION		CURRENT REV DESC: TRANS TO 3106		molex	
▽ = 0	0	DIMENSION UNITS	SCALE	EC NO: 171256		SL RTAN HEADER ASSEMBLY SMT WITH PEGS WAS SDA-70634-****	
▽ = 0	0	mm	5:1	DRWN: KSAMIEC 2018/01/31			
▽ = 0	0	GENERAL TOLERANCES (UNLESS SPECIFIED)		CHK'D: FSMITH 2018/02/22		PRODUCT CUSTOMER DRAWING	
▽ = 0	0	ANGULAR TOL ± °		APPR: FSMITH 2018/02/22			
▽ = 0	0	4 PLACES ±		INITIAL REVISION:		DOCUMENT NUMBER	
▽ = 0	0	3 PLACES ±		DRWN: KSAMIEC 2017/06/15		706340000-SD	
▽ = 0	0	2 PLACES ± 0.25		APPR: FSMITH 2017/08/28		DOC TYPE DOC PART REVISION	
▽ = 0	0	1 PLACE ± 0.38		MATERIAL NUMBER		PSD 000 A1	
▽ = 0	0	0 PLACES ± 0.0		CUSTOMER		SEE CHART	
▽ = 0	0	DRAFT WHERE APPLICABLE MUST REMAIN WITHIN DIMENSIONS		THIRD ANGLE PROJECTION		SHEET NUMBER	
▽ = 0	0			DRAWING SERIES		1 OF 3	
▽ = 0	0			B-SIZE 70634			

	TIN		0.38 GOLD		0.75 GOLD	
CIRCUIT SIZE	MATERIAL NUMBER	ENGINEERING	MATERIAL NUMBER	ENGINEERING	MATERIAL NUMBER	ENGINEERING
2	15-91-3024	70634-0001	15-91-2025	70634-0036	15-91-3023	70634-0071
3	15-91-3034	70634-0002	15-91-2035	70634-0037	15-91-3033	70634-0072
4	15-91-3044	70634-0003	15-91-2045	70634-0038	15-91-3043	70634-0073
5	15-91-3054	70634-0004	15-91-2055	70634-0039	15-91-3053	70634-0074
6	15-91-3064	70634-0005	15-91-2065	70634-0040	15-91-3063	70634-0075
7	15-91-3074	70634-0006	15-91-2075	70634-0041	15-91-3073	70634-0076
8	15-91-3084	70634-0007	15-91-2085	70634-0042	15-91-3083	70634-0077
9	15-91-3094	70634-0008	15-91-2095	70634-0043	15-91-3093	70634-0078
10	15-91-3104	70634-0009	15-91-2105	70634-0044	15-91-3103	70634-0079
11	15-91-3114	70634-0010	15-91-2115	70634-0045	15-91-3113	70634-0080
12	15-91-3124	70634-0011	15-91-2125	70634-0046	15-91-3123	70634-0081
13	15-91-3134	70634-0012	15-91-2135	70634-0047	15-91-3133	70634-0082
14	15-91-3144	70634-0013	15-91-2145	70634-0048	15-91-3143	70634-0083
15	15-91-3154	70634-0014	15-91-2155	70634-0049	15-91-3153	70634-0084
16	15-91-3164	70634-0015	15-91-2165	70634-0050	15-91-3163	70634-0085
17	15-91-3174	70634-0016	15-91-2175	70634-0051	15-91-3173	70634-0086
18	15-91-3184	70634-0017	15-91-2185	70634-0052	15-91-3183	70634-0087
19	15-91-3194	70634-0018	15-91-2195	70634-0053	15-91-3193	70634-0088
20	15-91-3204	70634-0019	15-91-2205	70634-0054	15-91-3203	70634-0089
21	15-91-3214	70634-0020	15-91-2215	70634-0055	15-91-3213	70634-0090
22	15-91-3224	70634-0021	15-91-2225	70634-0056	15-91-3223	70634-0091
23	15-91-3234	70634-0022	15-91-2235	70634-0057	15-91-3233	70634-0092
24	15-91-3244	70634-0023	15-91-2245	70634-0058	15-91-3243	70634-0093
25	15-91-3254	70634-0024	15-91-2255	70634-0059	15-91-3253	70634-0094

ALL PARTS ON THIS PAGE ARE PACKAGED IN TUBES PER PK-70873-016

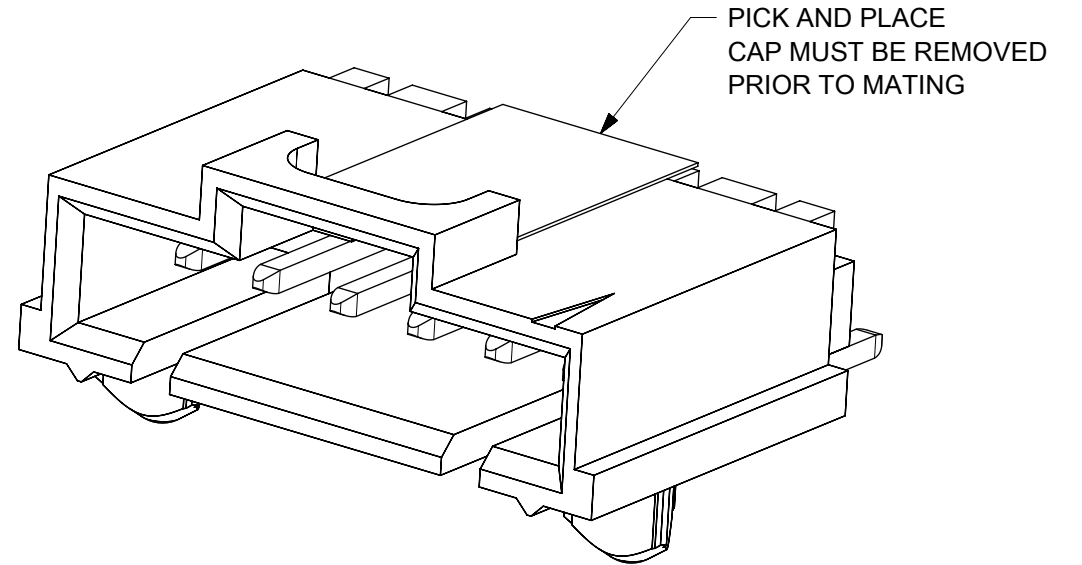


SYMBOLS	THIS DRAWING CONTAINS INFORMATION THAT IS PROPRIETARY TO MOLEX ELECTRONIC TECHNOLOGIES, LLC AND SHOULD NOT BE USED WITHOUT WRITTEN PERMISSION											
	DIMENSION UNITS		SCALE		CURRENT REV DESC: TRANS TO 3106						<b>molex</b>	
	mm		5:1									
	GENERAL TOLERANCES (UNLESS SPECIFIED)		ANGULAR TOL ± °		EC NO: 171256						SL RTAN HEADER ASSEMBLY SMT WITH PEGS	
	4 PLACES ±		3 PLACES ±		DRWN: KSAMIEC 2018/01/31							
	2 PLACES ± 0.25		1 PLACE ± 0.38		CHK'D: FSMITH 2018/02/22						PRODUCT CUSTOMER DRAWING	
	0 PLACES ± 0.0		DRAFT WHERE APPLICABLE MUST REMAIN WITHIN DIMENSIONS		APPR: FSMITH 2018/02/22							
	THIRD ANGLE PROJECTION		DRAWING		SERIES		DOCUMENT NUMBER		DOC TYPE	DOC PART	REVISION	
	B-SIZE		70634		706340000-SD		PSD	000	A1			
	SEE CHART				MATERIAL NUMBER		CUSTOMER		SHEET NUMBER			
								2 OF 3				

DOCUMENT STATUS	P1	RELEASE DATE	2018/02/22	21:22:22
-----------------	----	--------------	------------	----------

	TIN		0.38 GOLD		0.75 GOLD	
CIRCUIT SIZE	MATERIAL NUMBER	ENGINEERING	MATERIAL NUMBER	ENGINEERING	MATERIAL NUMBER	ENGINEERING
2	15-91-6029	70634-0106	15-91-7020	70634-0141	15-91-7021	70634-0176
3	15-91-6039	70634-0107	15-91-7030	70634-0142	15-91-7031	70634-0177
4	15-91-6049	70634-0108	15-91-7040	70634-0143	15-91-7041	70634-0178
5	15-91-6059	70634-0109	15-91-7050	70634-0144	15-91-7051	70634-0179
6	15-91-6069	70634-0110	15-91-7060	70634-0145	15-91-7061	70634-0180
7	15-91-6079	70634-0111	15-91-7070	70634-0146	15-91-7071	70634-0181
8	15-91-6089	70634-0112	15-91-7080	70634-0147	15-91-7081	70634-0182
9	15-91-6099	70634-0113	15-91-7090	70634-0148	15-91-7091	70634-0183
10	15-91-6109	70634-0114	15-91-7100	70634-0149	15-91-7101	70634-0184
11	15-91-6119	70634-0115	15-91-7110	70634-0150	15-91-7111	70634-0185
12	15-91-6129	70634-0116	15-91-7120	70634-0151	15-91-7121	70634-0186
13	15-91-6139	70634-0117	15-91-7130	70634-0152	15-91-7131	70634-0187
14	15-91-6149	70634-0118	15-91-7140	70634-0153	15-91-7141	70634-0188
15	15-91-6159	70634-0119	15-91-7150	70634-0154	15-91-7151	70634-0189
16	15-91-6169	70634-0120	15-91-7160	70634-0155	15-91-7161	70634-0190
17	15-91-6179	70634-0121	15-91-7170	70634-0156	15-91-7171	70634-0191
18	15-91-6189	70634-0122	15-91-7180	70634-0157	15-91-7181	70634-0192
19	15-91-6199	70634-0123	15-91-7190	70634-0158	15-91-7191	70634-0193
20	15-91-6209	70634-0124	15-91-7200	70634-0159	15-91-7201	70634-0194
21	15-91-6219	70634-0125	15-91-7210	70634-0160	15-91-7211	70634-0195
22	15-91-6229	70634-0126	15-91-7220	70634-0161	15-91-7221	70634-0196
23	15-91-6239	70634-0127	15-91-7230	70634-0162	15-91-7231	70634-0197
24	15-91-6249	70634-0128	15-91-7240	70634-0163	15-91-7241	70634-0198
25	15-91-6259	70634-0129	15-91-7250	70634-0164	15-91-7251	70634-0199

ALL PARTS ON THIS PAGE ARE TAPE AND REEL PACKED WITH A PICK AND PLACE CAP PER PK-70873-001



SYMBOLS	THIS DRAWING CONTAINS INFORMATION THAT IS PROPRIETARY TO MOLEX ELECTRONIC TECHNOLOGIES, LLC AND SHOULD NOT BE USED WITHOUT WRITTEN PERMISSION														
	DIMENSION UNITS		SCALE		CURRENT REV DESC: TRANS TO 3106										
	mm		5:1		<b>molex</b> SL RTAN HEADER ASSEMBLY SMT WITH PEGS										
	GENERAL TOLERANCES (UNLESS SPECIFIED)														
	ANGULAR TOL		± °		EC NO: 171256										
	4 PLACES		±		DRWN: KSAMIEC 2018/01/31										
	3 PLACES		±		CHK'D: FSMITH 2018/02/22										
	2 PLACES		± 0.25		APPR: FSMITH 2018/02/22										
	1 PLACE		± 0.38		INITIAL REVISION:										
	0 PLACES		± 0.0		DRWN: KSAMIEC 2017/06/15										
DRAFT WHERE APPLICABLE MUST REMAIN WITHIN DIMENSIONS		THIRD ANGLE PROJECTION		DRAWING		SERIES		DOCUMENT NUMBER		DOC TYPE		DOC PART		REVISION	
		B-SIZE		70634		706340000-SD		PSD		000		A1			
		SEE CHART										3 OF 3			

DOCUMENT STATUS	P1	RELEASE DATE	2018/02/22	21:22:22
-----------------	----	--------------	------------	----------