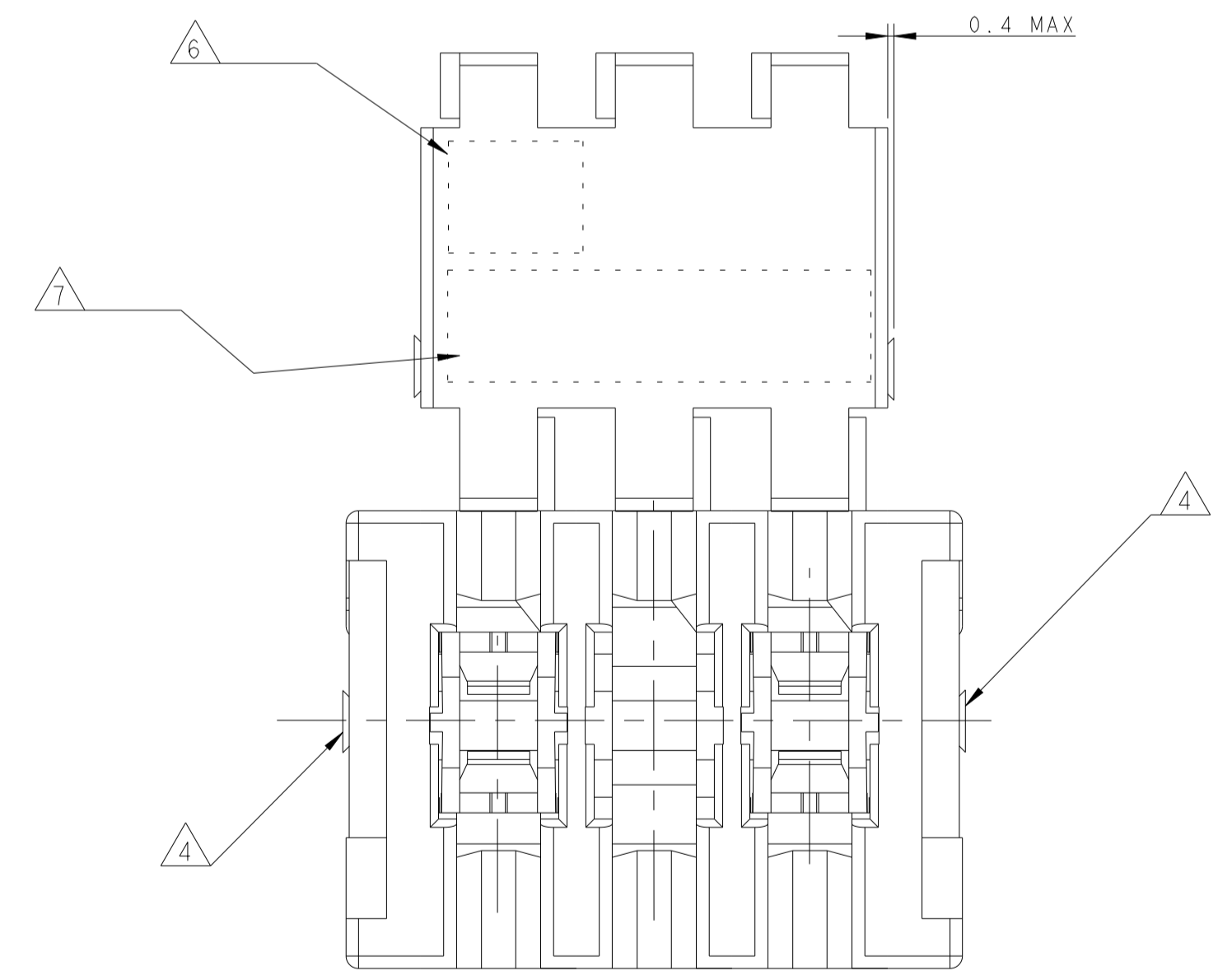
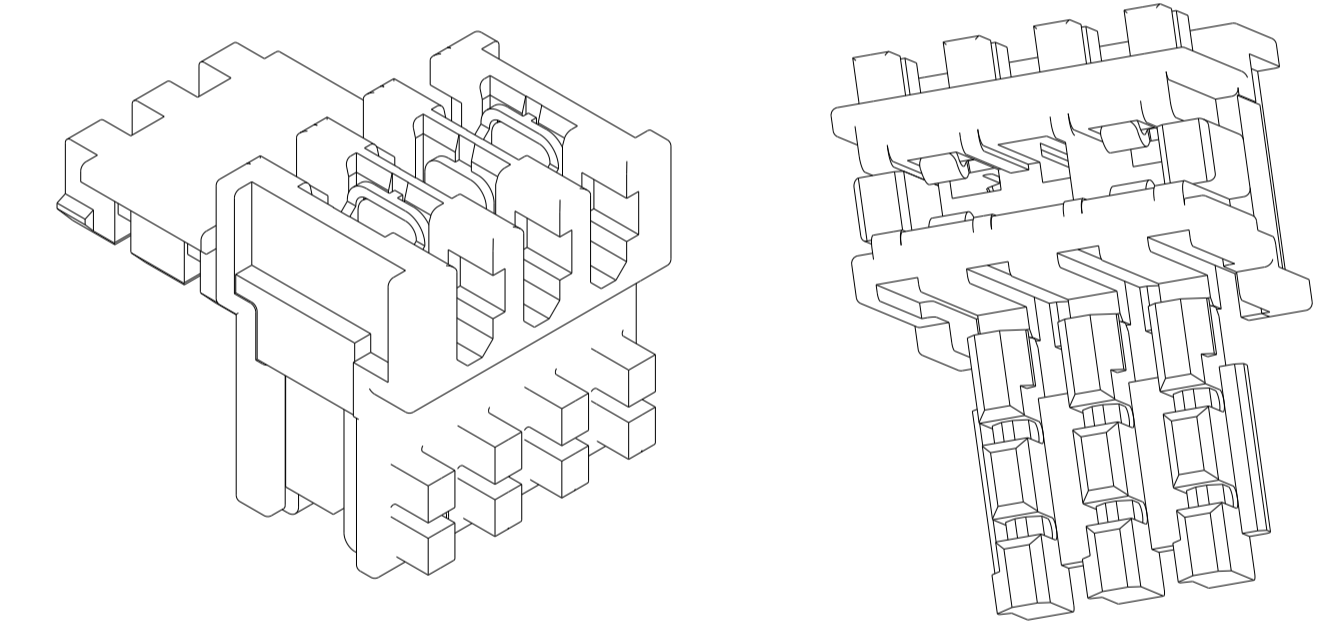
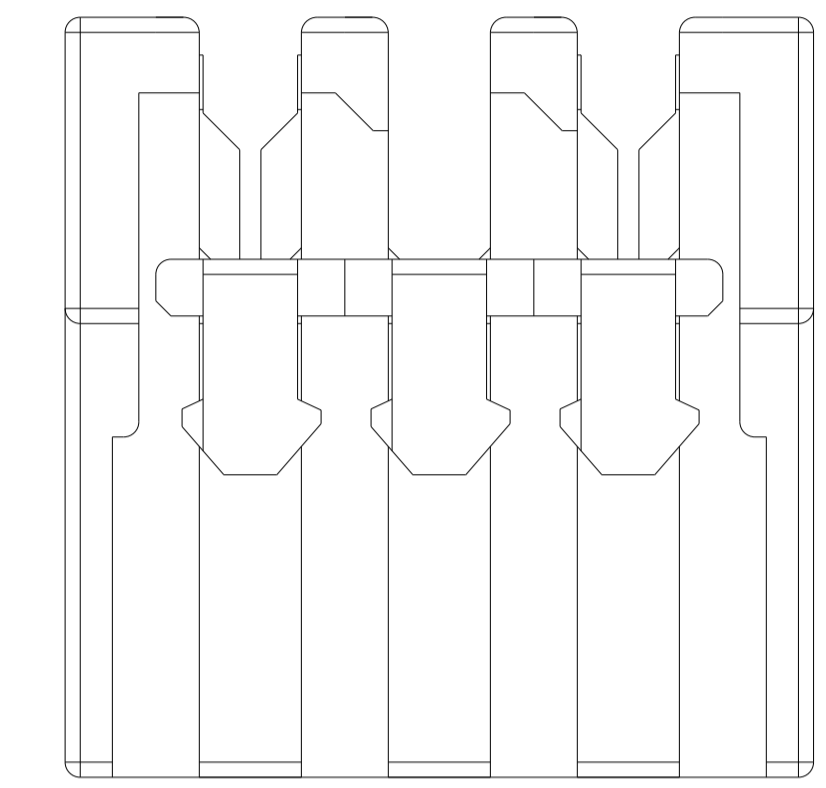
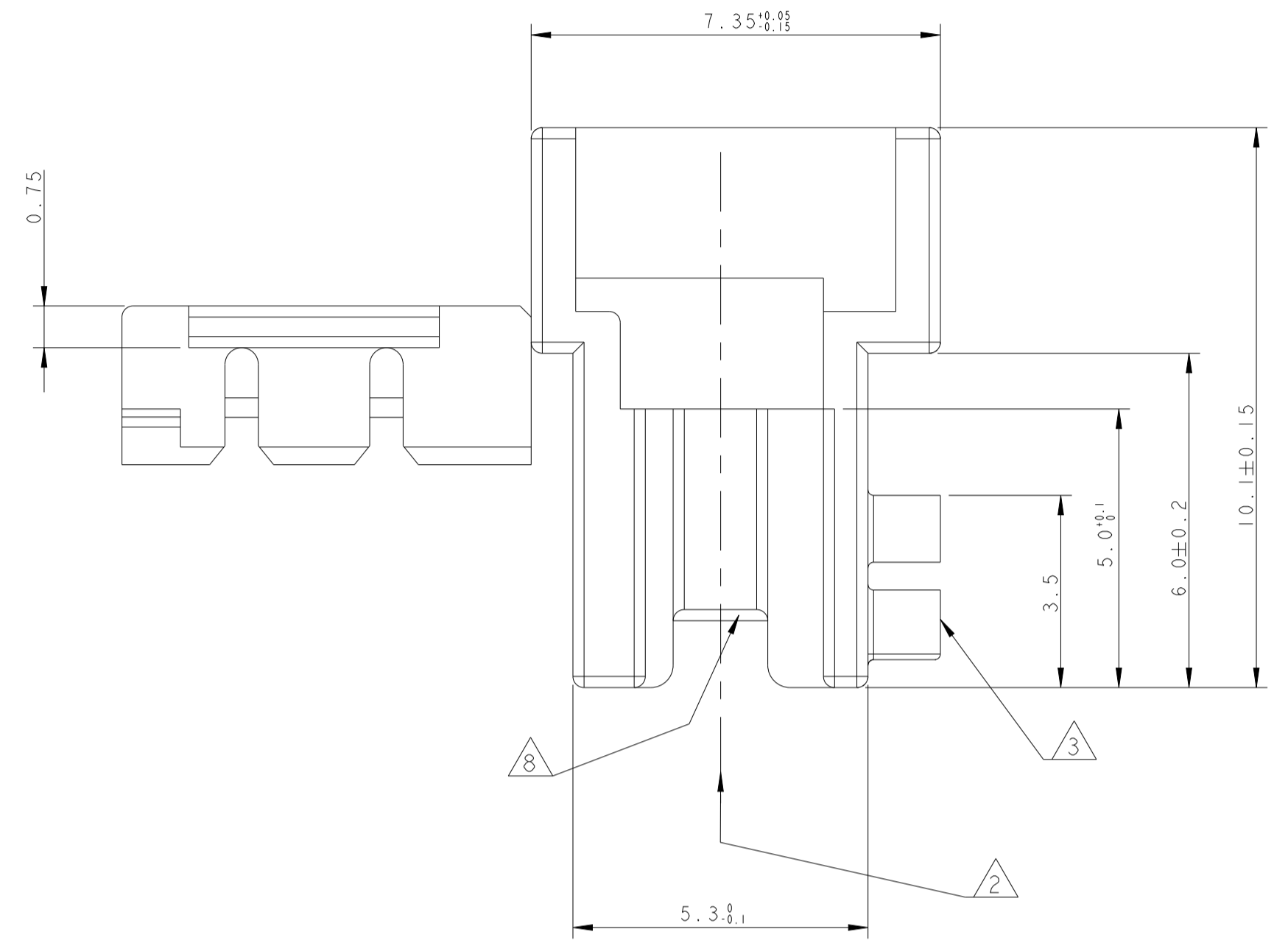
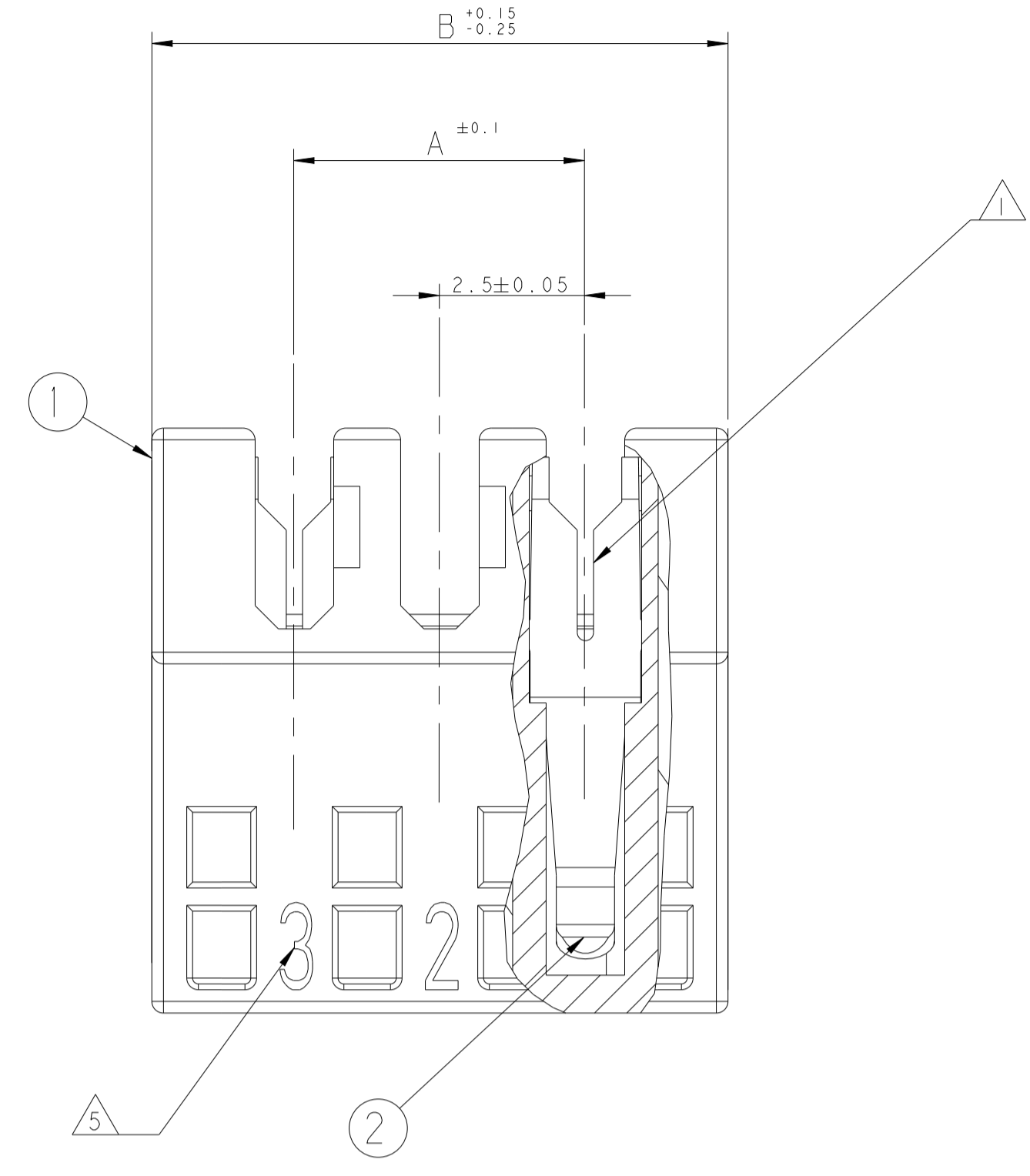
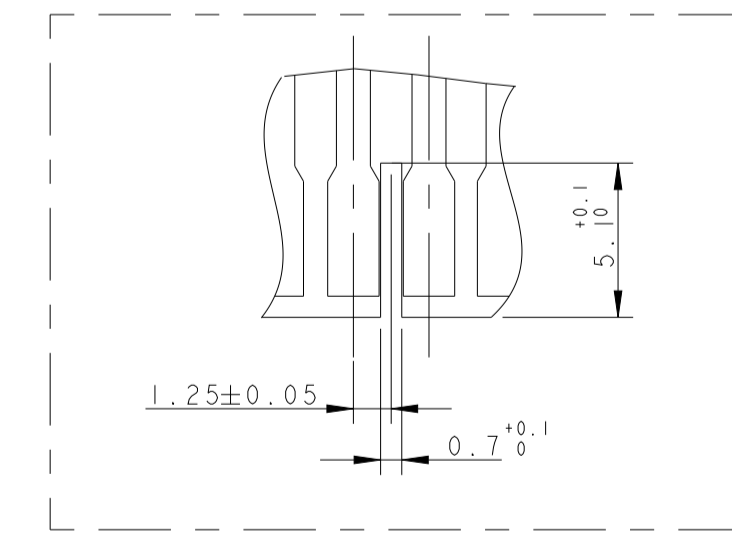


| LOC | | DIST | | REVISIONS | | | |
|-----|-----|---------------------------|-----------|-----------|------|--|--|
| P | LTN | DESCRIPTION | DATE | DWN | APVD | | |
| C9 | | REVISED PER ECR-18-018195 | 21FEB2019 | MG | DC | | |
| D | | REVISED PER ECR-19-015552 | 03DEC2019 | KD | FL | | |
| D1 | | ECR-22-135817 | 15APR2022 | DC | FL | | |
| D2 | | ECR-22-162225 | 30JAN2023 | DC | FL | | |



- 1 WIRE RANGE : STRANDED 0.22-0.35 mm² (INS. DIA. 1.30±0.1)
- 2 MATING PART: TAB HEADER P/Ns 1971817, 1971921, 1971922 AND EQUIVALENT; PCB FRAME P/N 964575 (PCB THK 1.5±0.14 COPPER CLADDING INCLUDED) SEE PRODUCT SPEC. 108-18056 FOR FRAME APPLICATION
- 3 KEYING RIBS TO BE REMOVED BY TERMINATION MACHINE
- 4 CUT OFF DIMENSION DUE TO PRODUCTION PROCESS
- 5 CIRCUIT No. IDENTIFICATION
- 6 TE TRADEMARK (OPTIONAL POSITION)
- 7 TAMPOGRAPHIC COLOUR CODE AREA (P/Ns IDENTIFICATION BEFORE CRIMPING)
- 8 POLARIZATION RIB BETWEEN CAVITIES, (SEE BELOW TYPICAL POLARIZATION CUTOFF ON PCB)



- ⚠ PRELIMINARY PART NOT YET RELEASED FOR PRODUCTION
- ⚠ PART RELEASED WITHOUT EXTENSIVE TERMINATION TESTS

P/N 0-293207-3 AS SHOWN
 SCALE 5:1 / 10:1

| COLOUR CODE | CONTACT LOADING | POLARIZ. RIB POS. | HSG POS. | DIM. A | DIM. B | TE P/N | TE P/N |
|-------------|----------------------------|-------------------|----------|--------|--------|------------|-------------|
| ORANGE | SELECTIVELY 1,2,3,5,7,9,11 | - | 11 | 25.0 | 29.9 | 2-293207-1 | 1-2311506-1 |
| GREEN | SELECTIVELY 1,3,5,7,9,11 | - | 11 | 25.0 | 29.9 | 1-293207-1 | 2311506-1 |
| GREEN | SELECTIVELY 1,3,5,7,9 | - | 9 | 20.0 | 24.9 | 2-293207-9 | 1-2311505-9 |
| ORANGE | SELECTIVELY 1,3,4,6,8,9 | 2/3 | 9 | 20.0 | 24.9 | 0-293207-9 | 2311505-9 |
| GREEN | SELECTIVELY 1,3,5,7 | - | 7 | 15.0 | 19.9 | 0-293207-7 | 2311505-7 |
| GREEN | FULLY LOADED | 5/6 | 6 | 12.5 | 17.4 | 2-293207-6 | 6-2311500-6 |
| ORANGE | FULLY LOADED | - | 6 | 12.5 | 17.4 | 0-293207-6 | 5-2311500-6 |
| GREEN | SELECTIVELY 1,3,5 | - | 5 | 10.0 | 14.9 | 0-293207-5 | 2311505-5 |
| GREEN | FULLY LOADED | - | 3 | 5.0 | 9.9 | 1-293207-3 | 7-2311500-3 |
| ORANGE | SELECTIVELY 1,3 | - | 3 | 5.0 | 9.9 | 0-293207-3 | 2311505-3 |

| Q.TY | MATERIAL | DESCRIPTION | ITEM |
|-----------|--|------------------------|------|
| SEE TABLE | PH. BRONZE, TIN PLATED | IDC RECEPTACLE CONTACT | 2 |
| | PA GF, UL94-V0 & GWPT 750 NO-FLAME, NATURAL | FEMALE HOUSING | 1 |
| | PA66 GLASS FIBER FILLED, ACC. TO IEC 60335-1 REV.4 (GWT 750°C NO FLAME) COLOR WHITE OR NATURAL | FEMALE HOUSING | 1 |

| REVISIONE DELL'ASSEMBLATO (REVISION OF EACH ASSY NO) | ELENCO DEI COMPONENTI (PARTS LIST) |
|--|------------------------------------|
| 0.14 PER ASSEMBLATO (QTY REQ'D PER ASSY) | |

THIS DRAWING IS A CONTROLLED DOCUMENT. DIMENSIONS: mm. TOLERANCES UNLESS OTHERWISE SPECIFIED: 0 PLC ±0.2, 1 PLC ±0.2, 2 PLC ±0.2, 3 PLC ±0.2, 4 PLC ±0.2, ANGLES ±1°. MATERIAL: SEE TABLE. FINISH: -.

OWN: R. FABRIS 22JUN2006. CHK: - 22JUN2006. APVD: G. TURCO 22JUN2006. NAME: DUOPLUG 2.5 FEMALE CONN. STANDARD. SIZE: CAGE CODE DRAWING NO: 114-18049-1. WEIGHT: -. RESTRICTED TO: A100779C=293207. CUSTOMER DRAWING. SCALE 10:1. SHEET 1 OF 1. REV D2.

TE TE Connectivity