

A = 1.5 * No.of Spaces
 B = A + 4.5
 C = A + 2.1
 * Available in 2 through 15 circuits

		TOLERANCE		
Dim	Circuits	2~6P	7~10P	11~15P
A		±0.10	±0.15	±0.20

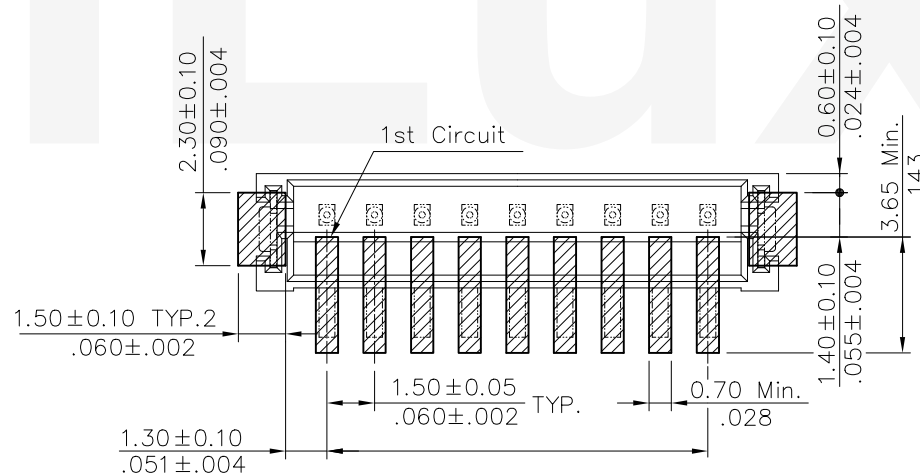
Material:

- * Insulation: High temperature plastic UL 94V-0, Color Nature
- * Contact: Brass with Matte Tin plated
- * TAB: Brass with Matte Tin plated

Ordering Code:

CI15 ** M 1 V * 0 - NH
 ① ② ③ ④ ⑤ ⑥ ⑦ ⑧

- ① Series No.
- ② No. of Circuits:
- ③ Contacts Type: M=SMT
- ④ Plating: 1= 3.05µm(120µ") Min. Matte Tin over 1.27µm(50µ") Nickel
 2= Gold Flash plated over 1.27µm(50µ") Nickel
- ⑤ V = Straight Type
- ⑥ Packing option: R=Tape & Reel with pad
 T=Tube Packing without pad
- ⑦ Option: 0 = Standard
- ⑧ -NH= For Lead Free IR Processes and Halogen-Free



Sold Pad Pattern

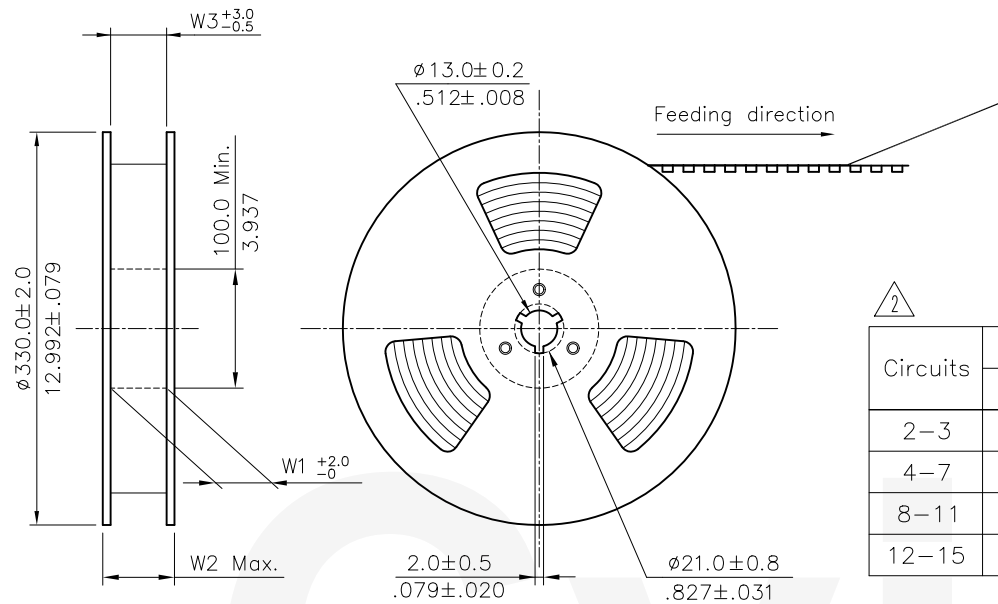
Halogen-Free

Lead Free Process

RoHS Compliant

④					DATE	UNIT: mm / inch	TITLE: 1.50MM(.059") Sraight SMT Type Header	瀚荃股份有限公司 CviLux Corporation	DRAWING NO. CI1529SD PART NO. CI15**M*V*0-NH
③	Karen	1/17-18'	ECNT118014	DRAWN BY: Karen	1/17-18'	TOLERANCE UNLESS OTHERWISE SPECIFIED	MATERIAL:		
②	Enya	9/11-13'	ECNT113054/ECRH113002	ENGINEER: Sun	1/23-18'	.X ± 0.30/012 X: ± 1'	FINISH:	SHEET 1 OF 2	
①	Sun	9/22-11'	ECR11039-2/ECN11060	CHECKED BY: Eisley	1/25-18'	.XX ± 0.20/008 X: ±			
SYM	NAME	DATE	REVISIONS	APPROVED BY: Eisley	1/25-18'	.XXX ± 0.10/004 XX ±			

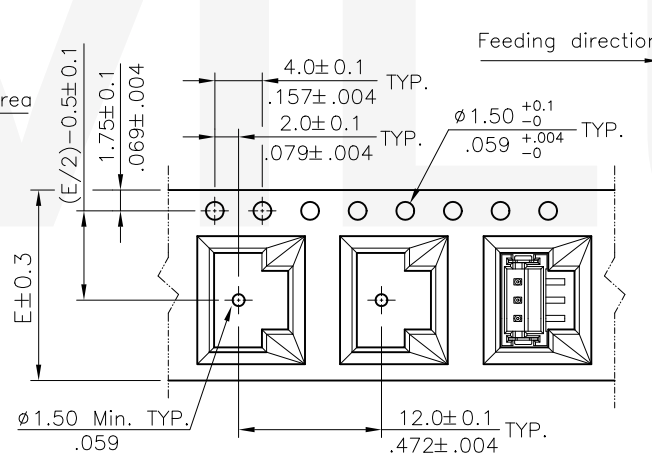
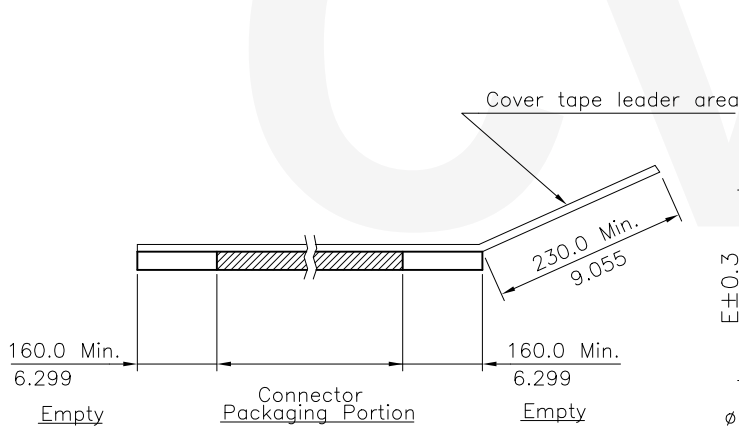
CVILUX CORP
 2018.02.01
 ISSUED



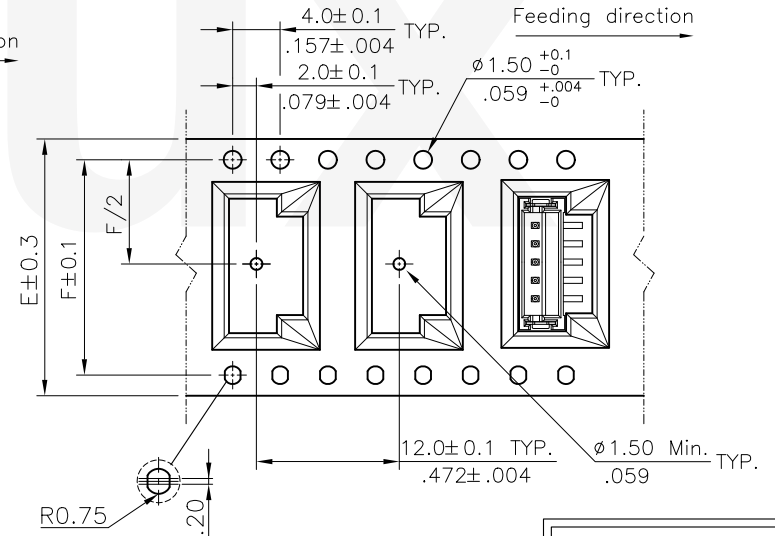
NOTE :

- △ * Reel Material : Corrugated Paper
- * Carrier Material : Clear, Conductive Polystyrene Alloy
- * Cover Tape Material : Polyester
- * Cover Tape Peel Strength : 0.1N – 1.3N
- * Carrier camber is within 1mm in 100mm
- * All dimensions meet EIA-481-2 & EIA-481-3 requirements.
- * Quantity : 900 PCS/Reel

Circuits	Dimension					Packing (Reel/Carton)
	E	F	W1	W2	W3	
2-3	16.0(.630)	-----	16.5(.650)	22.5(.886)	16.5(.650)	11
4-7	24.0(.945)	-----	24.5(.965)	30.5(1.201)	24.5(.965)	9
8-11	32.0(1.260)	28.4(1.118)	32.5(1.280)	38.5(1.516)	32.5(1.280)	7
12-15	44.0(1.732)	40.4(1.596)	44.5(1.752)	50.5(1.988)	44.5(1.752)	5



WIDTH : 16,24 mm Carrier



WIDTH : 32,44 mm Carrier

RoHS Compliant

SYM	NAME	DATE	REVISIONS	APPROVED BY:	DATE	UNIT: mm / inch	TITLE:	MATERIAL:	DRAWING NO. CI1529SD	PART NO. CI15**M*V*0-NH	SCALE	SHEET 2 OF 2
4							1.50MM(.059") Sraight SMT Type Header					
3	Karen	1/17-18'	ECNT118014	DRAWN BY: Karen	1/17-18'	TOLERANCE UNLESS OTHERWISE SPECIFIED .X ± .X' ± I' .XX ± .X ± .XXX ± .XX ±						
2	Enya	9/11-13'	ECNT113054/ECRH113002	ENGINEER: Sun	1/23-18'							
1	Sun	9/22-11'	ECR11039-2/ECN11060	CHECKED BY: Eisley	1/25-18'							
				APPROVED BY: Eisley	1/25-18'							


 2018.02.01
 ISSUED

 瀚荃股份有限公司
 CviLux Corporation