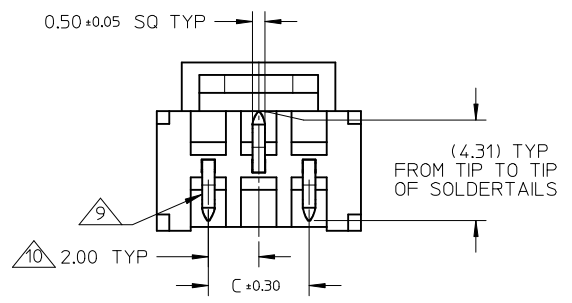
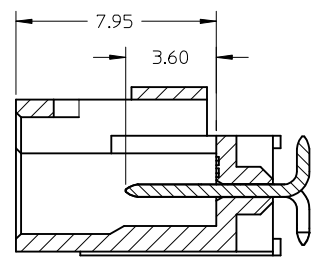
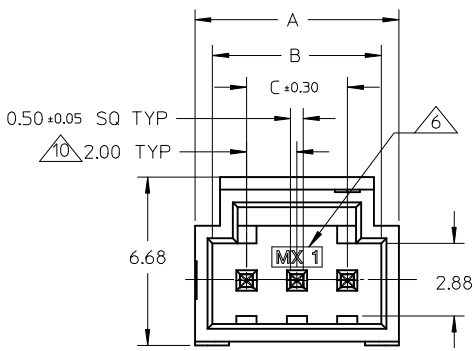
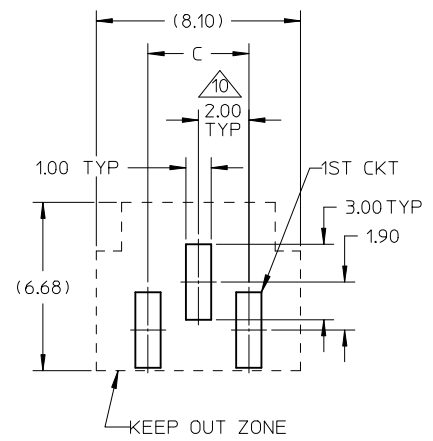
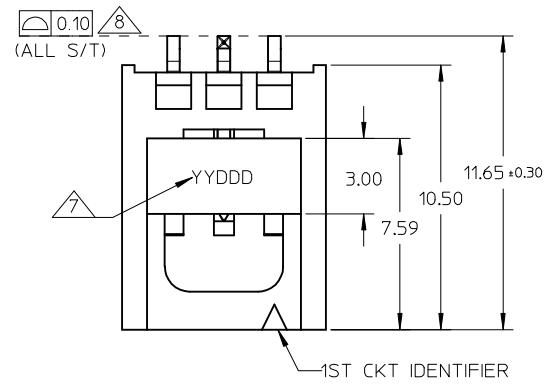


CKT SIZE	DIMENSION				
	A	B	C	D	E
2	6.10	4.70	2.00	7.60	6.40
3	8.10	6.70	4.00	9.60	8.40
4	10.10	8.70	6.00	11.60	10.40
5	12.10	10.70	8.00	13.60	12.40
6	14.10	12.70	10.00	15.60	14.40
7	16.10	14.70	12.00	17.60	16.40
8	18.10	16.70	14.00	19.60	18.40
9	20.10	18.70	16.00	21.60	20.40
10	22.10	20.70	18.00	23.60	22.40

RECOMMENDED PCB LAYOUT  
 GENERAL TOLERANCE: ±0.05  
 (APPLICABLE FROM 4CKT AND ABOVE)



- NOTES:
- MATERIAL:  
 HOUSING: LIQUID CRYSTALLINE POLYMERS (LCP), GLASS FILLED, UL94V-0, BLACK.  
 PIN: COPPER ALLOY, 0.50MM SQ  
 PICK & PLACE CAP: POLYAMIDE (PA), GLASS FILLED, UL94V-0, BLACK.
  - PLATING: SEE TABLE.
  - PRODUCT SPECIFICATION: PS-151062-0001.
  - PACKAGING SPECIFICATION: PK-151062-0001.
  - TO BE MATED WITH MOLEX RECEPTACLES SERIES: 151100.

- MANUFACTURING ID & CAVITY ID SHALL BE LOCATED APPROXIMATELY AS SHOWN.
- DATE CODE: YYDDD IS LOCATED APPROXIMATELY AS SHOWN.
- COPLANARITY TO BE MEASURED BY RESTING THE SOLDER TAIL ON FLAT/GAUGE SURFACE.
- 1ST CKT PIN S/T ALWAYS BENT IN THIS DIRECTION. OTHER PINS TAILS BENDS ALTERNATE FROM 1ST CKT.
- PITCH TOLERANCE SHALL BE NON ACCUMULATED.

REV	DESCRIPTION	QUALITY SYMBOLS		GENERAL TOLERANCES (UNLESS SPECIFIED)		DIMENSION STYLE		SCALE	DESIGN UNITS	THIRD ANGLE PROJECTION
		F <sub>A</sub> =0	F <sub>B</sub> =0	mm	INCH	MM ONLY				
A	RELEASE TO REV A EC NO: S2016-0665 DRWN:FCS00 2016/01/27 CHKD:CGOH 2016/02/16 APPR:KHLIM 2016/02/16									
				4 PLACES	± --- ± ---	FCS00	DATE			
				3 PLACES	± --- ± ---		2014/12/12			
				2 PLACES	± 0.20 ± ---	FCS00	DATE			
				1 PLACE	± --- ± ---		2014/12/12			
				0 PLACE	± --- ± ---		DATE			
					ANGULAR ± 3 °	KHLIM	2015/07/02			
					DRAFT WHERE APPLICABLE MUST REMAIN WITHIN DIMENSIONS					
						SIZE				
						A3				

TITLE

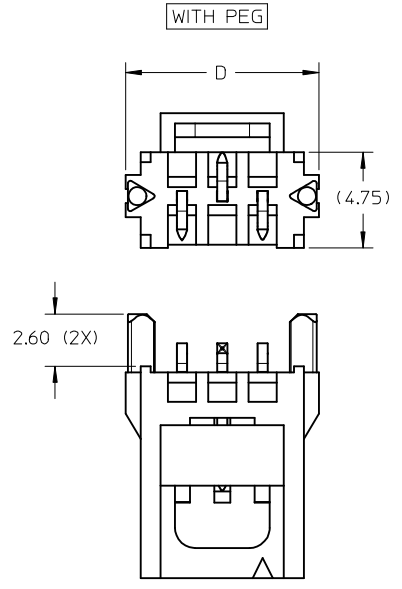
SALES DRAWING  
 PCB HEADER, VERTICAL SMT  
 SINGLE ROW MILLIGRID

**molex**

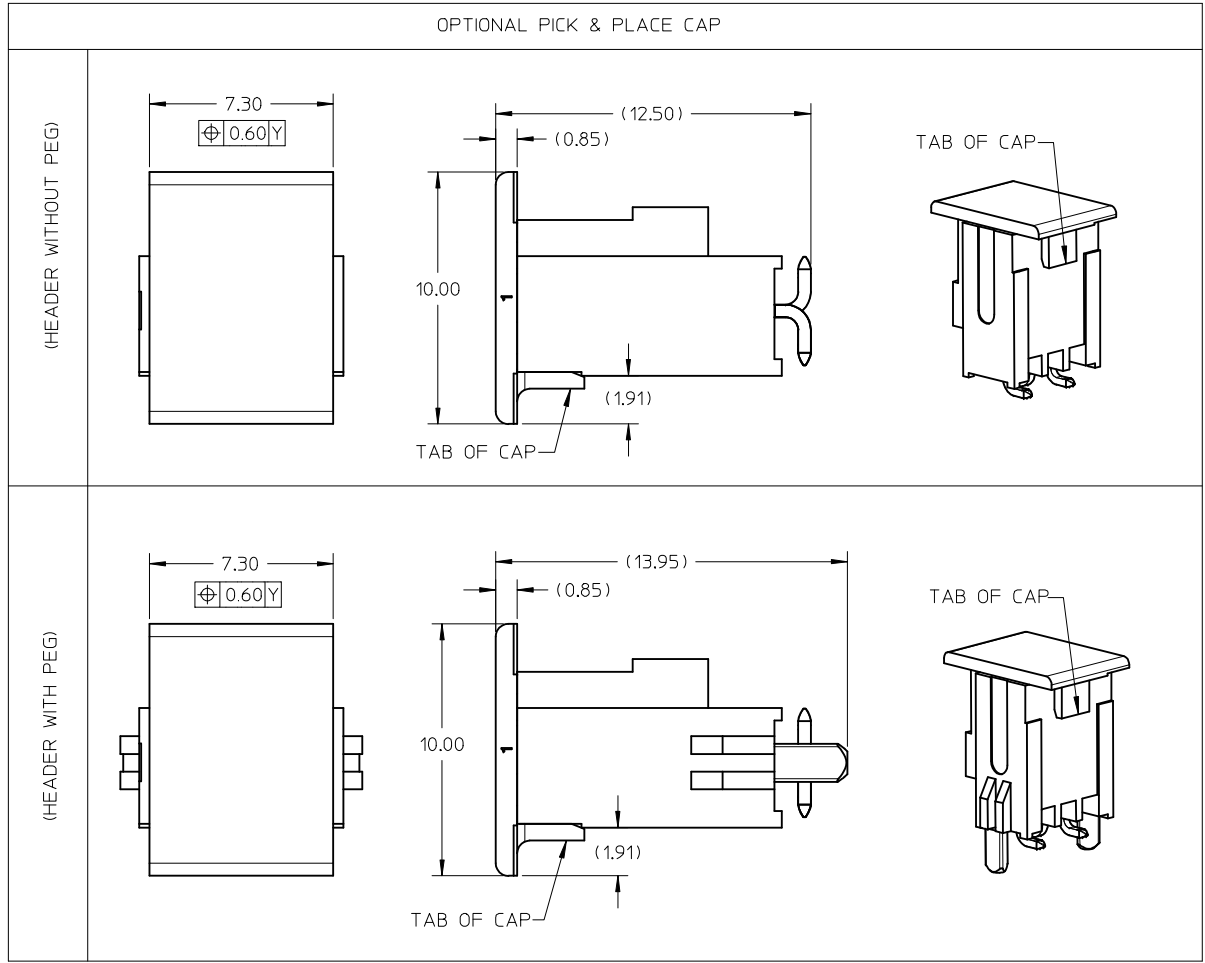
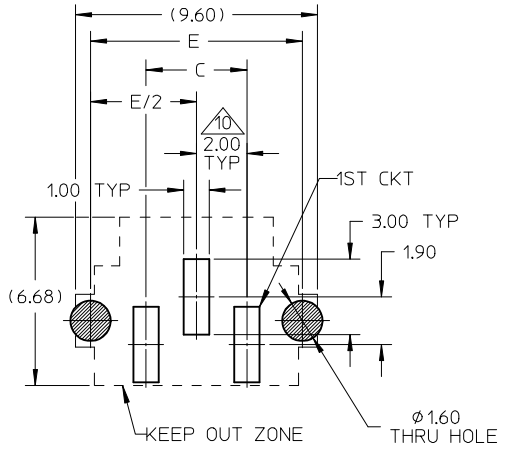
DOCUMENT NO. SD-151062-0001

SHEET NO. 1 OF 3

THIS DRAWING CONTAINS INFORMATION THAT IS PROPRIETARY TO MOLEX INCORPORATED AND SHOULD NOT BE USED WITHOUT WRITTEN PERMISSION



RECOMMENDED PCB LAYOUT  
GENERAL TOLERANCE: ±0.05



<b>RELEASE TO REV A</b> EC NO: S2016-0665 DRWN:FCS00 2016/01/27 CHKD:CGOH 2016/02/16 APPR:KHLIM 2016/02/16	QUALITY SYMBOLS $F_A=0$ $F_G=0$ $F_P=0$	GENERAL TOLERANCES (UNLESS SPECIFIED)		DIMENSION STYLE <b>MM ONLY</b>		SCALE NTS	DESIGN UNITS METRIC	THIRD ANGLE PROJECTION		
		4 PLACES ± --- ± ---	3 PLACES ± --- ± ---	DRAWN BY FCS00	DATE 2014/12/12	TITLE SALES DRAWING PCB HEADER, VERTICAL SMT SINGLE ROW MILLIGRID				
		2 PLACES ± 0.20 ± ---	1 PLACE ± --- ± ---	CHECKED BY FCS00	DATE 2014/12/12	APPROVED BY DATE 2015/07/02				
		0 PLACE ± --- ± ---	ANGULAR ± 3 °		MATERIAL NO.	DOCUMENT NO.				
DRAFT WHERE APPLICABLE MUST REMAIN WITHIN DIMENSIONS	SEE TABLE		THIS DRAWING CONTAINS INFORMATION THAT IS PROPRIETARY TO MOLEX INCORPORATED AND SHOULD NOT BE USED WITHOUT WRITTEN PERMISSION		SD-151062-0001			SHEET NO. 2 OF 3		

ASSEMBLY

151062 - X X X X

04 - 10	4-10 CKT W/O PEG
52 - 60	2-10 CKT WITH PEG
	52 = 2CKT
	53 = 3CKT
	.
	59 = 9CKT
	60 = 10CKT

PLATING		CAP VERSION
0	FULL TIN	WITHOUT CAP
1	Au FLASH	
2	0.38 Au	
3	0.75 Au	
4	FULL TIN	WITH CAP
5	Au FLASH	
6	0.38 Au	
7	0.75 Au	
8	OTHER OPTIONS	
9		

PACKAGING	
0	TAPE & REEL
1	TUBE
	OTHER OPTIONS

PLATING OPTIONS	
-*0** & -*4**	2.50µm MIN. TIN ON CONTACT AND 2.00µm MIN. TIN (MATTE) ON SOLDERTAIL OVER 1.25µm MIN. NICKEL OVERALL.
-*1** & -*5**	0.05µm MIN. GOLD PLATE ON CONTACT AND 2.00µm MIN. TIN (MATTE) ON SOLDERTAIL OVER 1.25µm MIN. NICKEL OVERALL.
-*2** & -*6**	0.38µm MIN. GOLD PLATE ON CONTACT AND 2.00µm MIN. TIN (MATTE) ON SOLDERTAIL OVER 1.25µm MIN. NICKEL OVERALL.
-*3** & -*7**	0.75µm MIN. GOLD PLATE ON CONTACT AND 2.00µm MIN. TIN (MATTE) ON SOLDERTAIL OVER 1.25µm MIN. NICKEL OVERALL.

PACKAGING OPTION AND CAP	
TAPE & REEL	151000-4***
PACKAGING TUBE	151000-3015 (WITHOUT CAP) 151000-3018 (WITH CAP)
CAP	151088-0001

RELEASE TO REV A EC NO: S2016-0665 DRWN:FCS00 2016/01/27 CHKD:CGOH 2016/02/16 APPR:KHLIM 2016/02/16	REV DESCRIPTION A	QUALITY SYMBOLS	$\nabla_A = 0$ $\nabla_C = 0$ $\nabla_P = 0$	GENERAL TOLERANCES (UNLESS SPECIFIED)	mm    INCH 4 PLACES ± --- ± --- 3 PLACES ± --- ± --- 2 PLACES ± 0.20 ± --- 1 PLACE ± --- ± --- 0 PLACE ± --- ± ---	DIMENSION STYLE	MM ONLY	SCALE	NTS	DESIGN UNITS	METRIC	THIRD ANGLE PROJECTION		
		DRAFT WHERE APPLICABLE MUST REMAIN WITHIN DIMENSIONS	ANGULAR ± 3 °	DRAWN BY	FCS00	DATE	2014/12/12	TITLE	SALES DRAWING PCB HEADER, VERTICAL SMT SINGLE ROW MILLIGRID					
				CHECKED BY	FCS00	DATE	2014/12/12	APPROVED BY	KHLIM	DATE	2015/07/02			
				MATERIAL NO.	SEE TABLE		DOCUMENT NO.	SD-151062-0001		SHEET NO.	3 OF 3			
THIS DRAWING CONTAINS INFORMATION THAT IS PROPRIETARY TO MOLEX INCORPORATED AND SHOULD NOT BE USED WITHOUT WRITTEN PERMISSION														