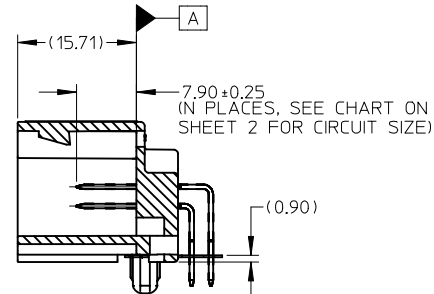
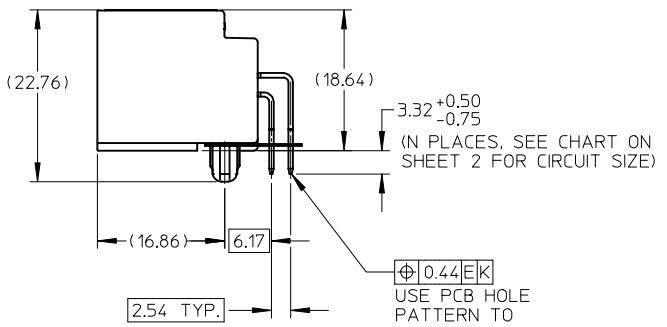
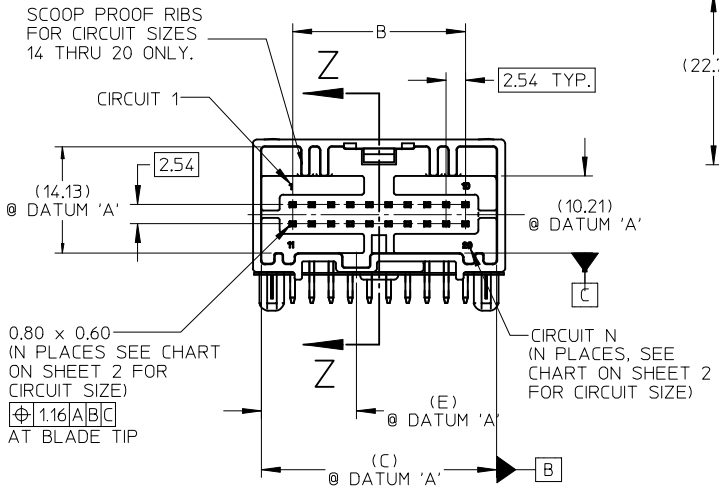
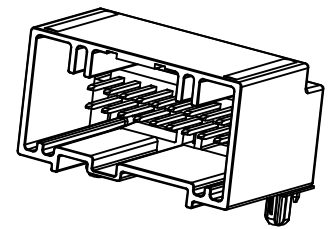


20 CIRCUIT RIGHT ANGLE HEADER ASSEMBLY SHOWN

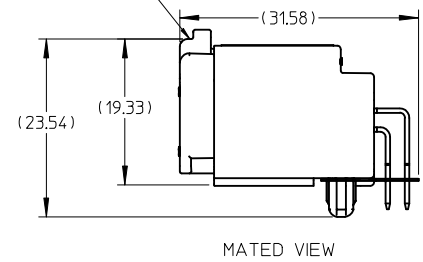
DATECODE, SEE NOTE 6



SECTION Z-Z



HARNESS ASSEMBLY
SEE SALES DRAWING
SD-30700-120.

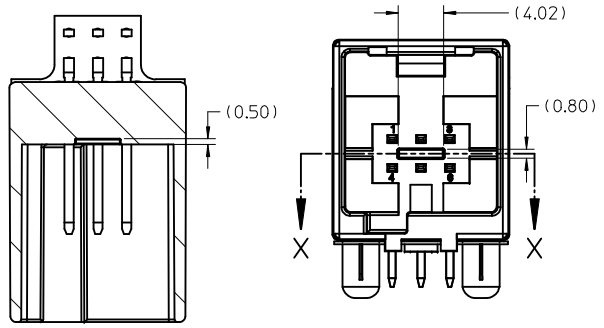
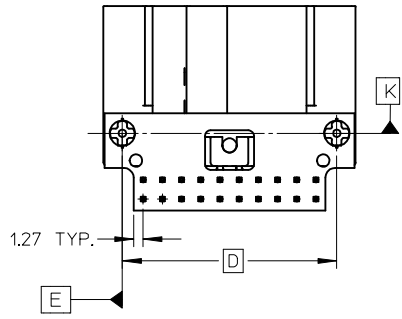


MATED VIEW

NOTES:

- MATERIAL: HOUSING: SPS, GLASS FILLED, COLOR: SEE CHART. TERMINAL: COPPER ALLOY. PIN ALIGNMENT PLATE: MYLAR, COLOR: NATURAL (WHITE).
- FINISHES: TERMINAL: 150-250µm TIN (Sn) OVERALL; 1.25µm MIN NICKEL (Ni) UNDERPLATE OVERALL.
- PRODUCT SPECIFICATION: PS-30700-0001
- PACKAGING SPECIFICATION : TUBE: PK-30907-227, TRAY: PK-30907-260
- MATES WITH: SERIES 30700, SEE SALES DRAWING SD-30700-120.
- DATECODE DESCRIPTION:
 - 1ST DIGIT: MACHINE ID# (ALWAYS WILL BE '2')
 - 2ND THROUGH 4TH DIGIT: DAY# OF THE CALENDAR YEAR (EXAMPLE: FEB. 3RD = '034')
 - 5TH DIGIT: LAST DIGIT OF THE CALENDAR YEAR (EXAMPLE: 1999 = '9')
 - 6TH THROUGH 7TH DIGIT: HOUR OF THE DAY.
- RECOMMENDED OPTIONAL SCREW: M2 x 0.89, 6mm IN LENGTH, PAN COLLAR HEAD, 6 LOBE. TORQUE: 7 NEWTON CENTIMETERS

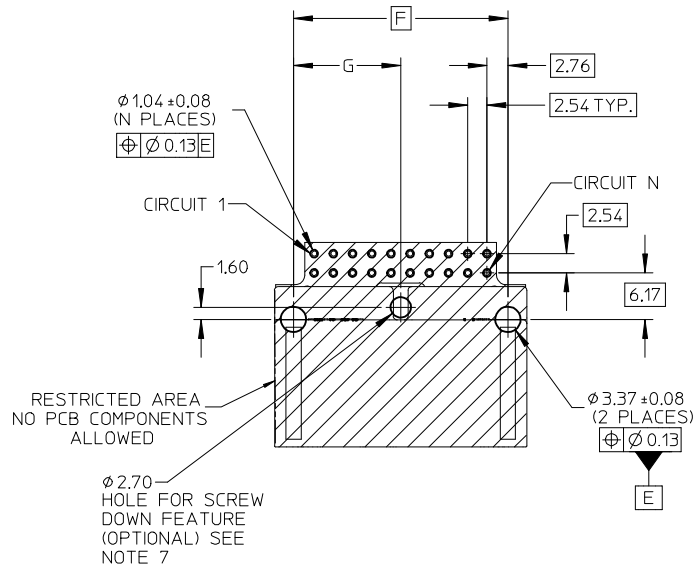
BELOW VIEWS APPLY TO
30700-5067/8/9 PART NUMBERS



SECTION X-X
SCALE 3:1

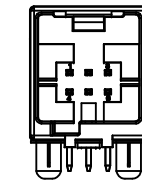
SEE ECN# UAU2001-0258 EC NO: UAU2017-0015 DRWN: JFISCHER02015/06/09 CHKD: APPR: RBAUMAN 2016/07/15	QUALITY SYMBOLS	GENERAL TOLERANCES (UNLESS SPECIFIED)		SCALE 2:1	DESIGN UNITS METRIC	THIRD ANGLE PROJECTION	REVISE ON CAD ONLY
	DESCRIPTION REV B4	4 PLACES	mm	INCH	DIMENSION STYLE MM ONLY		TITLE 6-20 CIRCUIT RIGHT ANGLE HEADER ASSEMBLY
		3 PLACES	± ---	± ---	DRAWN BY RCARLSON	DATE 01/03/20	
		2 PLACES	± 0.13	± ---	CHECKED BY CKRISHNA	DATE 01/03/27	
	1 PLACE	± 0.25	± ---	APPROVED BY LGIEIB	DATE 01/03/28	MOLEX INCORPORATED MATERIAL NO. ENTER-PART DOCUMENT NO. SD-30700-520 SHEET NO. 1 OF 3	
	ANGULAR ± 1 °		DRAFT WHERE APPLICABLE		THIS DRAWING CONTAINS INFORMATION THAT IS PROPRIETARY TO MOLEX INCORPORATED AND SHOULD NOT BE USED WITHOUT WRITTEN PERMISSION		
	MUST REMAIN WITHIN DIMENSIONS						

20 CIRCUIT PCB LAYOUT SHOWN BELOW

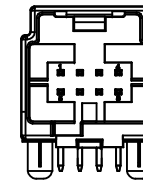


PCB LAYOUT: COMPONENT SIDE
RECOMMENDED PCB THICKNESS: 1.57±0.17

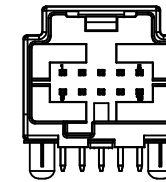
PCB LAYOUT DIMENSIONS		
CIRCUIT SIZE (N)	F	G
20	28.38	14.19
18	25.84	12.92
16	23.30	11.65
14	20.76	10.38
12	18.22	9.11
10	15.68	7.84
8	13.14	6.57
6	10.60	5.30



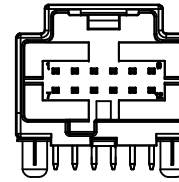
6 CIRCUIT RIGHT ANGLE HEADER
30700-5060



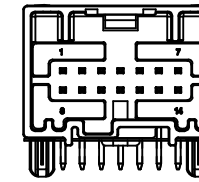
8 CIRCUIT RIGHT ANGLE HEADER
30700-5080



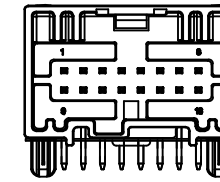
10 CIRCUIT RIGHT ANGLE HEADER
30700-5100



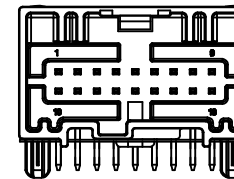
12 CIRCUIT RIGHT ANGLE HEADER
30700-5120



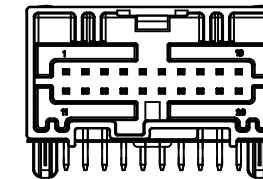
14 CIRCUIT RIGHT ANGLE HEADER
30700-5147



16 CIRCUIT RIGHT ANGLE HEADER
30700-5167



18 CIRCUIT RIGHT ANGLE HEADER
30700-5187



20 CIRCUIT RIGHT ANGLE HEADER
30700-5207

SEE ECN# UAU2001-0258 EC NO: UAU2017-0015 DRWN: JFISCHER02015/06/09 CHKD: APPR: RBAUMAN 2016/07/15	QUALITY SYMBOLS	GENERAL TOLERANCES (UNLESS SPECIFIED)		SCALE 2:1	DESIGN UNITS METRIC	THIRD ANGLE PROJECTION	REVISE ON CAD ONLY	
	▼ - 0 ∇ - 0		mm	INCH	DIMENSION STYLE MM ONLY		TITLE	
		4 PLACES	± ---	± ---	DRAWN BY R CARLSON		DATE 01/03/20	6-20 CIRCUIT RIGHT ANGLE HEADER ASSEMBLY
		3 PLACES	± ---	± ---	CHECKED BY C KRISHNA		DATE 01/03/27	
2 PLACES	± 0.13	± ---	APPROVED BY L GEIB		DATE 01/03/28	MATERIAL NO. ENTER-PART SD-30700-520		
		1 PLACE	± 0.25	± ---	ANGULAR ± 1 °		DOCUMENT NO. SD-30700-520	
		DRAFT WHERE APPLICABLE MUST REMAIN WITHIN DIMENSIONS		THIS DRAWING CONTAINS INFORMATION THAT IS PROPRIETARY TO MOLEX INCORPORATED AND SHOULD NOT BE USED WITHOUT WRITTEN PERMISSION		SHEET NO. 2 OF 3		

PACKAGING		POLARIZATION OPTIONS & CIRCUIT SIZE		PRODUCT DIMENSIONS						
ASSEMBLY P/N TRAY PACKED	ASSEMBLY P/N TUBE PACKED	RIGHT ANGLE HEADER ASSEMBLY (POLARIZATION OPTIONS)	CIRCUIT SIZE	A	B	(C)	D	(E)	HOUSING COLOR	STATUS
30700-5207	30700-5204	POLARIZATION OPTION #1	20	33.39	22.86	31.14	28.38	12.57	GRAY	RELEASED
30700-5208	30700-5205	POLARIZATION OPTION #2	20	33.39	22.86	31.14	28.38	15.57	BLACK	RELEASED
30700-5209	30700-5206	POLARIZATION OPTION #3	20	33.39	22.86	31.14	28.38	18.57	NATURAL (CREAM)	RELEASED
30700-5187	30700-5184	POLARIZATION OPTION #1	18	30.85	20.32	28.60	25.84	11.31	GRAY	RELEASED
30700-5188	30700-5185	POLARIZATION OPTION #2	18	30.85	20.32	28.60	25.84	14.31	BLACK	RELEASED
30700-5189	30700-5186	POLARIZATION OPTION #3	18	30.85	20.32	28.60	25.84	17.31	NATURAL (CREAM)	RELEASED
30700-5167	30700-5164	POLARIZATION OPTION #1	16	28.31	17.78	26.06	23.30	10.04	GRAY	RELEASED
30700-5168	30700-5165	POLARIZATION OPTION #2	16	28.31	17.78	26.06	23.30	13.04	BLACK	RELEASED
30700-5169	30700-5166	POLARIZATION OPTION #3	16	28.31	17.78	26.06	23.30	16.04	NATURAL (CREAM)	RELEASED
30700-5147	30700-5144	POLARIZATION OPTION #1	14	25.77	15.24	23.52	20.76	8.77	GRAY	RELEASED
30700-5148	30700-5145	POLARIZATION OPTION #2	14	25.77	15.24	23.52	20.76	11.77	BLACK	RELEASED
30700-5149	30700-5146	POLARIZATION OPTION #3	14	25.77	15.24	23.52	20.76	14.77	NATURAL (CREAM)	RELEASED
30700-5120	30700-5124	POLARIZATION OPTION #1	12	23.23	12.70	20.98	18.22	7.50	GRAY	RELEASED
30700-5121	30700-5125	POLARIZATION OPTION #2	12	23.23	12.70	20.98	18.22	10.50	BLACK	RELEASED
30700-5122	30700-5126	POLARIZATION OPTION #3	12	23.23	12.70	20.98	18.22	13.50	NATURAL (CREAM)	RELEASED
30700-5100	30700-5104	POLARIZATION OPTION #1	10	20.69	10.16	18.44	15.68	6.23	GRAY	RELEASED
30700-5101	30700-5105	POLARIZATION OPTION #2	10	20.69	10.16	18.44	15.68	9.23	BLACK	RELEASED
30700-5102	30700-5106	POLARIZATION OPTION #3	10	20.69	10.16	18.44	15.68	12.23	NATURAL (CREAM)	RELEASED
30700-5080	30700-5084	POLARIZATION OPTION #1	8	18.15	7.62	15.90	13.14	4.96	GRAY	RELEASED
30700-5081	30700-5085	POLARIZATION OPTION #2	8	18.15	7.62	15.90	13.14	7.96	BLACK	RELEASED
30700-5082	30700-5086	POLARIZATION OPTION #3	8	18.15	7.62	15.90	13.14	10.96	NATURAL (CREAM)	RELEASED
30700-5060	30700-5064	POLARIZATION OPTION #1	6	15.61	5.08	13.36	10.60	3.69	GRAY	RELEASED
30700-5061	30700-5065	POLARIZATION OPTION #2	6	15.61	5.08	13.36	10.60	6.69	BLACK	RELEASED
30700-5062	30700-5066	POLARIZATION OPTION #3	6	15.61	5.08	13.36	10.60	9.69	NATURAL (CREAM)	RELEASED
30700-5067	TBD	POLARIZATION OPTION #1 (MOAT)	6	15.61	5.08	13.36	10.60	3.69	GRAY	RELEASED
30700-5068	TBD	POLARIZATION OPTION #2 (MOAT)	6	15.61	5.08	13.36	10.60	6.69	BLACK	RELEASED
30700-5069	TBD	POLARIZATION OPTION #3 (MOAT)	6	15.61	5.08	13.36	10.60	9.69	NATURAL (CREAM)	RELEASED

ENTER DESCRIPTION EC NO: UAU2017-0015 DRWN: FJSCHER01 2015/06/09 CHKD: APPR: RBAUMAN 2016/07/15 REV: B4	QUALITY SYMBOLS ▽=0 ▽=0 ▽=0	GENERAL TOLERANCES (UNLESS SPECIFIED) <table border="1"> <tr><th colspan="2">mm</th><th>INCH</th></tr> <tr><td>4 PLACES ±</td><td>---</td><td>± ---</td></tr> <tr><td>3 PLACES ±</td><td>---</td><td>± ---</td></tr> <tr><td>2 PLACES ±</td><td>0.13</td><td>± ---</td></tr> <tr><td>1 PLACE ±</td><td>0.25</td><td>± ---</td></tr> <tr><td>0 PLACE ±</td><td>---</td><td>± ---</td></tr> </table>	mm		INCH	4 PLACES ±	---	± ---	3 PLACES ±	---	± ---	2 PLACES ±	0.13	± ---	1 PLACE ±	0.25	± ---	0 PLACE ±	---	± ---	DIMENSION STYLE MM ONLY DRAWN BY DATE R. CARLSON 01/03/20 CHECKED BY DATE CKRISHNA 01/03/27 APPROVED BY DATE LGEIB 01/03/28	SCALE 1:1 DESIGN UNITS METRIC THIRD ANGLE PROJECTION	TITLE 6-20 CIRCUIT RIGHT ANGLE HEADER ASSEMBLY molex	MATERIAL NO. 9999999999 DOCUMENT NO. SD-30700-520 SHEET NO. 3 OF 3
	mm		INCH																					
	4 PLACES ±	---	± ---																					
	3 PLACES ±	---	± ---																					
2 PLACES ±	0.13	± ---																						
1 PLACE ±	0.25	± ---																						
0 PLACE ±	---	± ---																						
DRAFT WHERE APPLICABLE MUST REMAIN WITHIN DIMENSIONS		ANGULAR ± 1°		THIS DRAWING CONTAINS INFORMATION THAT IS PROPRIETARY TO MOLEX INCORPORATED AND SHOULD NOT BE USED WITHOUT WRITTEN PERMISSION																				