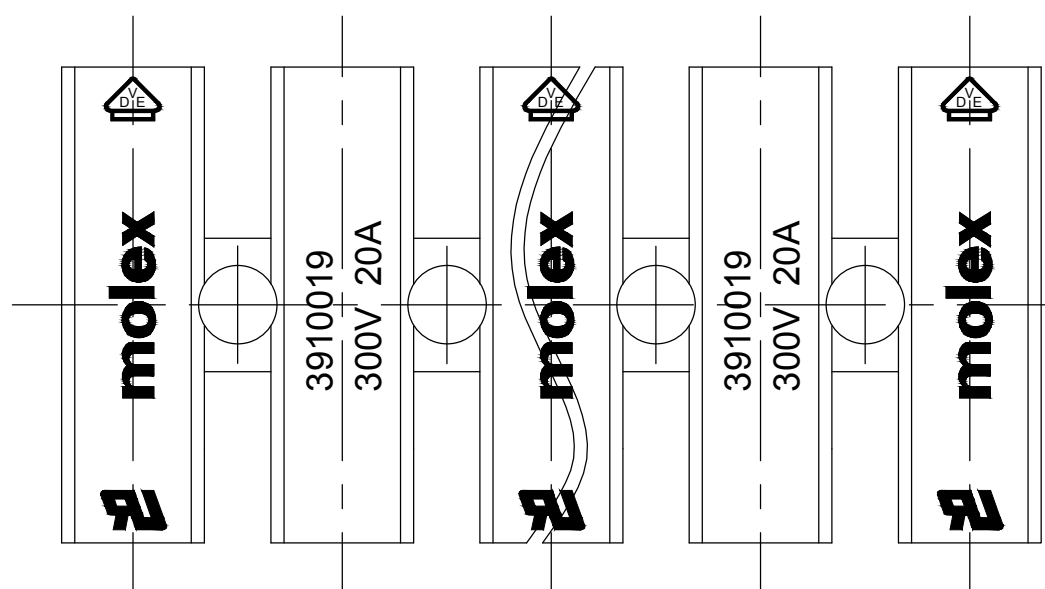
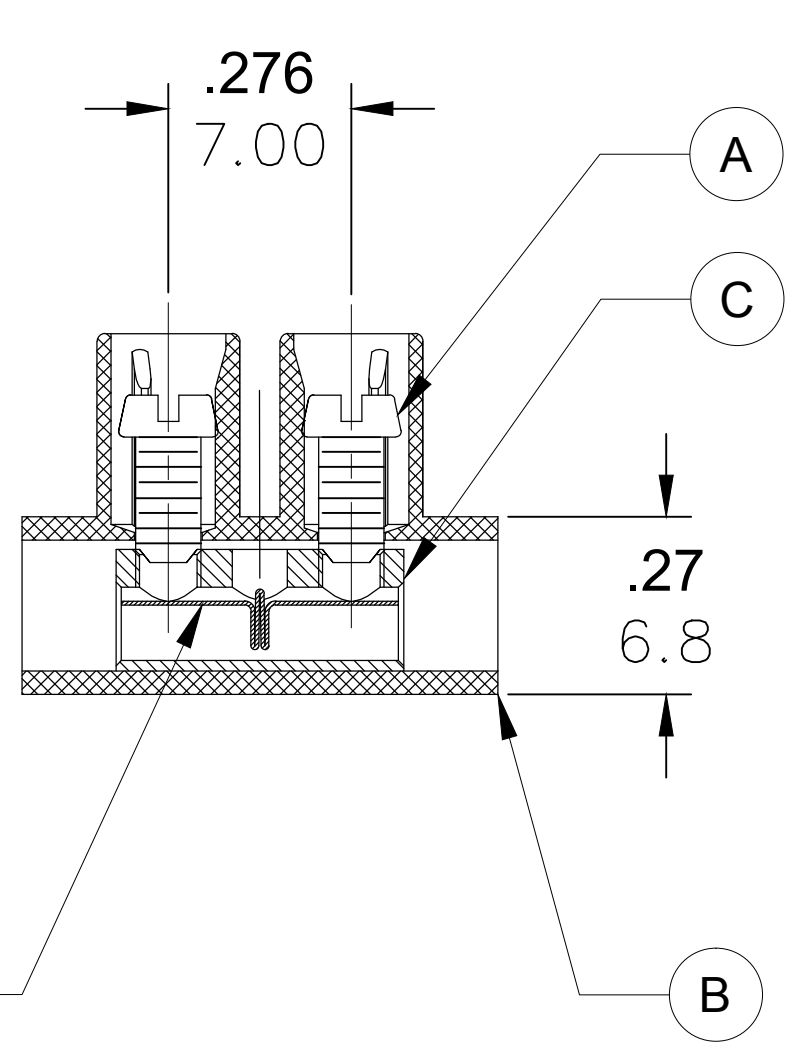
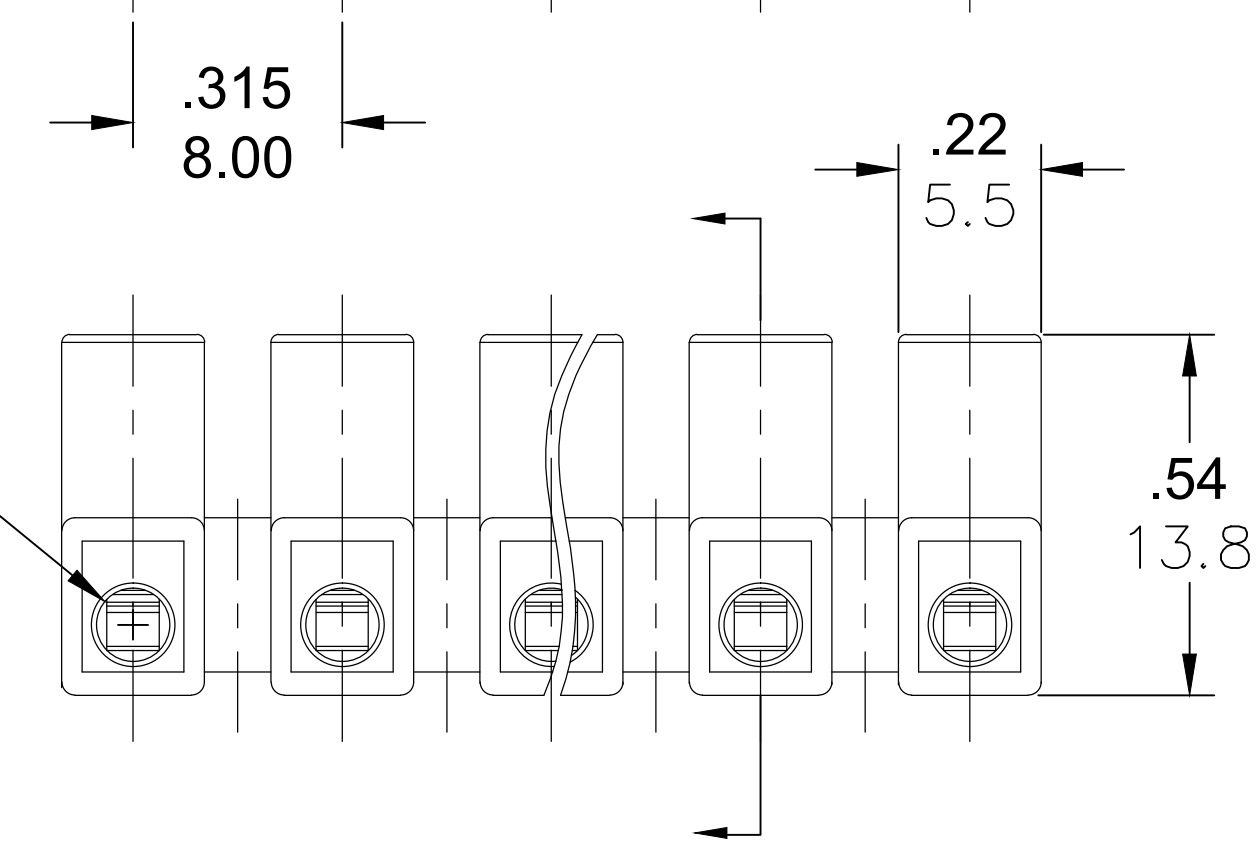
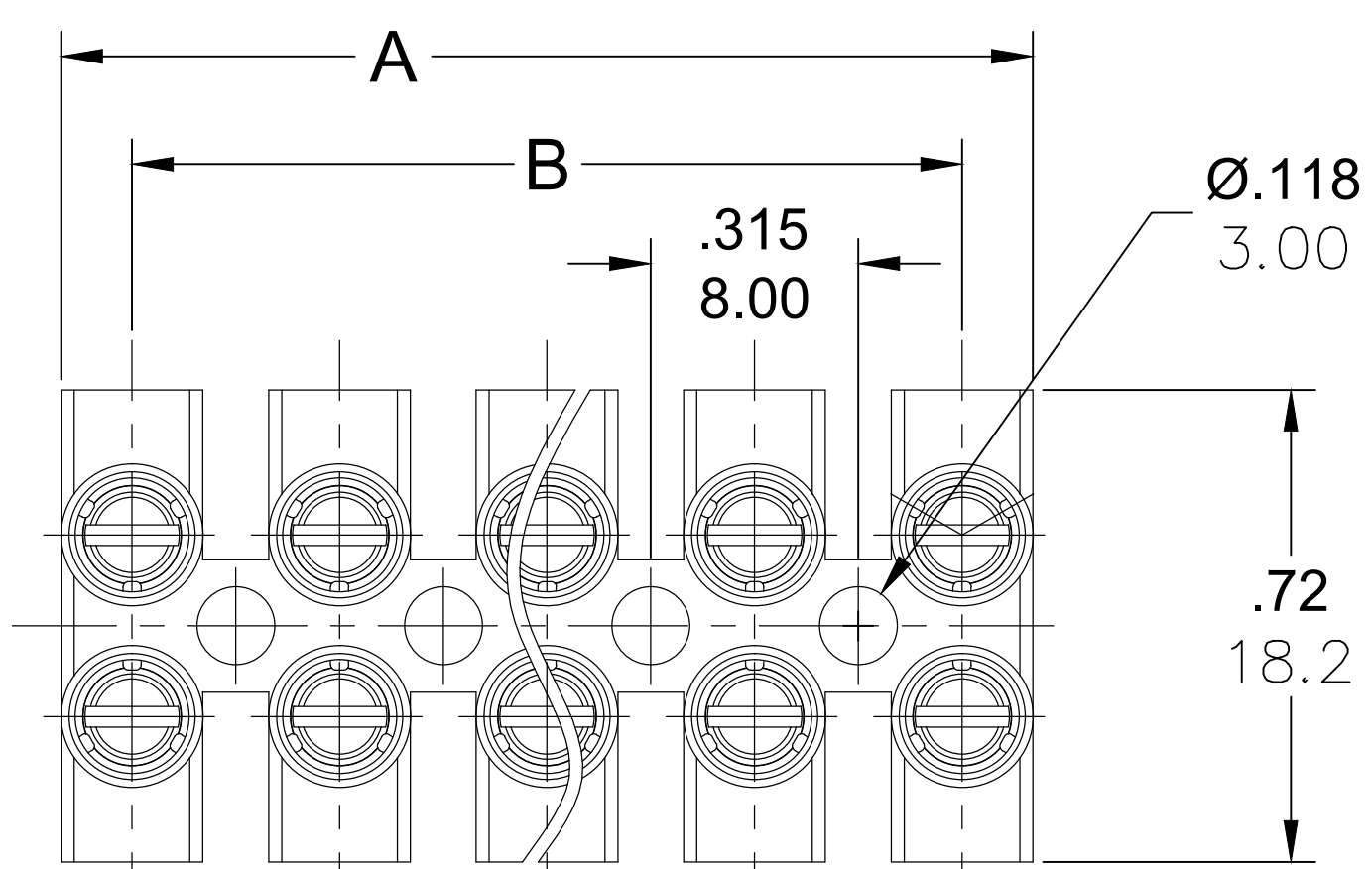


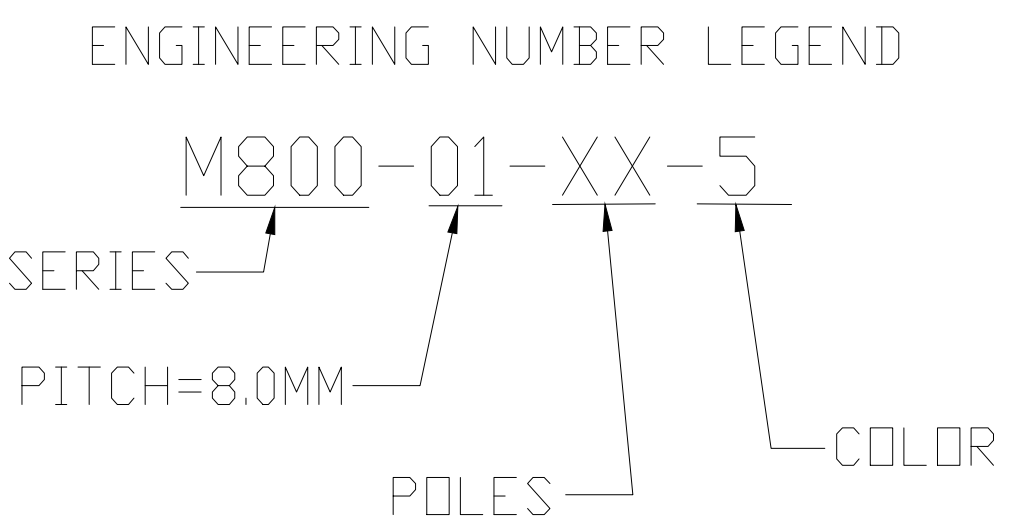
PART NUMBER DATA							
CIRCUITS	PART NUMBER	ENGINEERING NUMBER	COLOR	A IN mm		B IN mm	
2	391001902	M800-01-02-5	WHITE	.53	13.5	.315	8.00
3	391001903	M800-01-03-5	WHITE	.85	21.5	.630	16.00
4	391001904	M800-01-04-5	WHITE	1.16	29.5	.945	24.00
5	391001905	M800-01-05-5	WHITE	1.48	37.5	1.260	32.00
6	391001906	M800-01-06-5	WHITE	1.79	45.5	1.575	40.01
7	391001907	M800-01-07-5	WHITE	2.11	53.5	1.890	48.01
8	391001908	M800-01-08-5	WHITE	2.42	61.5	2.205	56.01
9	391001909	M800-01-09-5	WHITE	2.74	69.5	2.520	64.01
10	391001910	M800-01-10-5	WHITE	3.05	77.5	2.835	72.01
11	391001911	M800-01-11-5	WHITE	3.37	85.5	3.150	80.01
12	391001912	M800-01-12-5	WHITE	3.68	93.5	3.465	88.01



TOLERANCES			
MM	TOL	INCH	TOL
0-6	±0.25	0-.24	±.010
>6-30	±0.40	.24-1.18	±.016
>30-120	±0.50	1.18-4.76	±.020
>120	±0.80	>4.76	±.031

REF. LAST 2 DIGITS OF PART NUMBER EQUAL CIRCUIT COUNT

NOTE: IF THIS PRODUCT IS STORED IN AN ENVIRONMENT WITH A RELATIVE HUMIDITY OF LESS THAN 50%, MOISTURE MUST BE ADDED. REFER TO TECHNICAL ADVISORY AS 45499-001 FOR INSTRUCTIONS.



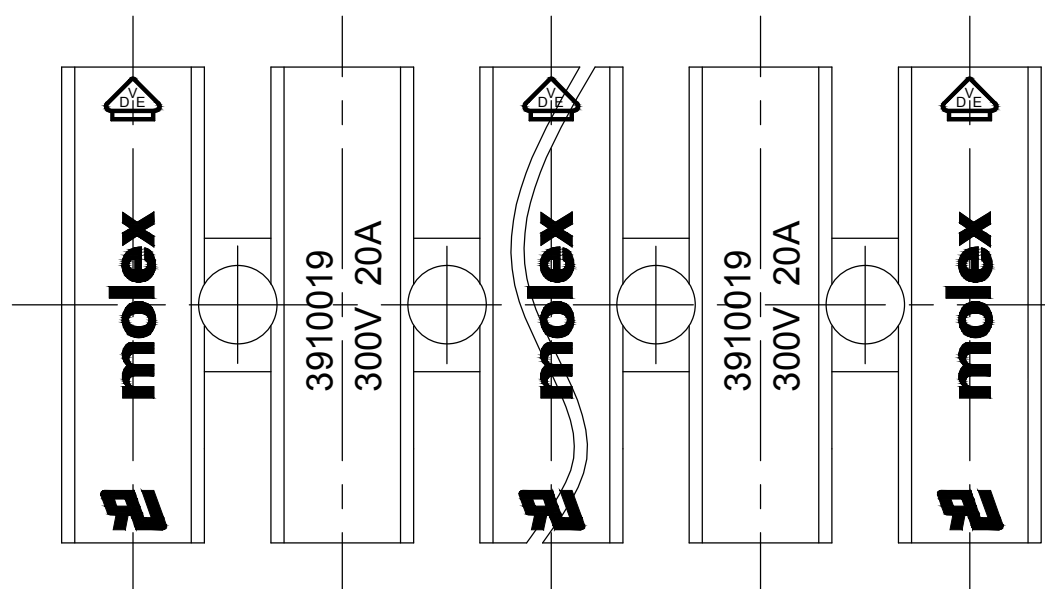
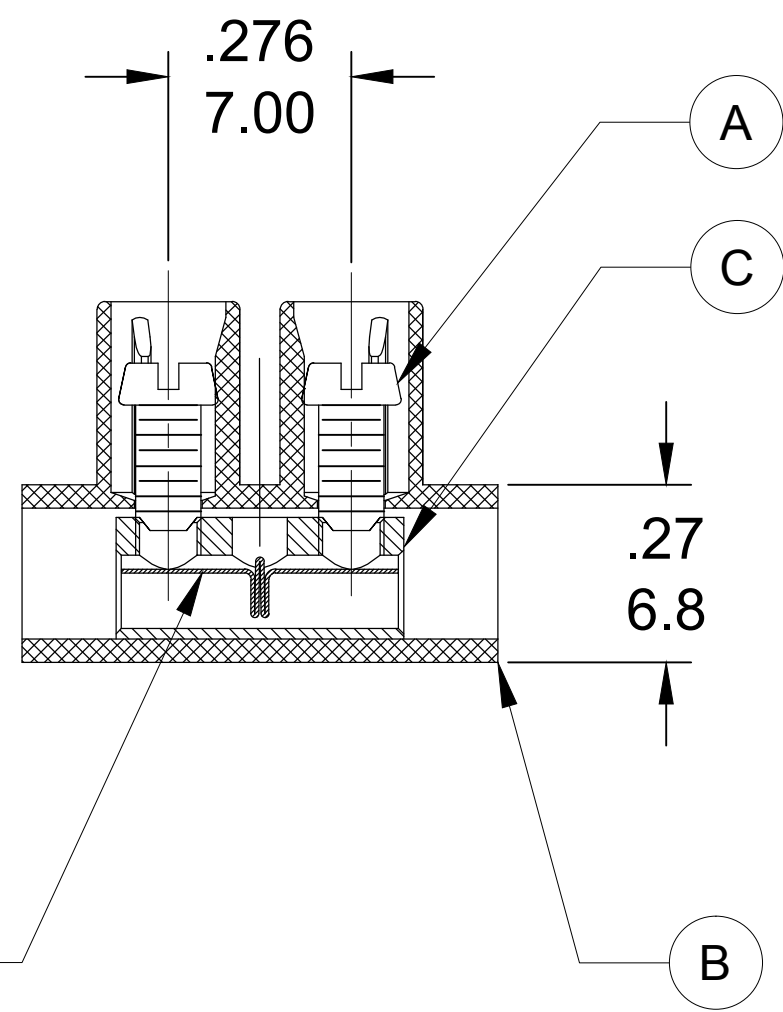
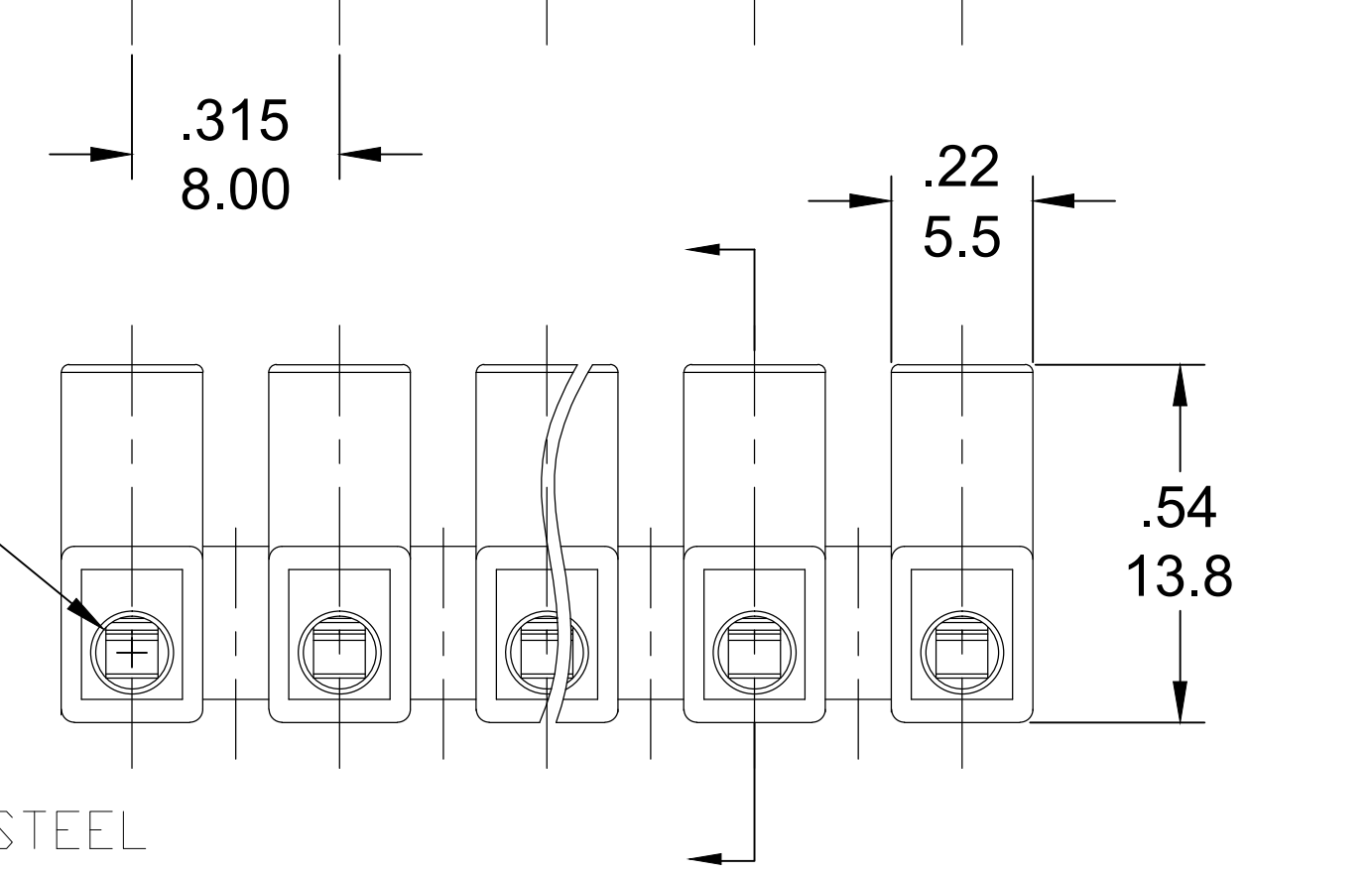
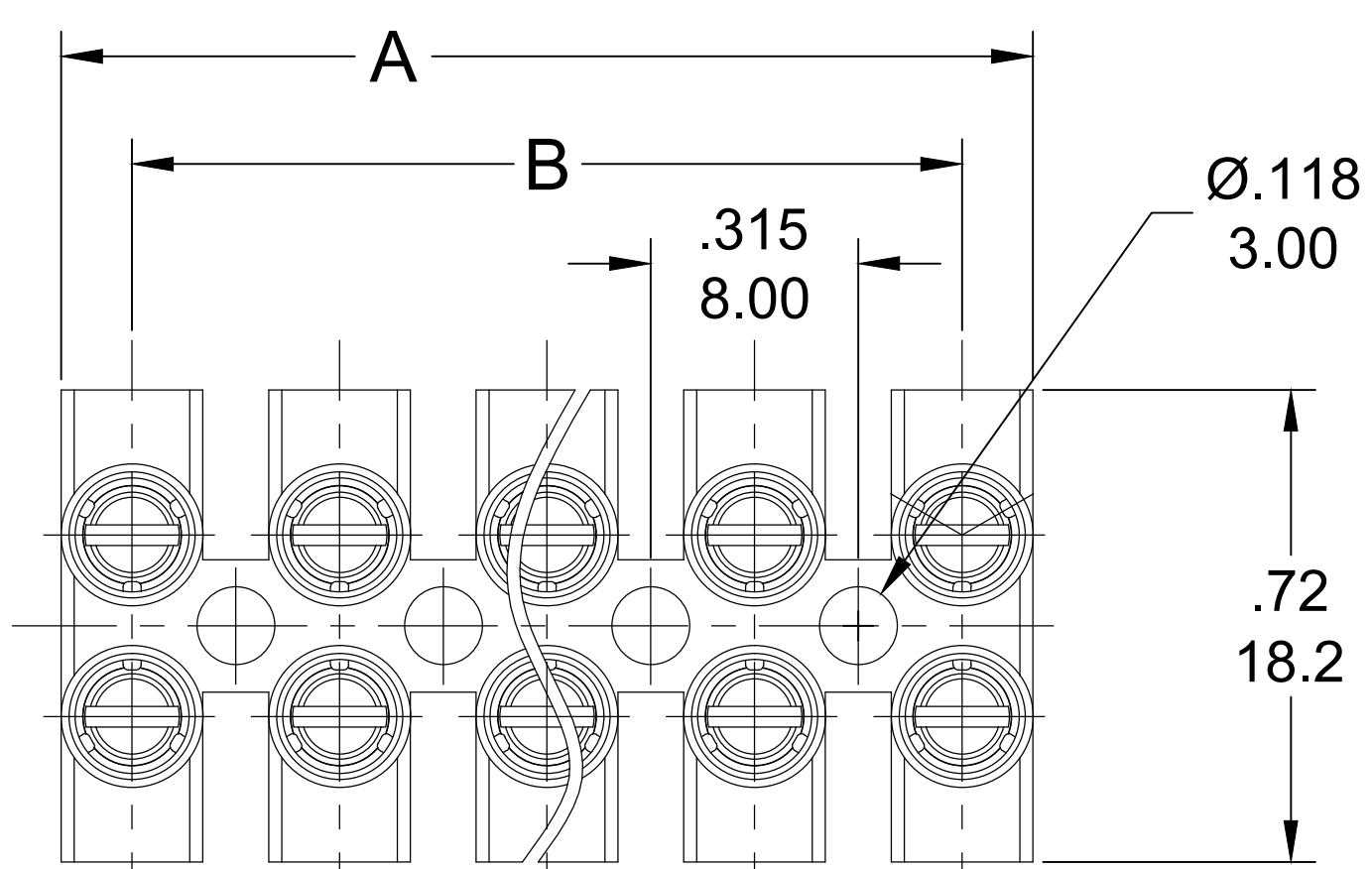
CONTACT FACTORY FOR OPTIONAL COLORS

SPECIFICATIONS:

- Material:
 - (A) Screw: Steel, Zinc plated
 - (B) Body: PA66 UL94 V-0
 - (C) Cage: Brass, Nickel plated
 - (D) Terminal: Stainless Steel
- Rating: 300V, 20amps
- Wire range: 22-12 AWG
- Max torque: 4.4 in lbs.
- Dielectric voltage withstand: DC 3000V for 1 minute.
- Insulation resistance: DC 1000V, 100GΩ
- Rated Impulse Voltage: 4000V, Plus and Minus 5 times each
- Strip Length: .20 in. (5.0mm)
- Operating Temperature: -40° C to +105° C
- Contact Resistance: < 3 mΩ
- All dims. shown are for reference only

REVISED DOC TOL EC NO.: ICG2017-0881 DRWN: ABENJAMI CHKD: --- APPR: BRUPERT 2014/07/21	QUALITY SYMBOL	GENERAL TOLERANCES (UNLESS SPECIFIED)	DIMENSION STYLE IN/MM	SCALE ---	DESIGN UNITS METRIC	THIRD ANGLE PROJECTION
	▽=0 ∇=0	4 PLACES ±--- ±--- 3 PLACES ±--- ±--- 2 PLACES ±--- ±--- 1 PLACE ±--- ±---	mm INCH	DRAWN BY RSTONE DATE 2014/07/08	TITLE TERMINAL STRIP 8.0MM LOW PROFILE 300V	
		ANGULAR ±---°	DRAFT WHERE APPLICABLE MUST REMAIN WITHIN DIMENSIONS	CHECKED BY G FARNSW DATE ---	MOLEX INCORPORATED	
				APPROVED BY JFMURPHY DATE 2014/07/21	DOCUMENT NO. SD-39100-012	SHEET NO. 1 OF 1
C1			SIZE C	THIS DRAWING CONTAINS INFORMATION THAT IS PROPRIETARY TO MOLEX INCORPORATED AND SHOULD NOT BE USED WITHOUT WRITTEN PERMISSION		

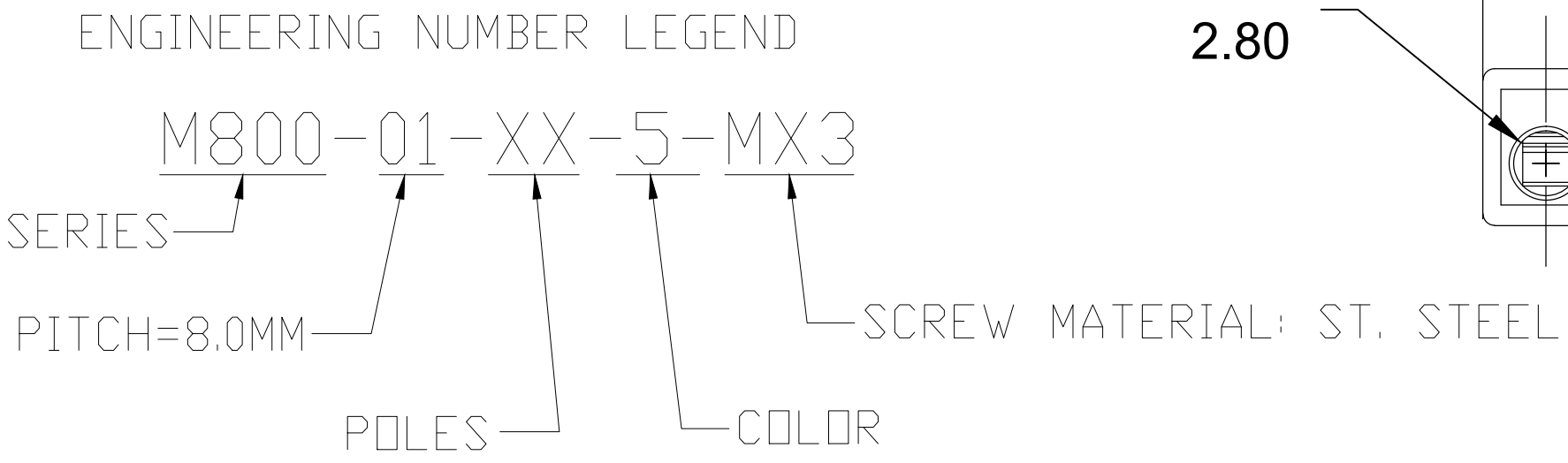
PART NUMBER DATA							
CIRCUITS	PART NUMBER	ENGINEERING NUMBER	COLOR	A IN mm		B IN mm	
2		M800-01-02-5-MX3	WHITE	.53	13.5	.315	8.00
3		M800-01-03-5-MX3	WHITE	.85	21.5	.630	16.00
4		M800-01-04-5-MX3	WHITE	1.16	29.5	.945	24.00
5		M800-01-05-5-MX3	WHITE	1.48	37.5	1.260	32.00
6		M800-01-06-5-MX3	WHITE	1.79	45.5	1.575	40.01
7		M800-01-07-5-MX3	WHITE	2.11	53.5	1.890	48.01
8		M800-01-08-5-MX3	WHITE	2.42	61.5	2.205	56.01
9		M800-01-09-5-MX3	WHITE	2.74	69.5	2.520	64.01
10	391001930	M800-01-10-5-MX3	WHITE	3.05	77.5	2.835	72.01
11		M800-01-11-5-MX3	WHITE	3.37	85.5	3.150	80.01
12		M800-01-12-5-MX3	WHITE	3.68	93.5	3.465	88.01



TOLERANCES			
MM	TOL	INCH	TOL
0-6	±0.25	0-.24	±.010
>6-30	±0.40	.24-1.18	±.016
>30-120	±0.50	1.18-4.76	±.020
>120	±0.80	>4.76	±.031

REF. LAST 2 DIGITS OF PART NUMBER EQUAL CIRCUIT COUNT

NOTE: IF THIS PRODUCT IS STORED IN AN ENVIRONMENT WITH A RELATIVE HUMIDITY OF LESS THAN 50%, MOISTURE MUST BE ADDED. REFER TO TECHNICAL ADVISORY AS 45499-001 FOR INSTRUCTIONS.



CONTACT FACTORY FOR OPTIONAL COLORS

SPECIFICATIONS:

- Material:
 - (A) Screw: Stainless Steel
 - (B) Body: PA66 UL94 V-0
 - (C) Cage: Brass, Nickel plated
 - (D) Terminal: Stainless Steel
- Rating: 300V, 20amps
- Wire range: 22-12 AWG
- Max torque: 4.4 in lbs.
- Dielectric voltage withstand: DC 3000V for 1 minute.
- Insulation resistance: DC 1000V, 100GΩ
- Rated Impulse Voltage: 4000V, Plus and Minus 5 times each
- Strip Length: .20 in. (5.0mm)
- Operating Temperature: -40° C to +105° C
- Contact Resistance: < 3 mΩ
- All dims. shown are for reference only

RPM-T201743340 EC NO: ICG2017-0881 DRWN: ABENJAMI 2017/12/13 CHKD: --- APPR: BRUPERT 2017/12/14	QUALITY SYMBOL	GENERAL TOLERANCES (UNLESS SPECIFIED)	DIMENSION STYLE IN/MM	SCALE ---	DESIGN UNITS METRIC	THIRD ANGLE PROJECTION
	▽=0	4 PLACES ±--- ±---	DRAWN BY RSTONE DATE 2014/07/08	TITLE		
	▽C=0	3 PLACES ±--- ±---	CHECKED BY G FARNSW DATE ---	TERMINAL STRIP 8.0MM LOW PROFILE 300V STAINLESS STEEL SCREWS		
		2 PLACES ±--- ±---	APPROVED BY JFMURPHY DATE 2014/07/21	MOLEX INCORPORATED		
		1 PLACE ±--- ±---	MATERIAL NO. SEE CHART	DOCUMENT NO. SD-39100-019	SHEET NO. 1 OF 1	
		ANGULAR ±---°	THIS DRAWING CONTAINS INFORMATION THAT IS PROPRIETARY TO MOLEX INCORPORATED AND SHOULD NOT BE USED WITHOUT WRITTEN PERMISSION			
		DRAFT WHERE APPLICABLE MUST REMAIN WITHIN DIMENSIONS				