

LEGEND

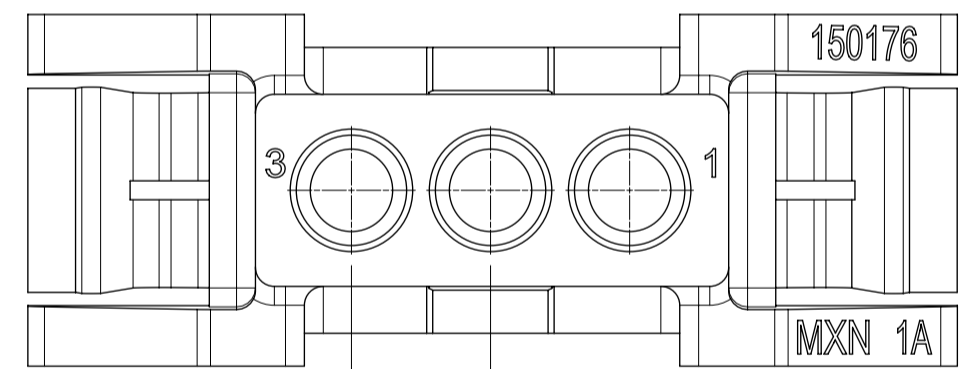
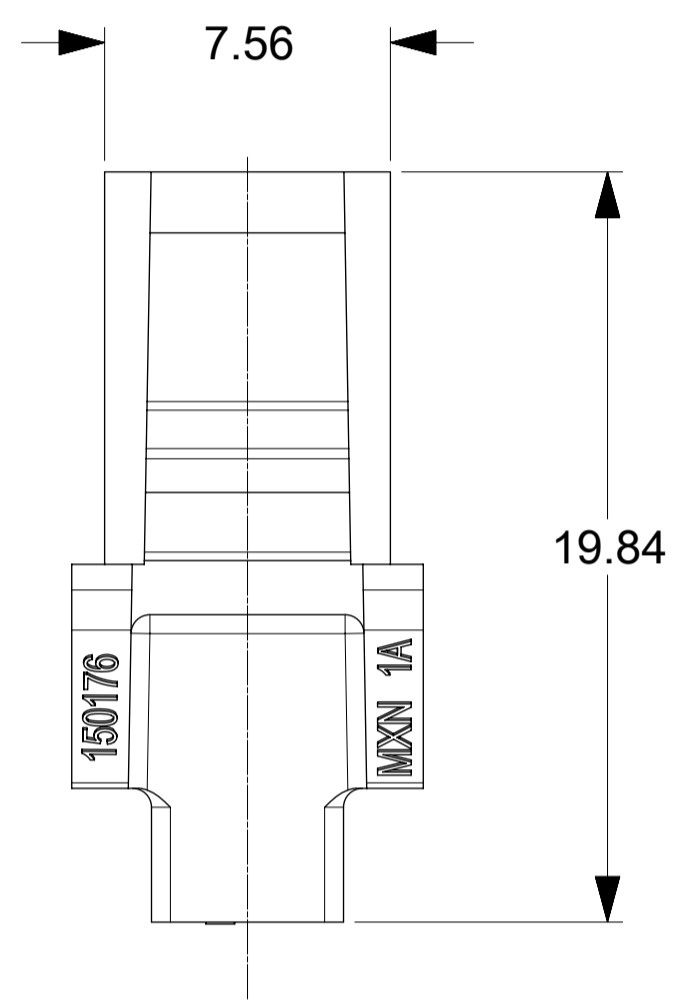
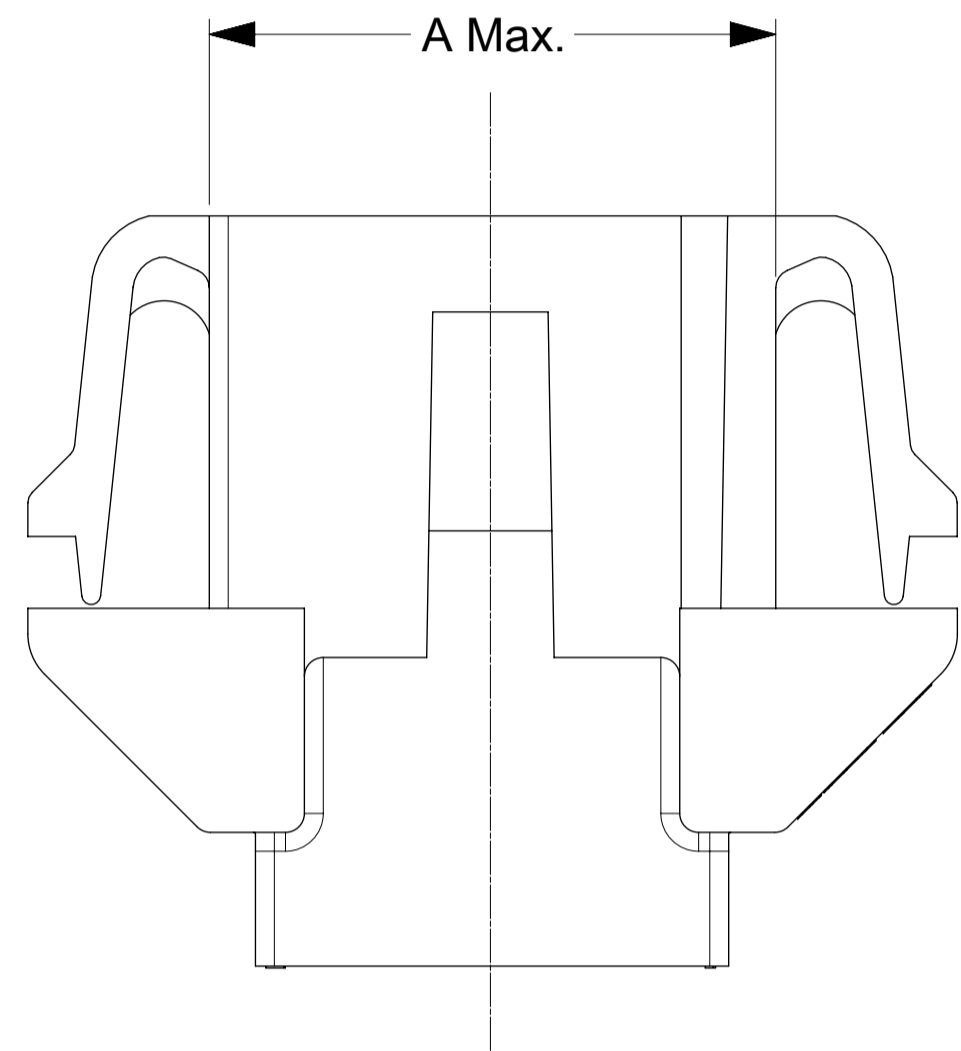
1 5 0 1 7 6 \* \* \* \*

NO. OF ROWS ————

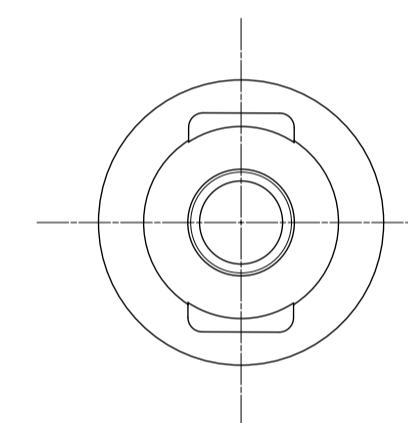
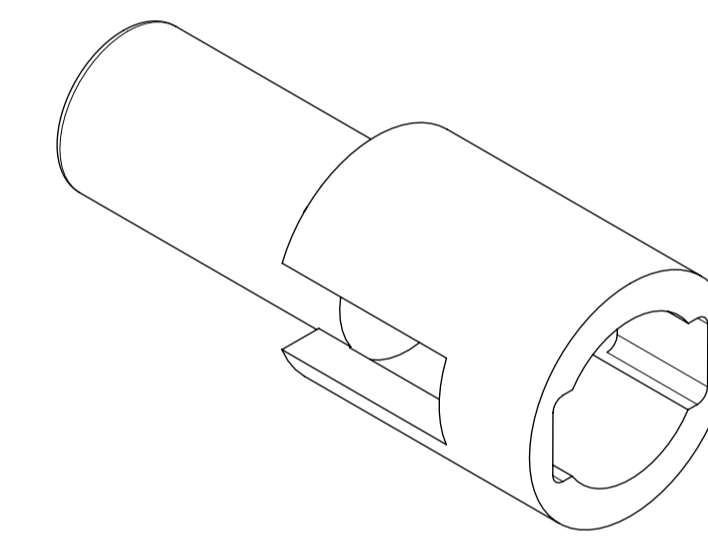
\*\*\*\*\* ————

NO. OF CIRCUIT ————

0= WITH PANEL MOUNT LATCH  
1= WITHOUT PANEL MOUNT LATCH

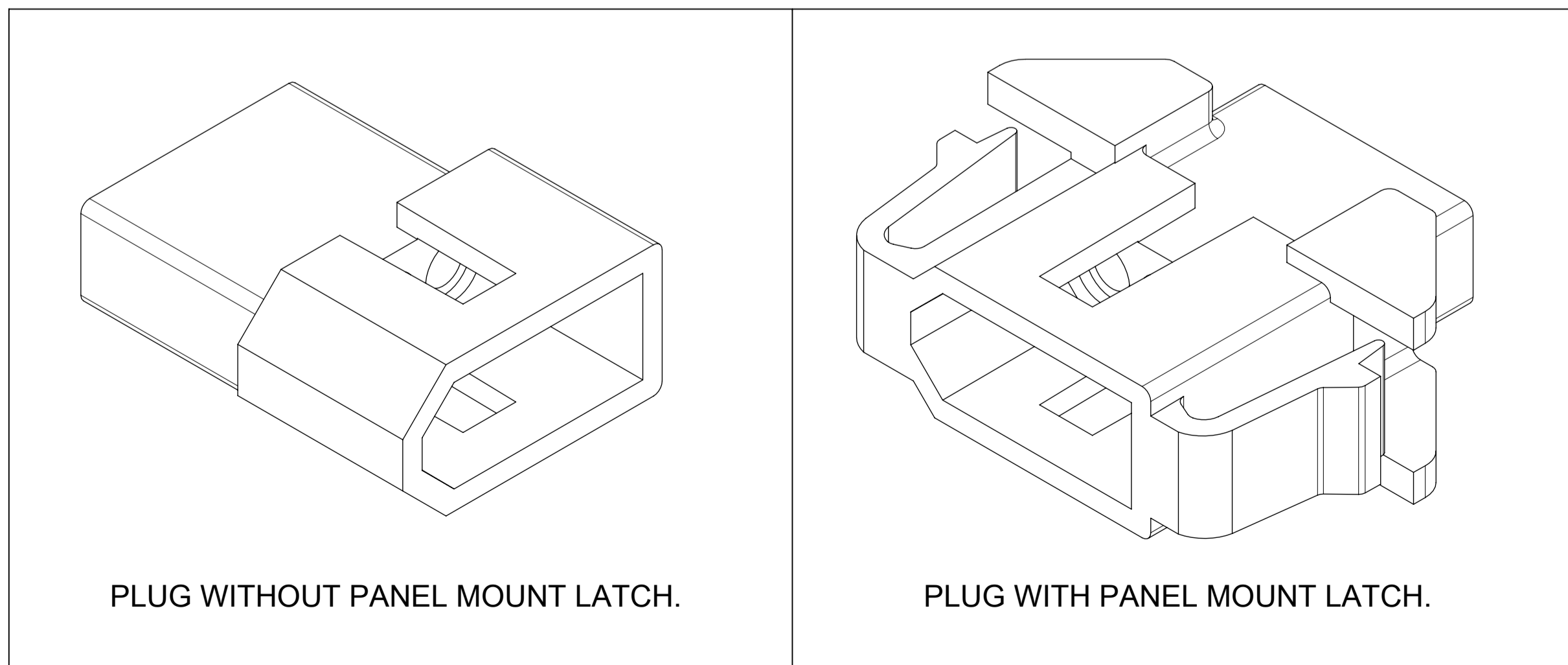


3.68 REF



1CKT PLUG HOUSING

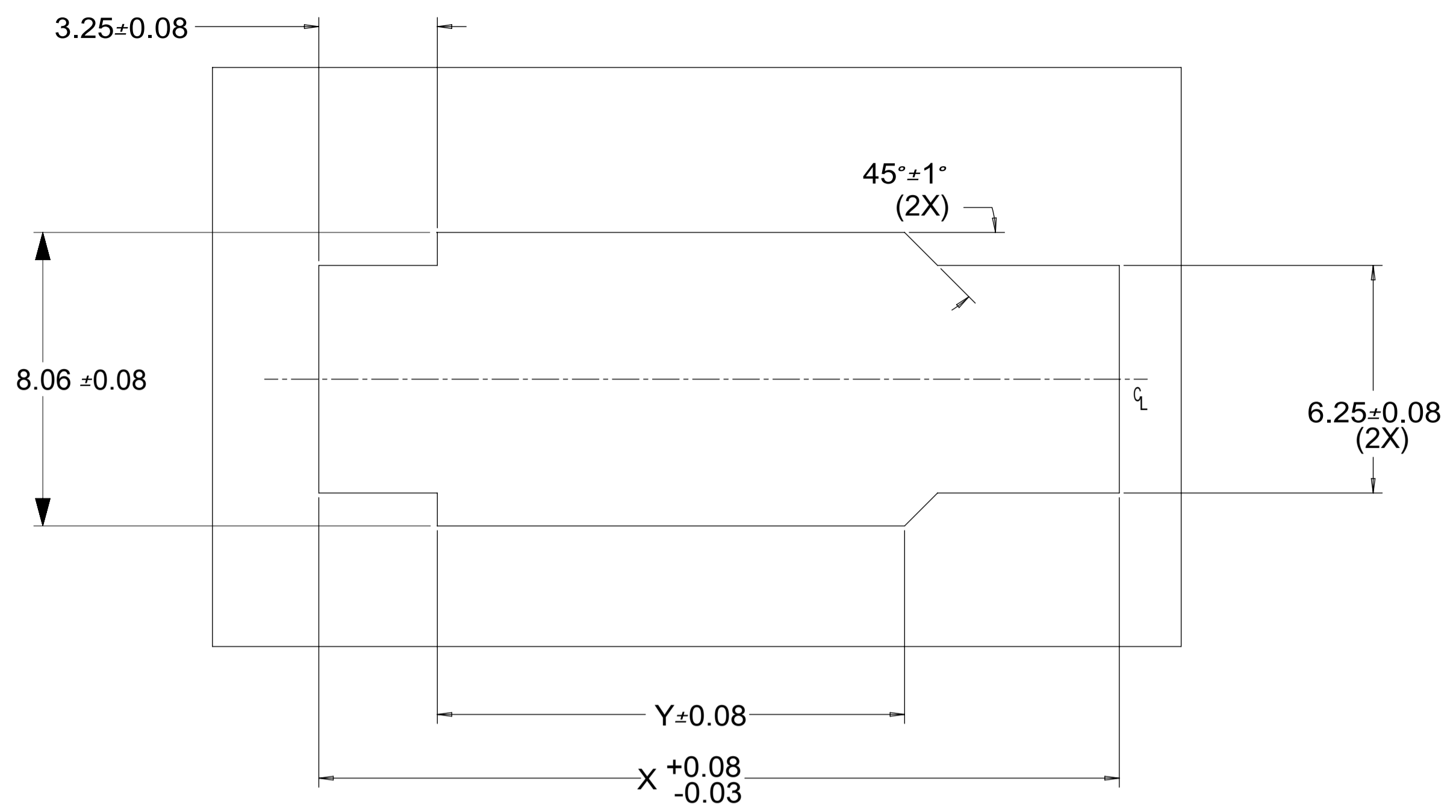
SL NO.	DESCRIPTION	PART NUMBER	DIM A
1	1CKT SINGLE ROW HSG WITHOUT PANEL MOUNT LATCH	1501761011	----
2	2CKT SINGLE ROW HSG WITH PANEL MOUNT LATCH	1501761020	11.40
3	2CKT SINGLE ROW HSG WITHOUT PANEL MOUNT LATCH	1501761021	
4	3CKT SINGLE ROW HSG WITH PANEL MOUNT LATCH	1501761030	15.05
5	3CKT SINGLE ROW HSG WITHOUT PANEL MOUNT LATCH	1501761031	



PLUG WITHOUT PANEL MOUNT LATCH.

PLUG WITH PANEL MOUNT LATCH.

FUNCTIONAL SYMBOLS	THIS DRAWING CONTAINS INFORMATION THAT IS PROPRIETARY TO MOLEX ELECTRONIC TECHNOLOGIES, LLC AND SHOULD NOT BE USED WITHOUT WRITTEN PERMISSION		CURRENT REV DESC: DESCRIPTION UPDATED						
	DIMENSION UNITS	SCALE							
FA = 0		5:1			STANDARD .062"+ PLUG HOUSING SINGLE ROW				
FC = 0	GENERAL TOLERANCES (UNLESS SPECIFIED)								
FP = 0	ANGULAR TOL ± 1.0°				PRODUCT CUSTOMER DRAWING				
DIVISIONAL SYMBOLS	4 PLACES ±	EC NO: 647195	2020/10/09						
	3 PLACES ±	DRWN: PRADEA	2020/10/19						
	2 PLACES ± 0.25	CHK'D: NCSR	2020/10/19						
	1 PLACE ± 0.35	APPR: NCSR							
0 PLACES ±	INITIAL REVISION:		2014/10/08		DOCUMENT NUMBER <b>SD-150176-001</b>				
DRAFT WHERE APPLICABLE MUST REMAIN WITHIN DIMENSIONS		THIRD ANGLE PROJECTION	DRAWING	SERIES	MATERIAL NUMBER	CUSTOMER	DOC TYPE	DOC PART	REVISION
			A1-SIZE	150176	SEE TABLE	GENERAL MARKET	PSD	000	B1



RECOMMENDED PANEL CUT-OUT DIMENSION;  
PANEL THICKNESS-1.50MM Max.

SL NO.	DESCRIPTION	PART NUMBER	DIM X	DIM Y
1	2CKT SINGLE ROW HSG WITH PANEL MOUNT LATCH	1501761020	18.28	9.15
2	3CKT SINGLE ROW HSG WITH PANEL MOUNT LATCH	1501761030	21.98	12.83

NOTES:

- 1) MATERIAL : NYLON 66, 94V-2. COLOR- NATURAL
- 2) PRODUCT SPECIFICATION: 1501760001-PS
- 3) PACKAGING SPECS: PK-150176-001
- 4) THIS PART CONFORMS TO CLASS B REQUIREMENTS OF COSMETIC SPEC PS-45499-002.
- 5) THIS PARTS CONFORMS THE NYLON MOISTURIZATION REQUIREMENT AS PER AS-45499-001.
- 6) PARTS ACCEPT TERMINAL SERIES NUMBER 150180
- 7) PARTS MATES WITH SERIES NUMBER 150178.

FUNCTIONAL SYMBOLS $\frac{F}{A} = 0$ $\frac{F}{C} = 0$ $\frac{F}{P} = 0$ DIVISIONAL SYMBOLS	THIS DRAWING CONTAINS INFORMATION THAT IS PROPRIETARY TO MOLEX ELECTRONIC TECHNOLOGIES, LLC AND SHOULD NOT BE USED WITHOUT WRITTEN PERMISSION DIMENSION UNITS:      SCALE: <b>5:1</b>	CURRENT REV DESC: DESCRIPTION UPDATED						
	GENERAL TOLERANCES (UNLESS SPECIFIED) ANGULAR TOL ± 1.0° 4 PLACES ± 3 PLACES ± 2 PLACES ± 0.25 1 PLACE ± 0.35 0 PLACES ±	EC NO: 647195 DRWN: PRADEA 2020/10/09 CHKD: NCSR 2020/10/19 APPR: NCSR 2020/10/19				STANDARD .062"± PLUG HOUSING SINGLE ROW		
DRAFT WHERE APPLICABLE MUST REMAIN WITHIN DIMENSIONS			THIRD ANGLE PROJECTION	DRAWING: <b>A1-SIZE</b>	SERIES: <b>150176</b>	MATERIAL NUMBER: <b>SEE TABLE</b>	CUSTOMER: <b>GENERAL MARKET</b>	SHEET NUMBER: <b>2 OF 2</b>
DOCUMENT STATUS: P1    RELEASE DATE: 2020/10/19 14:19:12		PRODUCT CUSTOMER DRAWING			DOCUMENT NUMBER: <b>SD-150176-001</b>	DOC TYPE: <b>PSD</b>	DOC PART: <b>000</b>	REVISION: <b>B1</b>