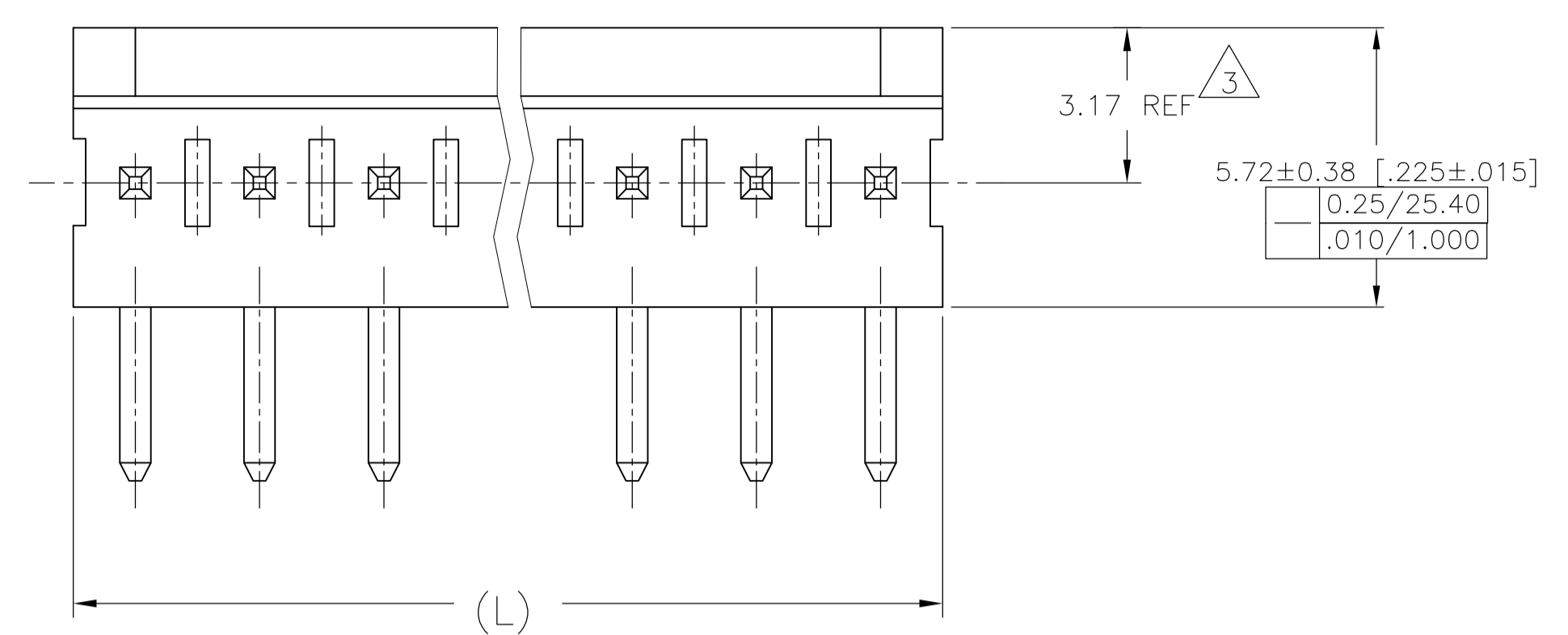
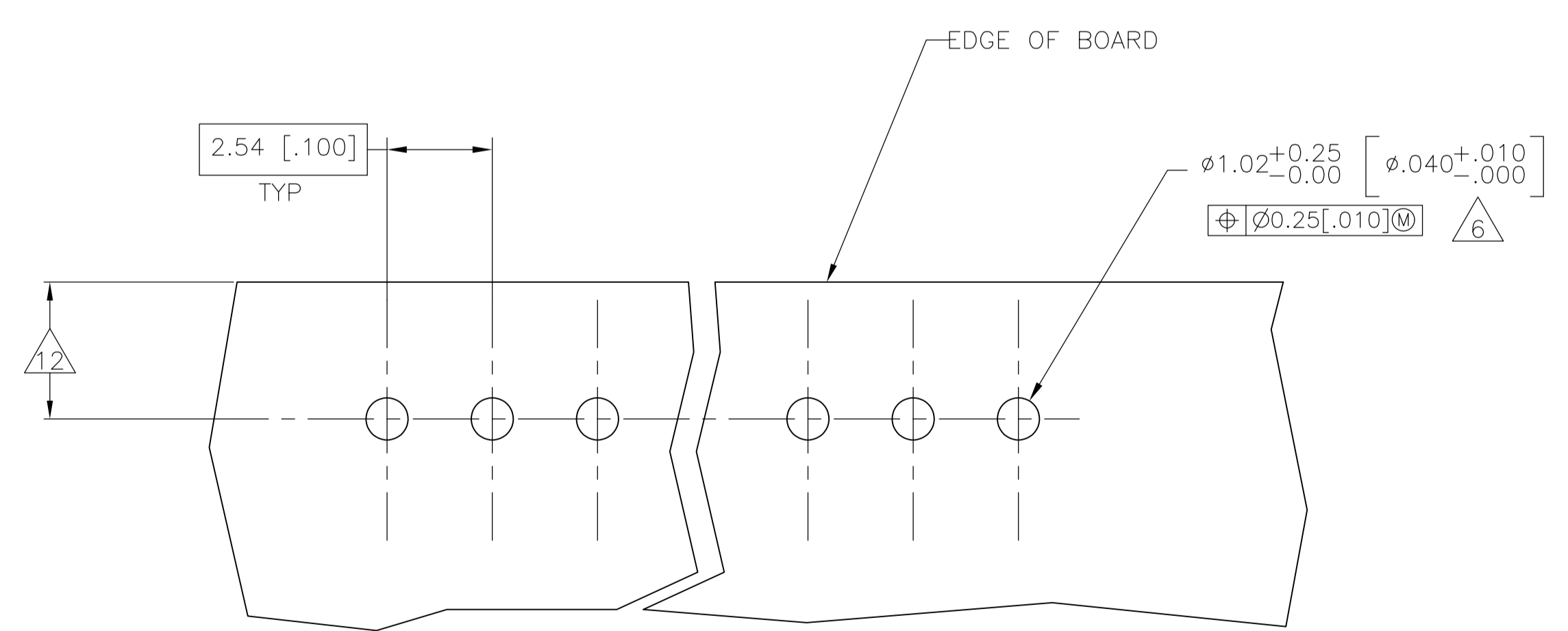
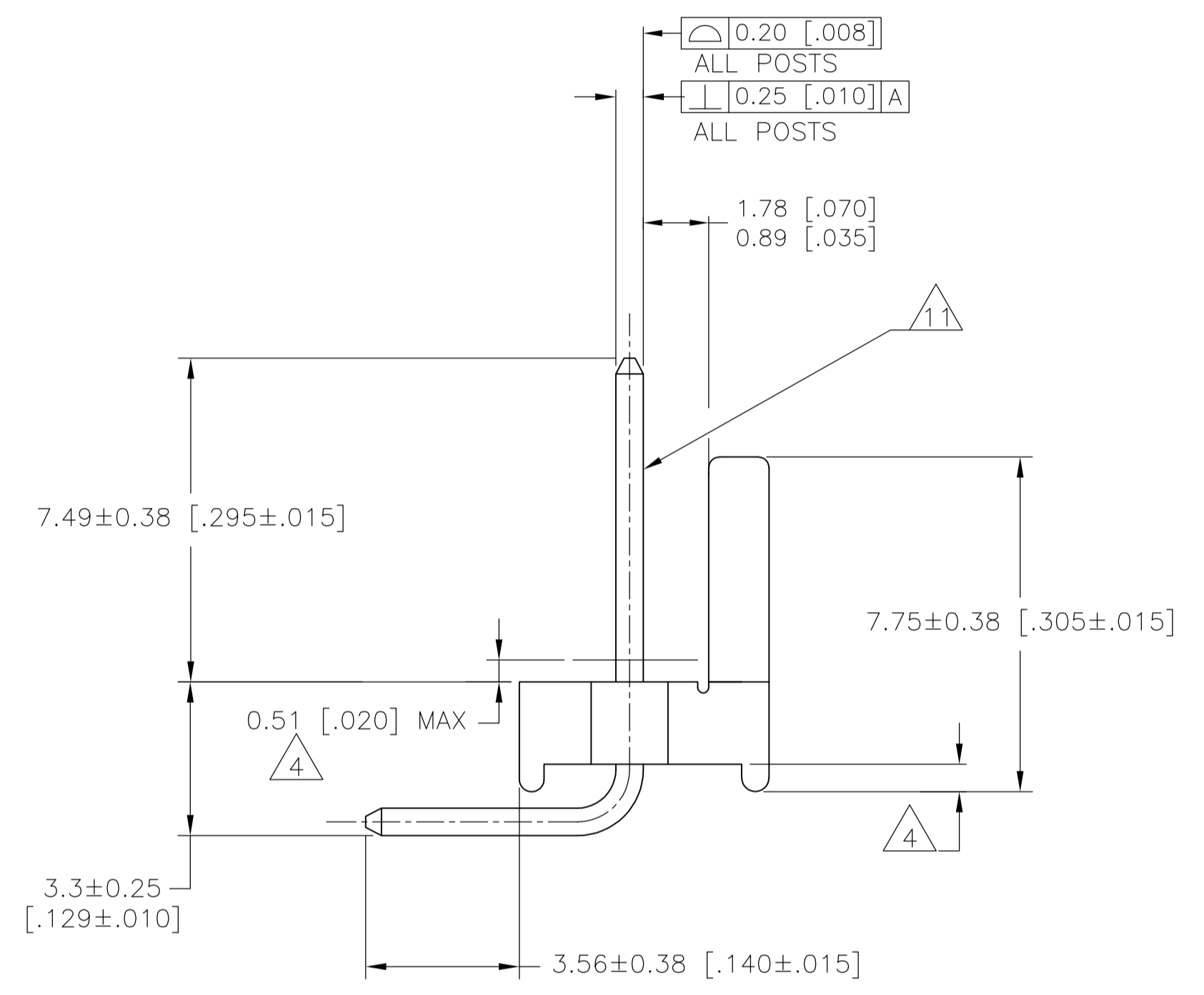
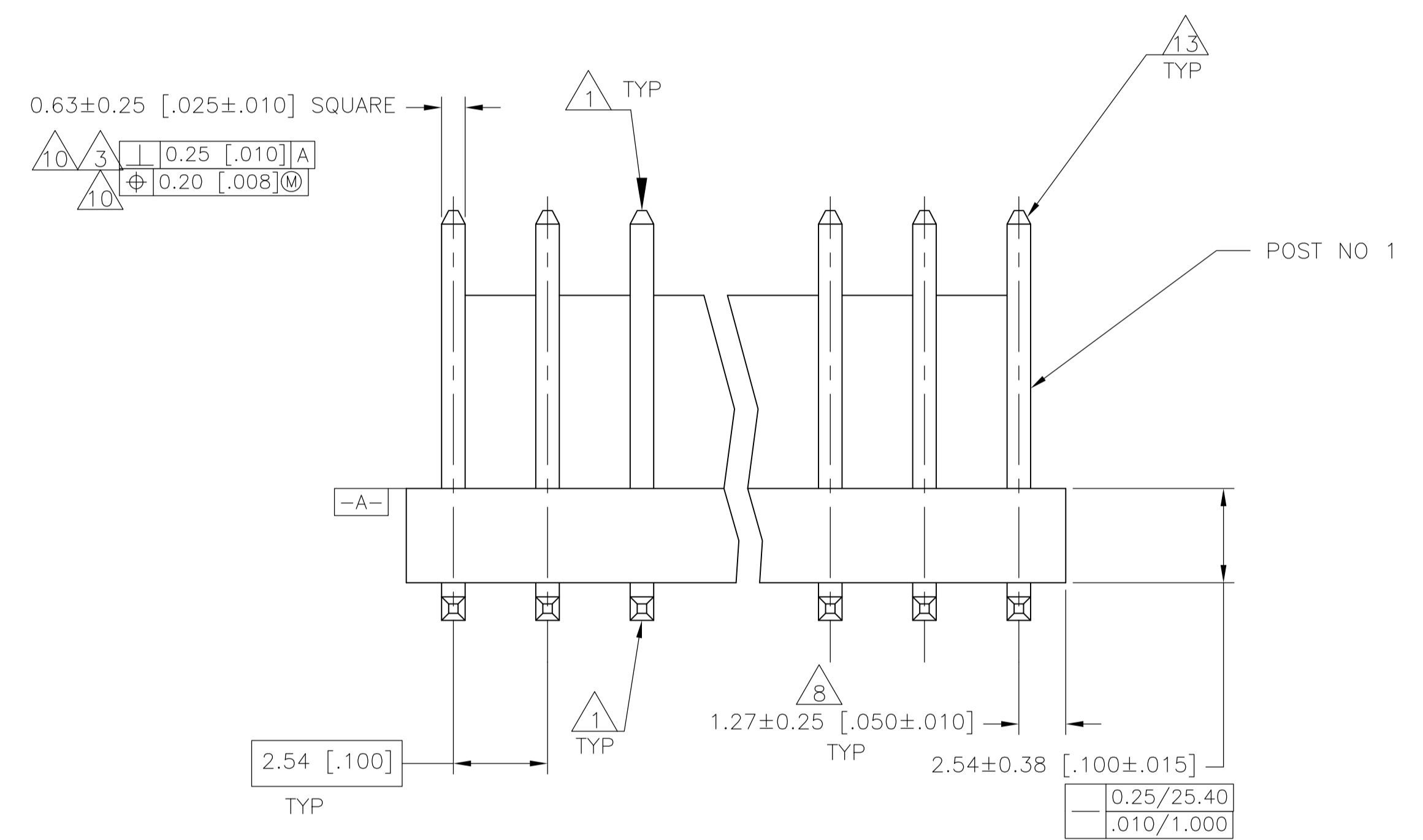


| REVISIONS |             |               |           |       |
|-----------|-------------|---------------|-----------|-------|
| P         | LTR         | DESCRIPTION   | DATE      | APP'D |
| Y3        | REVISED PER | ECR-15-014064 | 03MAR2016 | NK NL |



- 1 POST TO WITHSTAND 13 NEWTONS [3 LBS.] MIN. AXIAL FORCE IN BOTH DIRECTIONS SHOWN WITHOUT DISLODGING.
- 2 TOLERANCES APPLY TO SOLDER SIDE OF BOARD.
- 3 MEASURED AT SURFACE  $\overline{-A-}$
- 4 PLASTIC FLASH PERMITTED IN THIS AREA.
- 5 PARTS COMPLY WITH SOLDERABILITY SPEC. 109-11-2
- 6 ONE HOLE MAY BE UNDERSIZED 0.81-0.89 [.032-.035] DIA. FOR ASSEMBLY RETENTION DURING WAVE SOLDERING.
- 7 MATERIAL: HEADER-THERMOPLASTIC POLYESTER  
94V-0(NATURAL)  
POST-COPPER ALLOY (TIN PLATED)
- 8 COORDINATE DIMENSION APPLIES FROM CENTER OF ACTUAL FEATURE.
- 9 PLASTIC BURRS CAUSED BY CUT-OFF TOOLING ARE PERMITTED WITHIN THE MAXIMUM TOLERANCE ENVELOPE.
- 10 POSTS TO BE MEASURED WHEN STRIP IS HELD FLAT.
- 11 POSTS MUST WITHSTAND TWO 90° BENDS AGAINST EXTRUSION WITHOUT BREAKING.
- 12 DIMENSION SHOULD BE 2.79-4.06 [.110-.160] WHEN MATING WITH A MTA 100 CONNECTOR ASSEMBLY OR 2.79-3.05 [.110-.120] WHEN MATING WITH A CST 100 CONNECTOR.
- 13 PIN BURR OF 0.13 [.005] MAX. VERTICAL AND 0.08 [.003] MAX. HORIZONTAL PERMITTED AT POST TIPS ON BOTH ENDS.



RECOMMENDED MOUNTING HOLE PATTERN FOR 1.60 [.063] THICK P.C. BOARD

|       |       |                 |             |
|-------|-------|-----------------|-------------|
| 71.12 | 2.800 | 28              | 2-640455-8  |
| 68.58 | 2.700 | 27              | 2-640455-7  |
| 66.04 | 2.600 | 26              | 2-640455-6  |
| 63.50 | 2.500 | 25              | 2-640455-5  |
| 60.96 | 2.400 | 24              | 2-640455-4  |
| 58.42 | 2.300 | 23              | 2-640455-3  |
| 55.88 | 2.200 | 22              | 2-640455-2  |
| 53.34 | 2.100 | 21              | 2-640455-1  |
| 50.80 | 2.000 | 20              | 2-640455-0  |
| 48.26 | 1.900 | 19              | 1-640455-9  |
| 45.72 | 1.800 | 18              | 1-640455-8  |
| 43.18 | 1.700 | 17              | 1-640455-7  |
| 40.64 | 1.600 | 16              | 1-640455-6  |
| 38.10 | 1.500 | 15              | 1-640455-5  |
| 35.56 | 1.400 | 14              | 1-640455-4  |
| 33.02 | 1.300 | 13              | 1-640455-3  |
| 30.48 | 1.200 | 12              | 1-640455-2  |
| 27.94 | 1.100 | 11              | 1-640455-1  |
| 25.40 | 1.000 | 10              | 1-640455-0  |
| 22.86 | .900  | 9               | 640455-9    |
| 20.32 | .800  | 8               | 640455-8    |
| 17.78 | .700  | 7               | 640455-7    |
| 15.24 | .600  | 6               | 640455-6    |
| 12.70 | .500  | 5               | 640455-5    |
| 10.16 | .400  | 4               | 640455-4    |
| 7.62  | .300  | 3               | 640455-3    |
| 5.08  | .200  | 2               | 640455-2    |
| MM    | [IN]  |                 |             |
| L     |       | NO OF POSITIONS | PART NUMBER |

THIS DRAWING IS A CONTROLLED DOCUMENT.

|                         |  |                         |                               |                  |
|-------------------------|--|-------------------------|-------------------------------|------------------|
| DIMENSIONS: mm [INCHES] | TOLERANCES UNLESS OTHERWISE SPECIFIED: | DIN S. HAMM 22-OCT-2001 | APPROVED D. ROSSI 22-OCT-2001 | NAME             |
| 0 PLC ± -               | 1 PLC ± -                              | 2 PLC ± -               | 3 PLC ± 0.13 [.005]           | APPLICATION SPEC |
| 4 PLC ± -               | ANGLES ± 0°30'                         | WEIGHT                  | SIZE                          | CAGE CODE        |
| MATERIAL                | FINISH                                 | WEIGHT                  | SIZE                          | CAGE CODE        |

STE TE Connectivity

MTA-100 HDR ASSY, POLARIZED, NOTCHED, .025 SQUARE RIGHT ANGLE POST, TIN PLATED

00779 640455

CUSTOMER DRAWING SCALE 8:1 SHEET 1 OF 1 REV Y3