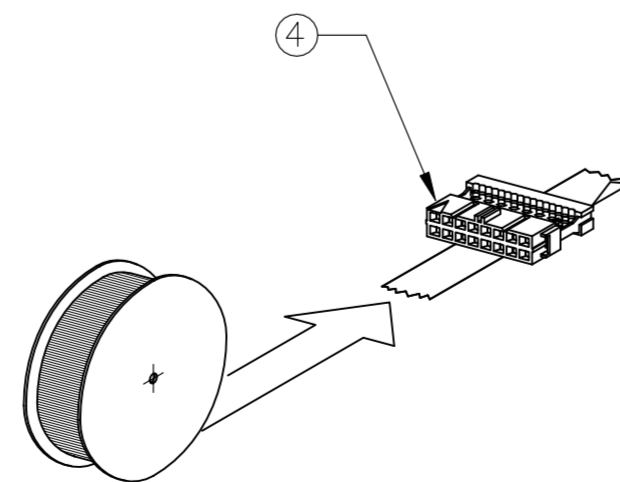
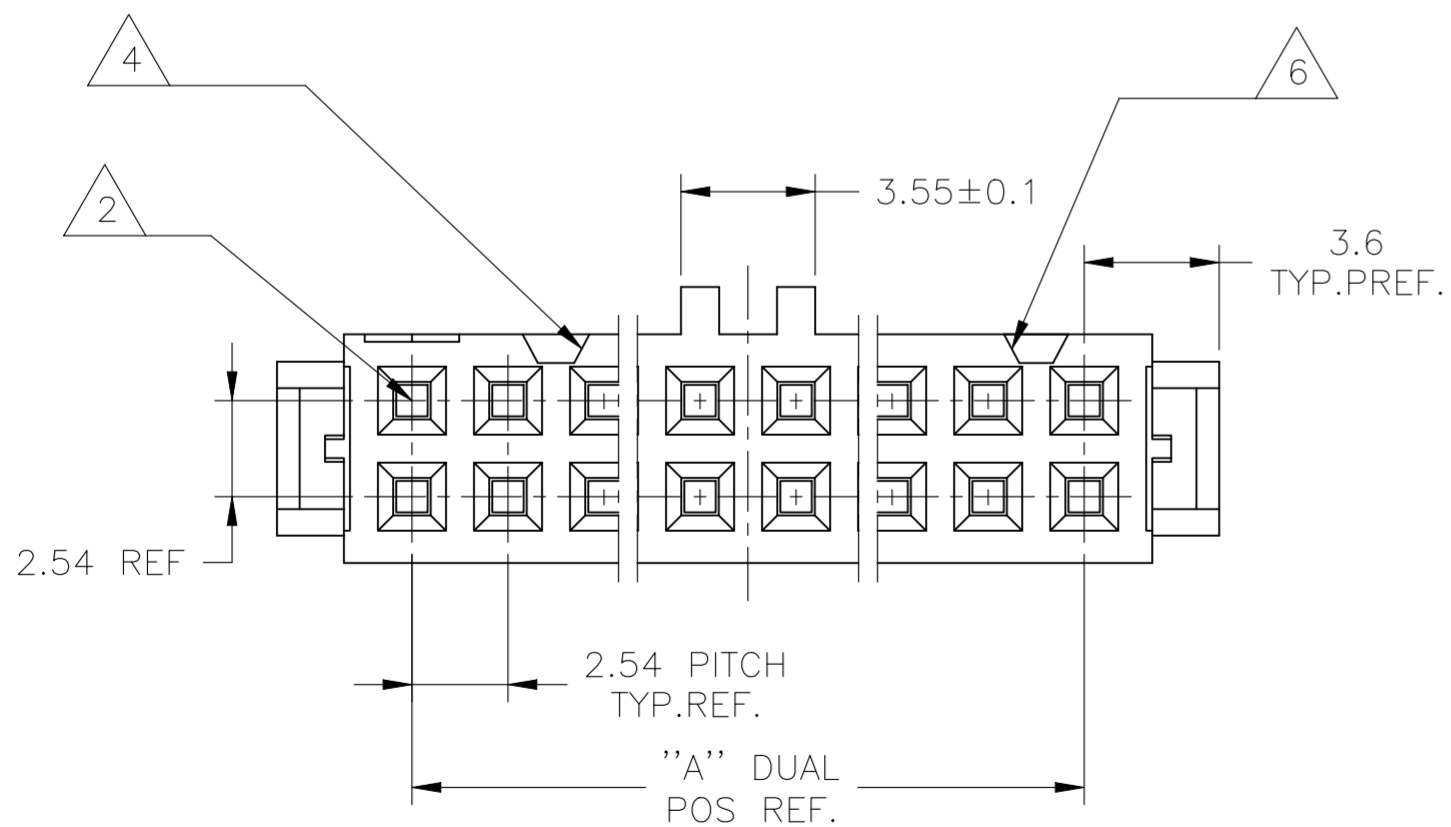
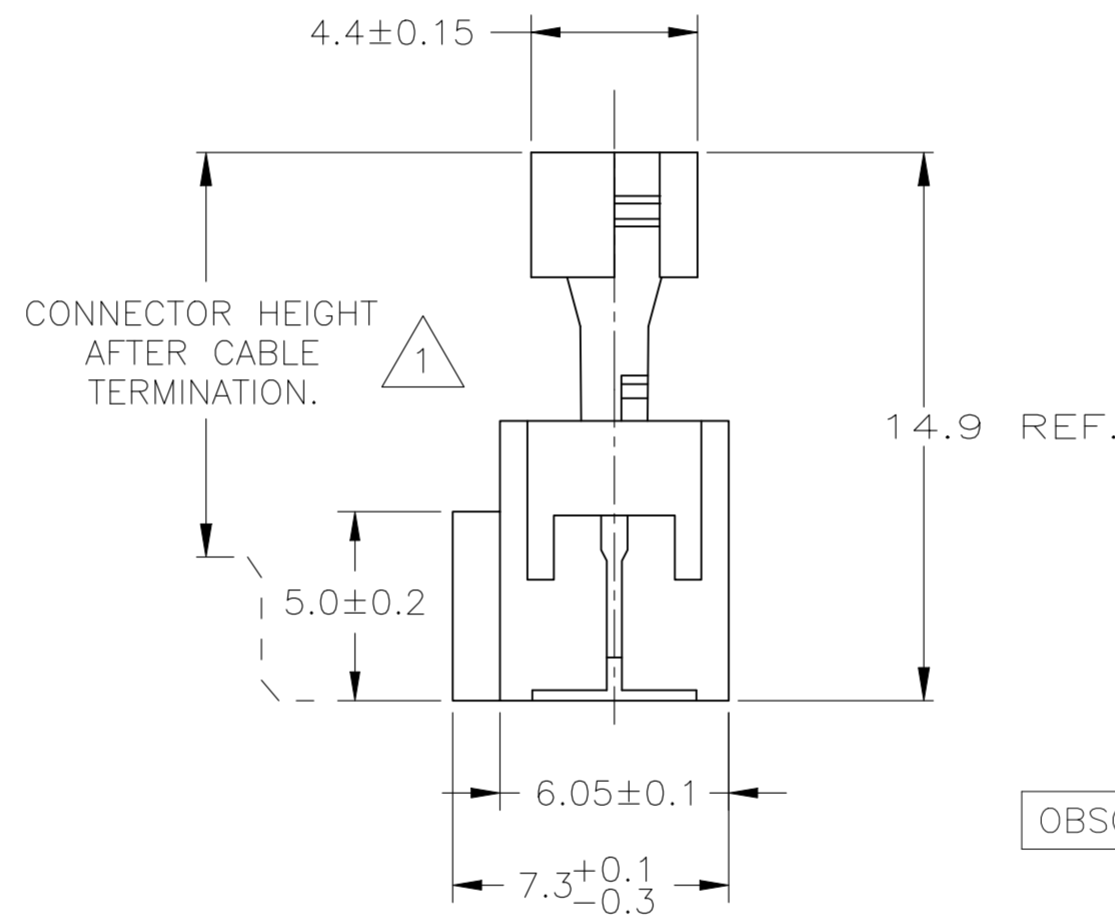
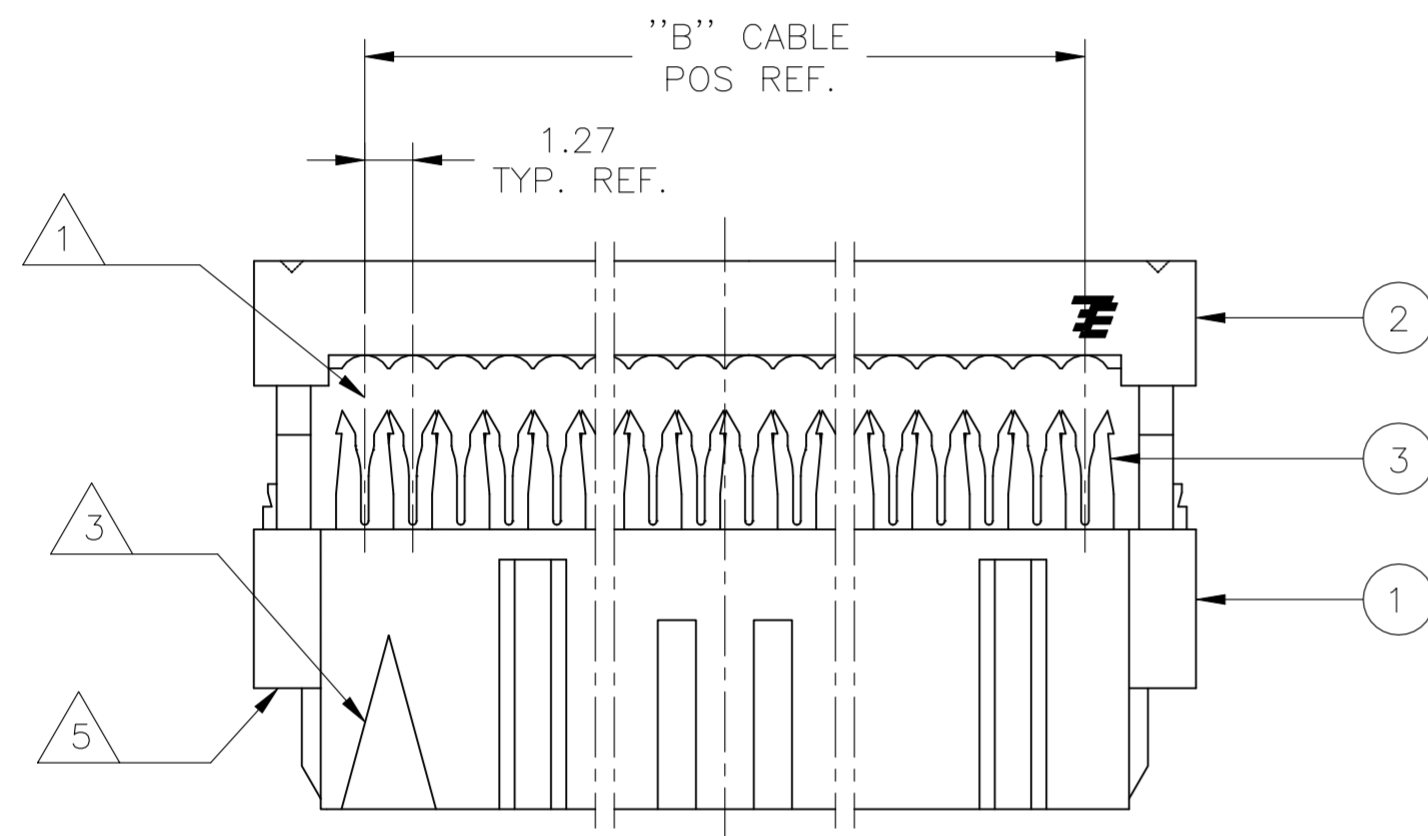
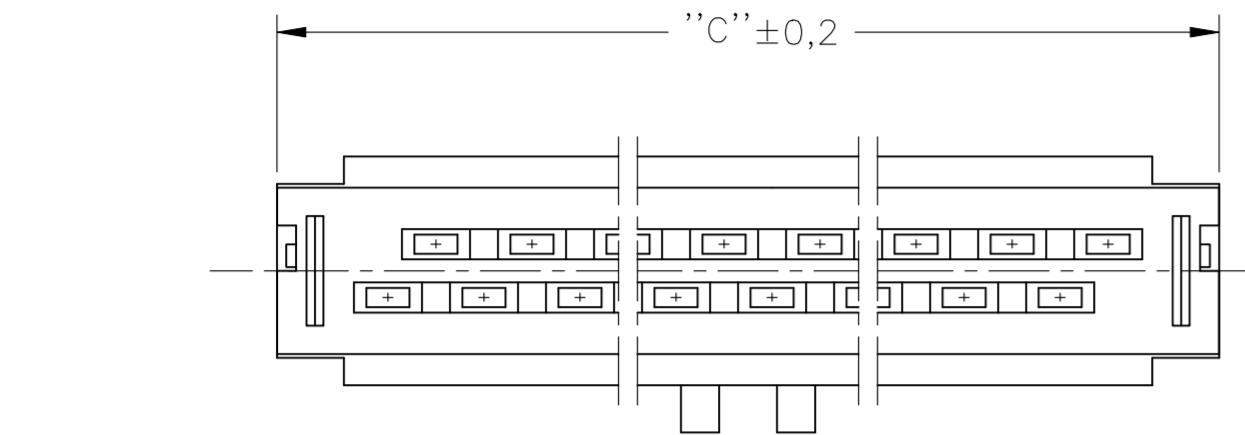


REVISIONS					
P	LTR	DESCRIPTION	DATE	DWN	APVD
F1		REVISED PER ECR-21-115231	07JUN2023	GC	WH

- 1 CONNECTOR IS DESIGNED FOR FLAT RIBBON CABLE ON 1.27 CENTERS. FOR CABLE REQUIREMENTS SEE TE APPLICATION SPECIFICATION 114-19022.
- 2 THESE RECEPTACLE CONNECTORS MATE WITH 0.64±0.05mm SQUARE OR ROUND POSTS ON 2.54mm GRID.
- 3 MARK INDICATING FIRST CABLE POSITION REFERRING TO CONTACT POSITION.
- 4 THERE IS NO POLARIZATION-SLOT AT THIS END IN 6, 10 AND 14 POS CONNECTORS.
- 5 THESE CONNECTORS CAN BE USED IN CONJUNCTION WITH STRAIN-RELIEF COVERS OF PARTNR: 100103.
- 6 THERE IS NO POLARIZATION-SLOT AT THIS END IN 6 POS CONNECTORS.
- 7 PRODUCT SPECIFICATION 108-19033.



COMPONENT NAME	MATERIAL	PLATING / COLOUR
3 RECEPTACLE CONTACT	PHOSPHORBRONZE Cu Sn6	AT CONTACT-PLACE: 0,8µ GOLD AT WIRING END: 2,5µ TIN ENTIRE UNDERCOATING: 1,27µ NICKEL
2 COVER	THERMOPLASTIC POLYESTER GF UL 94 -V0	BLACK BK015 ONLY FOR REF.
1 HOUSING		

QUANTITY PER REEL	DIM."C"	"B" CABLE POS.	"A" DUAL POS.	PARTNUMBER 4	PART REV.
500	85,9	64	32	6-215915-4	D
500	80,8	60	30	6-215915-0	D
500	68,1	50	25	5-215915-0	D
OBSOLETE	1500	60,5	44	4-215915-4	D
750	55,4	40	20	4-215915-0	D
OBSOLETE	1500	47,8	34	3-215915-4	D
1500	42,7	30	15	3-215915-0	D
1500	37,6	26	13	2-215915-6	D
1500	30,0	20	10	2-215915-0	D
1500	24,9	16	8	1-215915-6	D
1500	22,4	14	7	1-215915-4	D
1500	17,3	10	5	1-215915-0	D
OBSOLETE	1500	14,8	8	0-215915-8	B
1500	12,2	6	3	0-215915-6	D
OBSOLETE	1500	9,7	4	0-215915-4	B

THIS DRAWING IS A CONTROLLED DOCUMENT.

DWN R.HOGEVEEN 02-02-88		AMP-LATCH MIL-TYPE RECEPT. CONN. ASS'Y 14,9 PRE-ASSEMBLED 0.8µm SELECTIVE GOLDPLATE 4		
CHK R.VERSTIJNEN 03-02-88		SIZE A2	CAGE CODE 00779	DRAWING NO C=215915
APVD L.V.SOEST 03-02-88		WEIGHT 0.000000	SCALE 5:1	SHEET 1 OF 1
PRODUCT SPEC		CUSTOMER DRAWING		REV F1

RESTRICTED TO