

**SPECIFICATIONS:**

**MATERIALS:**

SHELL: NICKEL PLATED STEEL  
 INSULATOR: PA6T, UL94 V-0  
 PROCESS TEMP: 260°C  
 CONTACTS: GOLD PLATED BRASS (FLOATING CONTACTS)

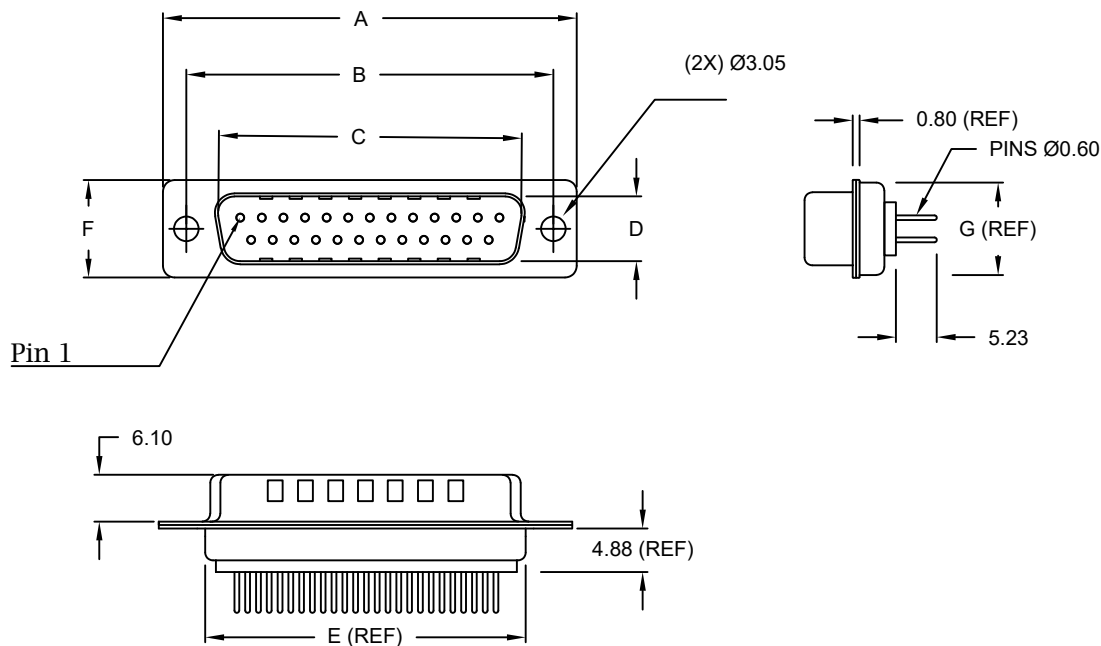
**ELECTRICAL:**

RATED CURRENT: 5A  
 VOLTAGE: 500VAC FOR 1 MINUTE  
 INSULATION RESISTANCE: 1000 MOhms MIN.  
 CONTACT RESISTANCE: 15 mOhms MAX.

**ENVIRONMENT:**

OPERATING TEMPERATURE: -50°C TO +100°C

DIMENSIONS(mm)							
SIZE	A±.36	B±.10	C±.15	D±.15	E±.38	F±.25	G (REF)
9	30.80	24.99	17.00	8.40	19.20	12.60	10.75
15	39.15	33.32	25.30	8.40	27.70	12.60	10.75
25	53.04	47.04	39.00	8.40	41.10	12.60	10.75
37	69.32	63.50	55.40	8.40	57.30	12.60	10.75
50	66.93	61.11	52.80	11.10	55.10	15.20	13.30



**172-YYY-113RYY1**

SERIES \_\_\_\_\_  
 POSITIONS \_\_\_\_\_  
 009  
 015  
 025  
 037  
 050  
 GENDER \_\_\_\_\_  
 1 = MALE  
 TERMINATION \_\_\_\_\_  
 1 = DIP SOLDER  
 SHELL PLATING \_\_\_\_\_  
 3 = NICKEL (GROUND INDENTS)  
 HARDWARE OPTIONS \_\_\_\_\_  
 00 = NO HARDWARE  
 01 = .098" NUT (PCB SIDE)  
 02 = .236" NUT (PCB SIDE)  
 03 = .236" NUT (MATING SIDE)  
 05 = .237" 4-40 BOARD LOCK  
 90 = .237" 4-40 BOARD LOCK  
 FOR 0.093" BOARD MAX.  
 91 = .237" 4-40 SPACER/ BOARD LOCK  
 92 = .237" 4-40 SPACER/ BOARD LOCK  
 FOR 0.093" BOARD MAX.  
 PLATING OPTIONS \_\_\_\_\_  
 1 = GOLD FLASH  
 2 = 30MICRO-INCH GOLD

RoHS COMPLIANT

UNITS = mm

DO NOT SCALE FROM DRAWING



THESE DRAWINGS AND SPECIFICATIONS ARE THE PROPERTY OF NorComp AND SHALL NOT BE REPRODUCED, COPIED OR USED AS THE BASIS FOR THE MANUFACTURE OR SALE OF APPARATUS WITHOUT WRITTEN PERMISSION.

DRAWN:  
P. JENKINS

DATE:  
09/12/2005

NorComp

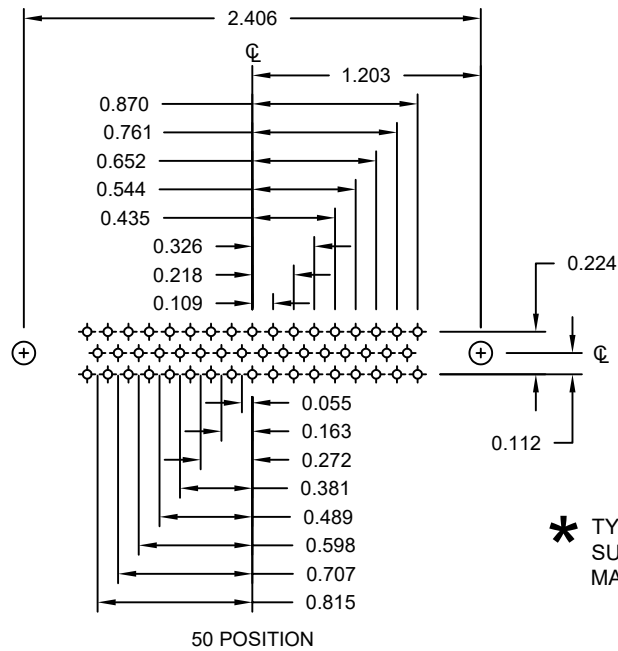
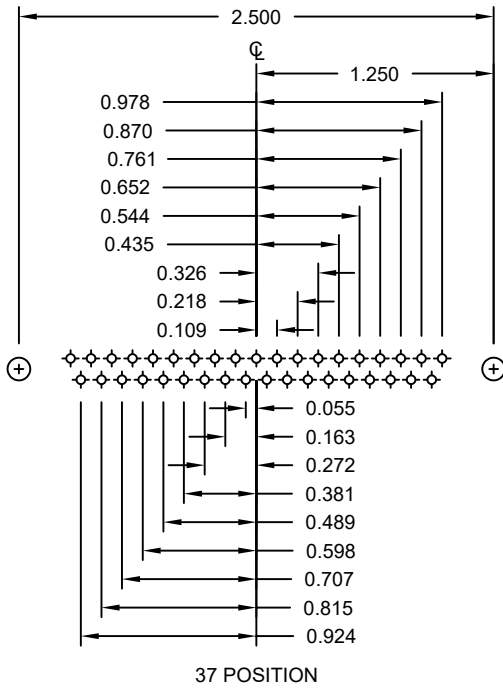
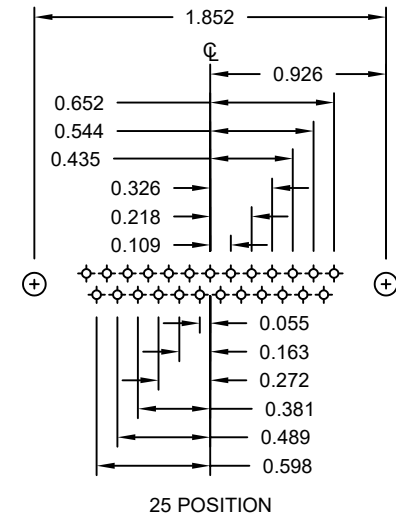
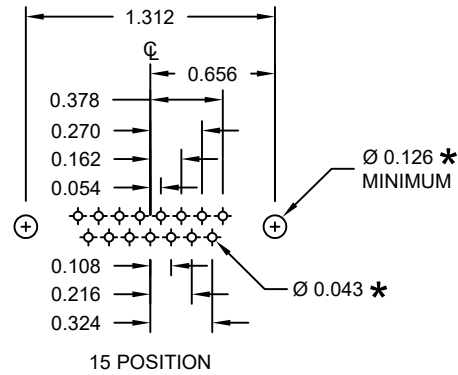
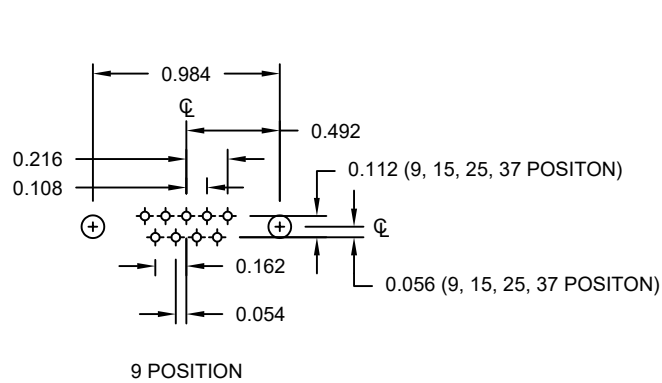
SCALE:  
NTS

SHEET OF  
1 3

REV  
22

DWG NO.

172-YYY-113RYY1



\* TYP.  
SUGGESTED SIZE  
MAY NOT BE SUITABLE FOR ALL APPLICATIONS

RoHS COMPLIANT

UNITS = inch

DO NOT SCALE FROM DRAWING



THESE DRAWINGS AND SPECIFICATIONS ARE THE PROPERTY OF NorComp AND SHALL NOT BE REPRODUCED, COPIED OR USED AS THE BASIS FOR THE MANUFACTURE OR SALE OF APPARATUS WITHOUT WRITTEN PERMISSION.

DRAWN:  
P. JENKINS

DATE:  
09/12/2005

NorComp

SCALE:  
NTS

SHEET OF  
2 3

REV  
22

DWG NO.

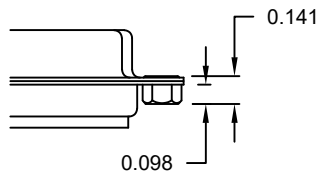
172-YYY-113RYY1

**TOLERANCE:**  
 ALL DIMENSIONS ARE ±0.010  
 UNLESS OTHERWISE  
 SPECIFIED

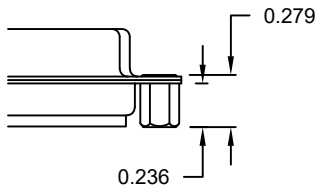
**ALL CLINCH-NUTS ARE 4-40 INTERNAL THREADS**

**\*\*NOTE: 90 & 92 OPTION FOR 0.093" MAX. BOARD THICKNESS**

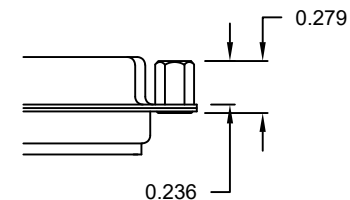
"01" // PCB SIDE



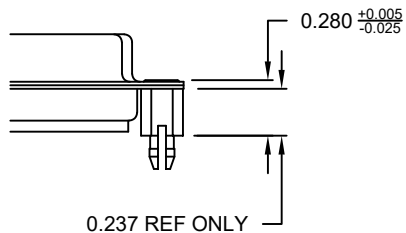
"02" // PCB SIDE



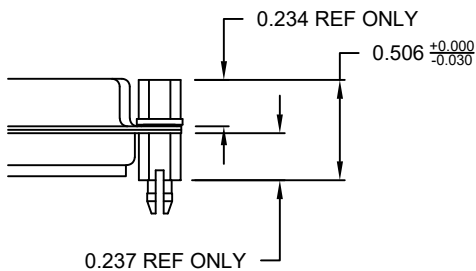
"03" // MATING SIDE



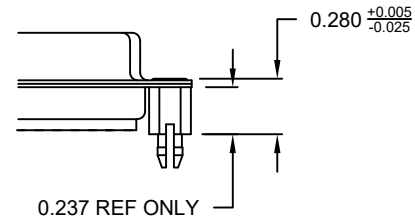
"05" // PCB SIDE



"91" // PCB SIDE

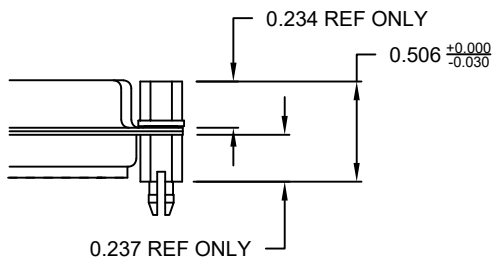


"90" // PCB SIDE \*\*



NOTE: 4-40 FEMALE SCREW LOCK IS REMOVABLE

"92" // PCB SIDE \*\*



50 in-oz  
 Max Torque

RoHS COMPLIANT

UNITS = inch

DO NOT SCALE FROM DRAWING



THESE DRAWINGS AND SPECIFICATIONS ARE THE PROPERTY OF NorComp AND SHALL NOT BE REPRODUCED, COPIED OR USED AS THE BASIS FOR THE MANUFACTURE OR SALE OF APPARATUS WITHOUT WRITTEN PERMISSION.

DRAWN:  
 P. JENKINS  
 DATE:  
 09/12/2005

NorComp

SCALE: NTS	SHEET 3	OF 3	REV 22
DWG NO. 172-YYY-113RYY1			