

- NOTES**
1. 本製品は極数によって、ロック形状が変わりますので御注意願います。
THE LOCK SHAPE OF THIS PRODUCT CHANGES ACCORDING TO THE NUMBER OF CIRCUIT.
2~5 CIRCUITS : フリクションロック FRICTION LOCK
6~15 CIRCUITS : インナーポジティブロック INNER POSITIVE LOCK
 2. 材料及び仕上げ(めっき仕様) : TABLE 1,3 参照
MATERIAL AND FINISHES : SEE TABLE 1 AND 3
 3. 製品仕様書 : 5013300000-PS PS 003
PRODUCT SPECIFICATION:
 4. 梱包形態 : SEE SHEET 4
PACKAGING INFORMATION:
 5. 嵌合相手 : 501330 シリーズ
MATES WITH:501330 SERIES
 6. アプリケーション仕様書(コネクタ取扱い説明書) : 5013300000-AS PS 001
APPLICATION SPECIFICATION(CONNECTOR MANUAL):
 7. ソルダーピン及びネイルの平坦度:0.1 MAX.
SOLDER PIN AND NAIL COPLANARITY: 0.1 MAX.
 8. 偶数極に適用
APPLY FOR EVEN CIRCUIT
 9. 金めっき品は2083870000-SD PSD 000の図面を御参照下さい。
PLEASE REFER TO THE DRAWING No 2083870000-SD PSD 000 FOR GOLD PLATING VERSION.

10. 製品番号構成 : 発注番号はTABLE 2,4参照
PRODUCT NUMBER COMPOSITION
ORDER No. : SEE TABLE 2,4

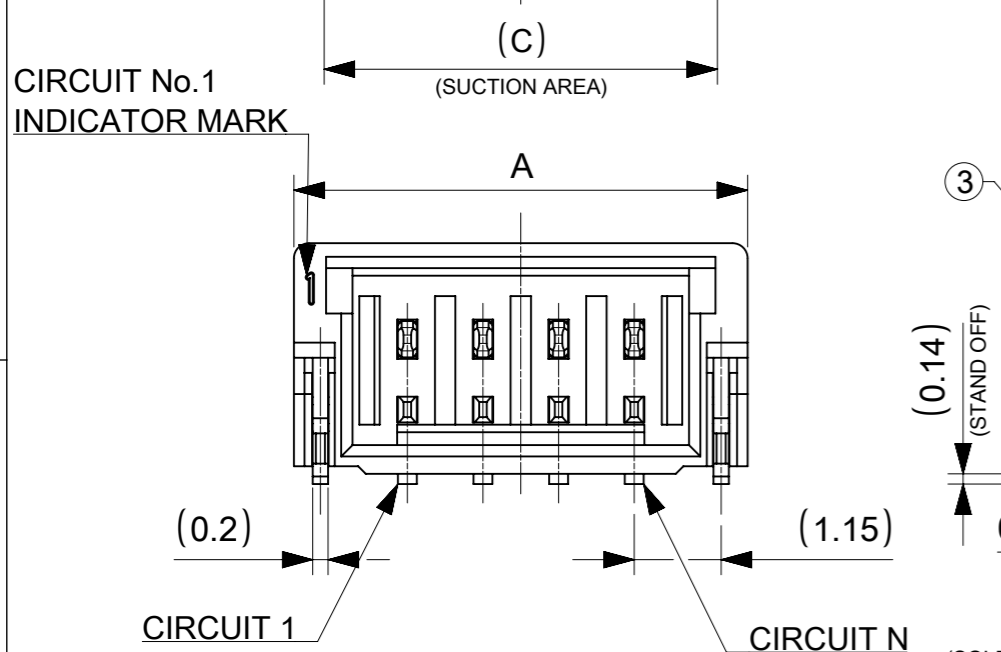
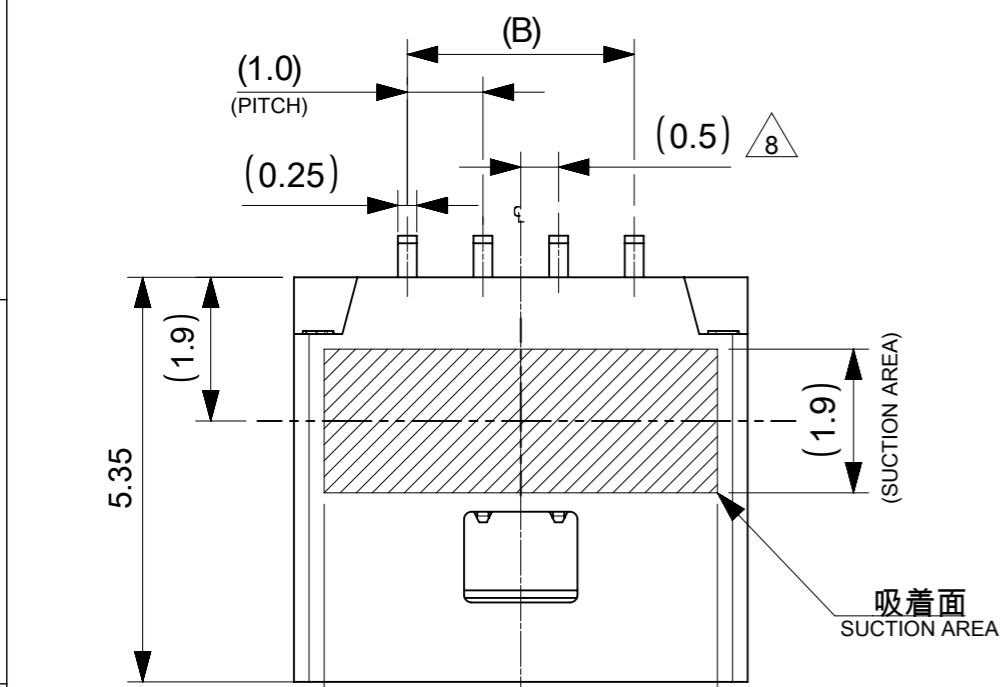
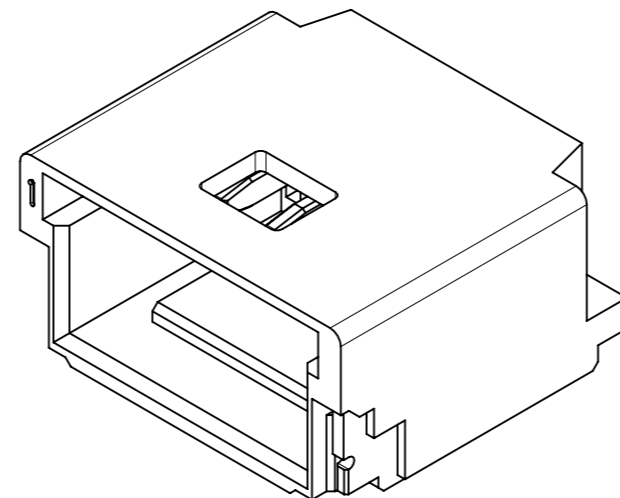
208387 * * * *

極数 CIRCUIT SIZE	ハウジングカラー HOUSING COLOR	製品識別番号 IDENTIFICATION NUMBER
	0:NATURAL(BEIGE) 1:BLACK	9: TIN PLATING

10. TABLE 2

			HOUSING COLOR		
			BLACK	NATURAL(BEIGE)	
6.2	4.0	7.0	208387 0519	208387 0509	5
5.2	3.0	6.0	208387 0419	208387 0409	4
4.2	2.0	5.0	208387 0319	208387 0309	3
3.2	1.0	4.0	208387 0219	208387 0209	2
C	B	A	発注番号 ORDER No.		極数 CIRCUIT SIZE
極数別 寸法 DIMENSION			梱包形態 : エンボスリール PACKAGE:EMBOSSED REEL		

THIS DRAWING CONTAINS INFORMATION THAT IS PROPRIETARY TO MOLEX ELECTRONIC TECHNOLOGIES, LLC AND SHOULD NOT BE USED WITHOUT WRITTEN PERMISSION					
DIMENSION UNITS		SCALE		CURRENT REV DESC:	
mm		NTS			
GENERAL TOLERANCES (UNLESS SPECIFIED)					
ANGULAR TOL ± 3.0°					
4 PLACES ± 0.2		EC NO: 637929		2020/05/20	
3 PLACES ± 0.2		DRWN: AISHIKAWA		2020/05/22	
2 PLACES ± 0.2		CHK'D: AIDA		2020/05/22	
1 PLACE ± 0.2		APPR: SAKIYAMA		2020/05/22	
0 PLACES ± 0.2		INITIAL REVISION:			
DRAFT WHERE APPLICABLE MUST REMAIN WITHIN DIMENSIONS		DRWN: AISHIKAWA		2019/07/16	
THIRD ANGLE PROJECTION		APPR: SAKIYAMA		2019/10/31	
DRAWING		SERIES		DOCUMENT NUMBER	
A3-SIZE		208387		2083870000-SD	
MATERIAL NUMBER		CUSTOMER		DOC TYPE DOC PART REVISION	
SEE TABLE 2 AND 4		GENERAL		PSD 001 B	
SHEET NUMBER		1 OF 5			



2. TABLE 1

番号 NO.	部品 PART	材質 MATERIAL	
①	ウエハー WAFER	ポリアミド(PA), ガラス充填, UL94V-0, LOW HALOGEN, 色 : SEE TABLE 2 POLYAMIDE(PA), GLASS FILLED, UL94V-0, LOW HALOGEN, COLOR : SEE TABLE 2	
②	ソルダーピン SOLDER PIN	リン青銅 PHOSPHOR BRONZE	
		接点部 CONTACT AREA	錫めっき : 1.0 MICRO-METER MIN MATTE TIN PLATING
		テール部 TAIL AREA	
	下地めっき UNDER PLATING	ニッケルめっき : 1.0 MICRO-METER MIN NICKEL PLATING	
③	ネイル NAIL	黄銅 BRASS	
		テール部 TAIL AREA	錫めっき : 1.0 MICRO-METER MIN MATTE TIN PLATING
		下地めっき UNDER PLATING	ニッケルめっき : 1.0 MICRO-METER MIN NICKEL PLATING

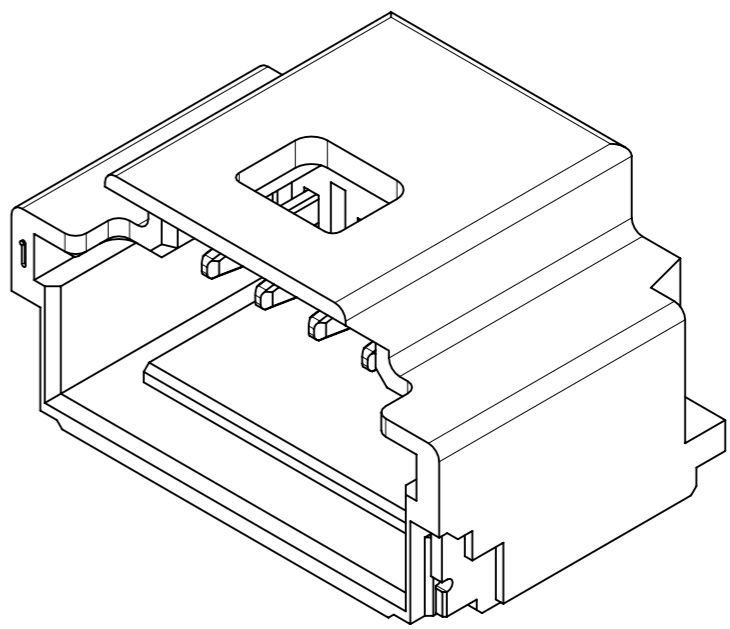
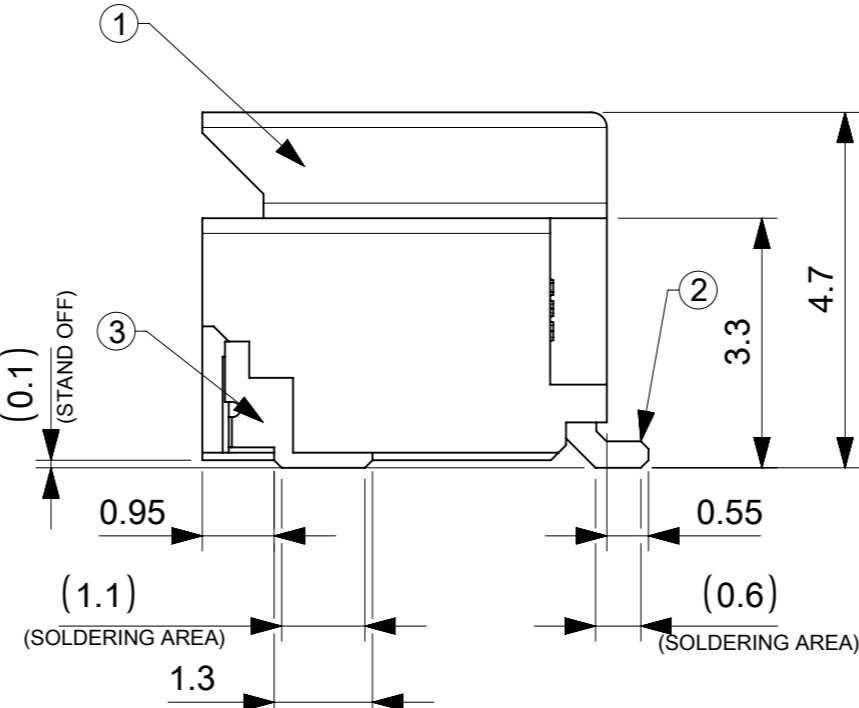
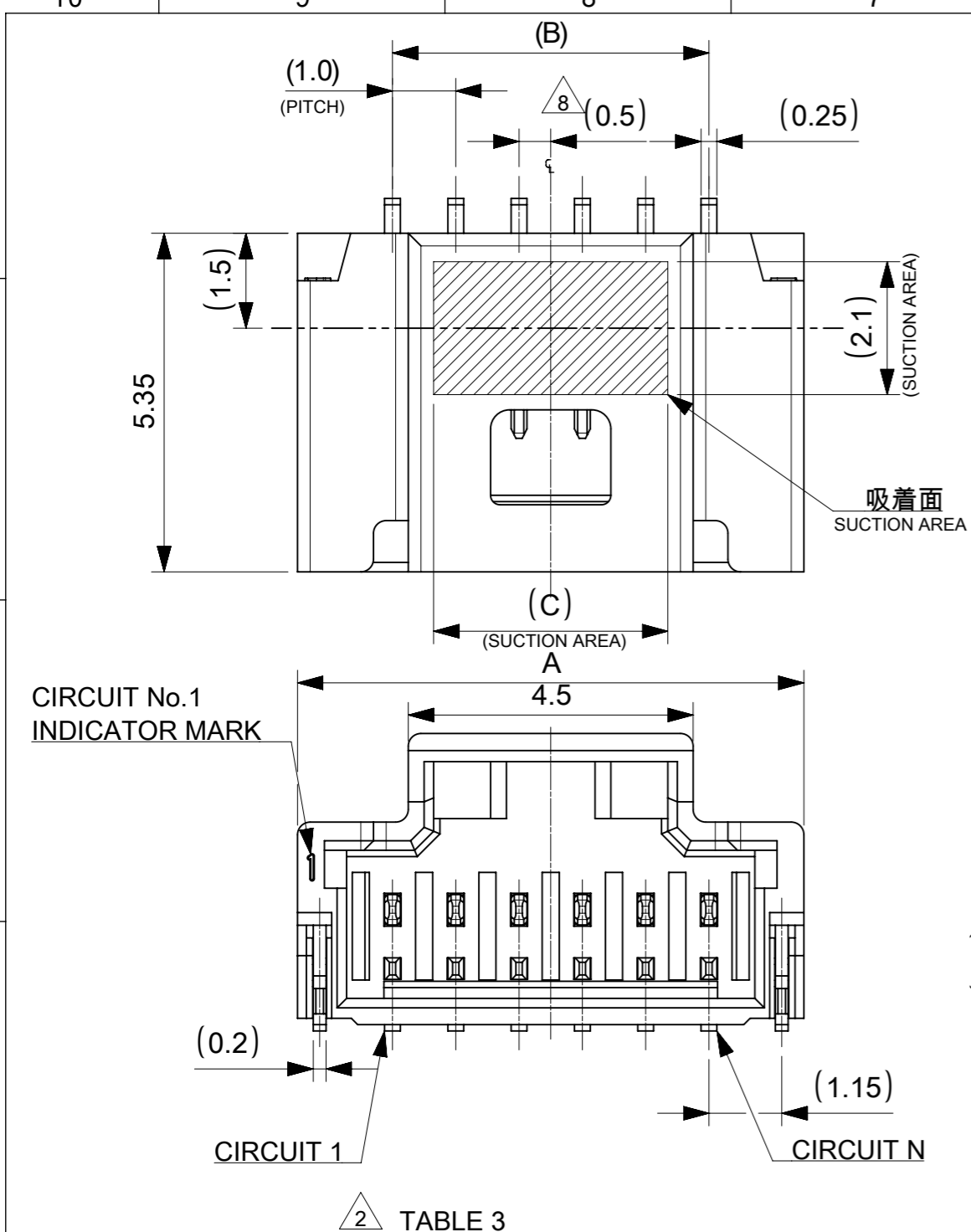


TABLE 3

TABLE 4

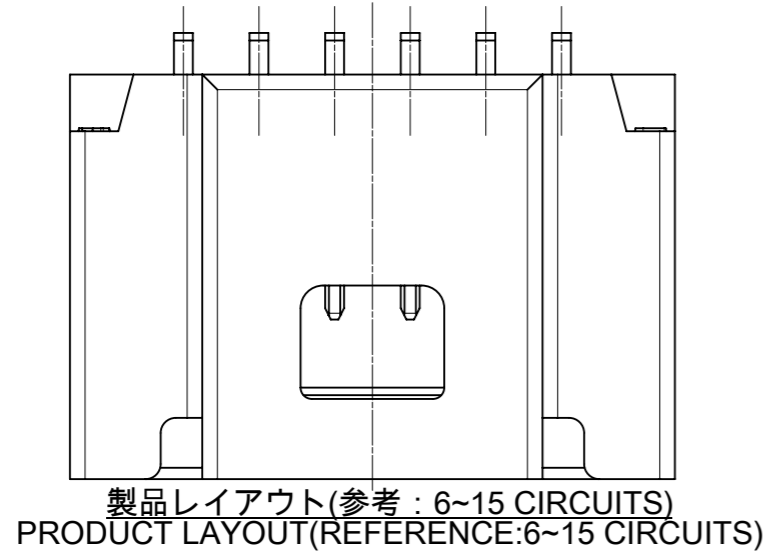
			HOUSING COLOR		
			BLACK	NATURAL(BEIGE)	
12.7	14.0	17.0	208387 1519	208387 1509	15
11.7	13.0	16.0	1419	1409	14
10.7	12.0	15.0	1319	1309	13
9.7	11.0	14.0	1219	1209	12
8.7	10.0	13.0	1119	1109	11
7.7	9.0	12.0	1019	1009	10
6.7	8.0	11.0	0919	0909	9
5.7	7.0	10.0	0819	0809	8
4.7	6.0	9.0	0719	0709	7
3.7	5.0	8.0	208387 0619	208387 0609	6
C	B	A	発注番号 ORDER No.		極数
極数別寸法 DIMENSION			梱包形態:エンボスリール PACKAGE:EMBOSSED REEL		CIRCUIT SIZE

番号 NO.	部品 PART	材質 MATERIAL	
①	ウエハー WAFER	ポリアミド(PA), ガラス充填, UL94V-0, LOW HALOGEN, 色 : SEE TABLE 2 POLYAMIDE(PA), GLASS FILLED, UL94V-0, LOW HALOGEN, COLOR : SEE TABLE 2	
②	ソルダーピン SOLDER PIN	リン青銅 PHOSPHOR BRONZE	
		接点部 CONTACT AREA	錫めっき : 1.0 MICRO-METER MIN MATTE TIN PLATING
		テール部 TAIL AREA	
	下地めっき UNDER PLATING	ニッケルめっき : 1.0 MICRO-METER MIN NICKEL PLATING	
③	ネイル NAIL	黄銅 BRASS	
		テール部 TAIL AREA	錫めっき : 1.0 MICRO-METER MIN MATTE TIN PLATING
		下地めっき UNDER PLATING	ニッケルめっき : 1.0 MICRO-METER MIN NICKEL PLATING

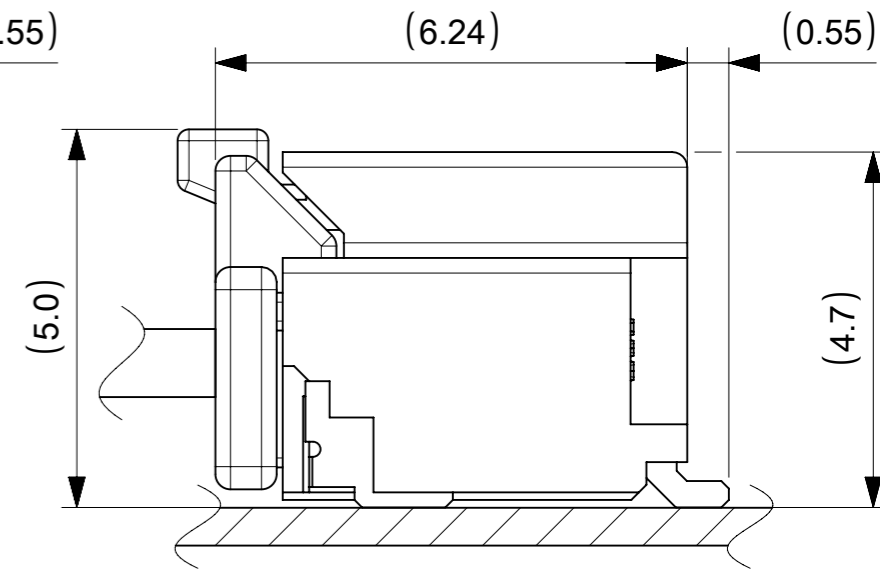
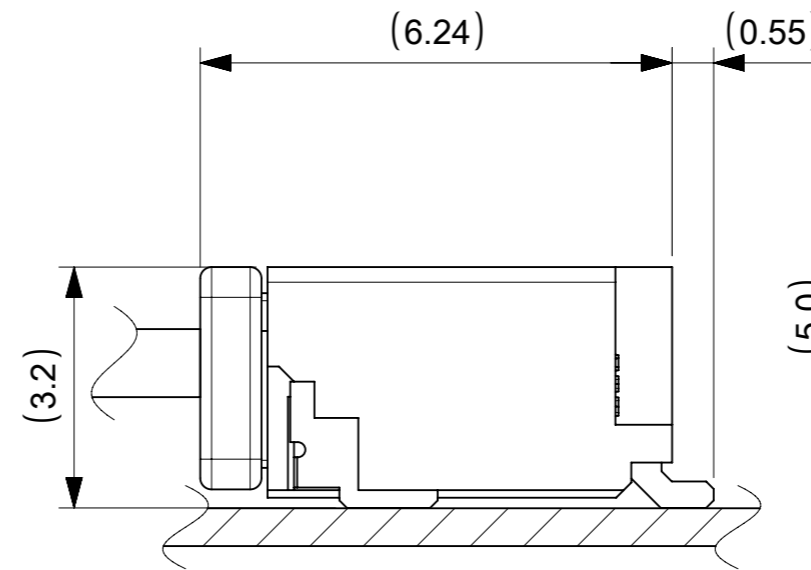
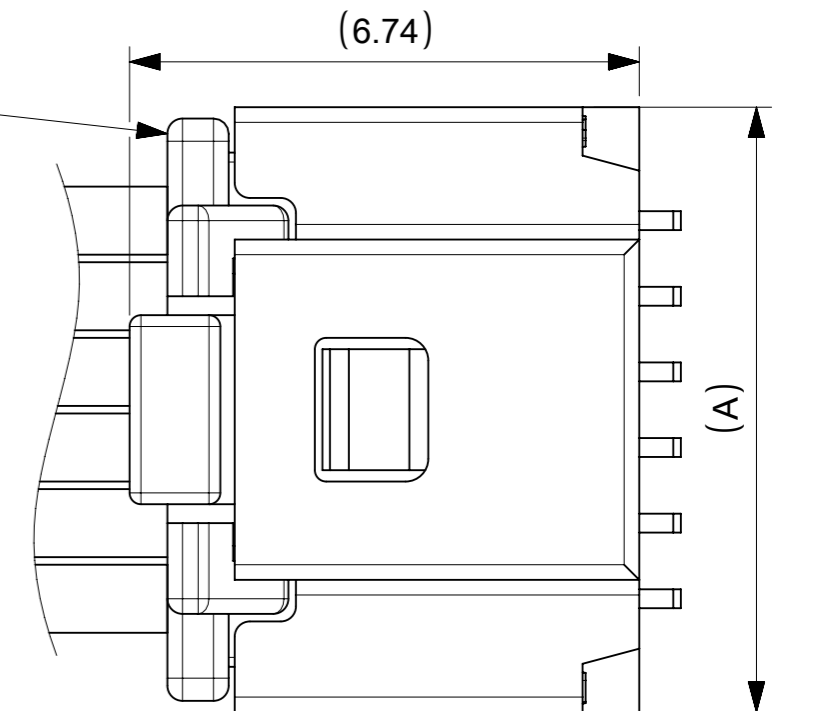
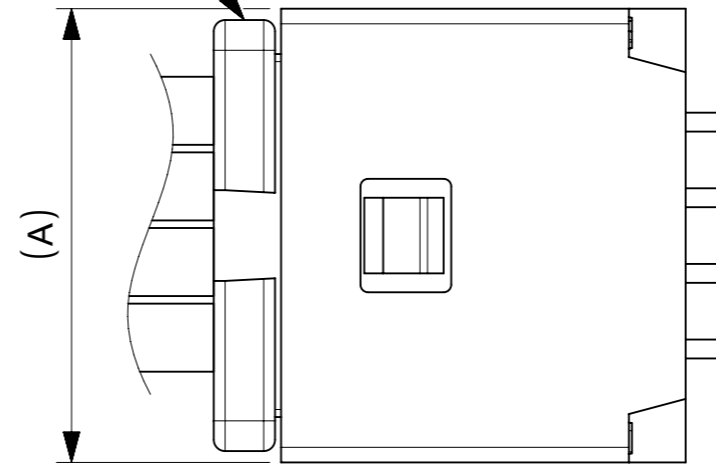
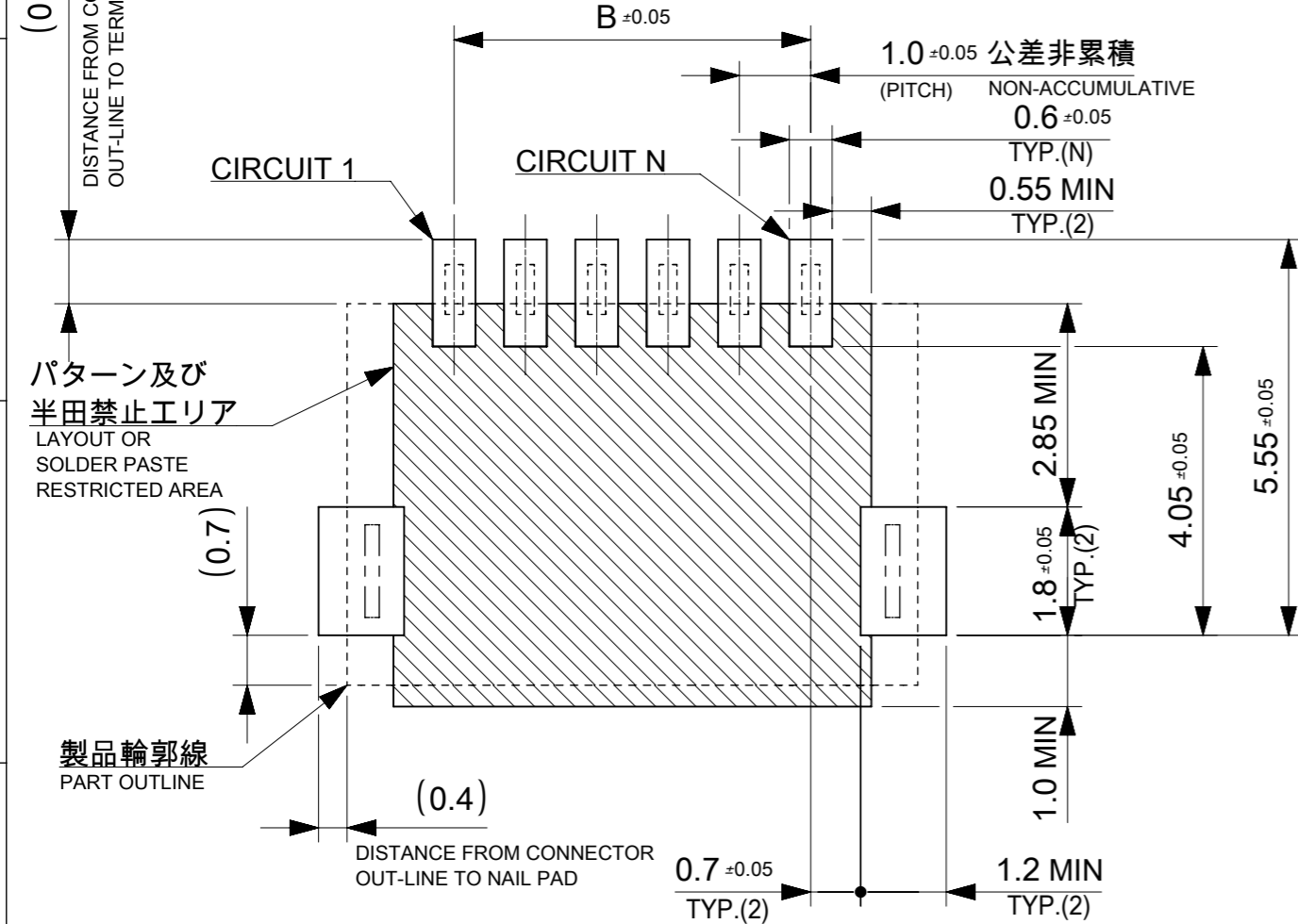
THIS DRAWING CONTAINS INFORMATION THAT IS PROPRIETARY TO MOLEX ELECTRONIC TECHNOLOGIES, LLC AND SHOULD NOT BE USED WITHOUT WRITTEN PERMISSION

DIMENSION UNITS	SCALE	CURRENT REV DESC:	molex		
mm	NTS				
GENERAL TOLERANCES (UNLESS SPECIFIED)			PICO-CLASP 1.0 W/B SINGLE ROW R/A SMT INNER LOCK TIN PLATING LOW HALOGEN		
ANGULAR TOL	± 3.0 °	EC NO: 637929	PRODUCT CUSTOMER DRAWING		
4 PLACES	± 0.2	DRWN: AISHIKAWA 2020/05/20	DOCUMENT NUMBER		
3 PLACES	± 0.2	CHK'D: AIDA 2020/05/22	DOC TYPE DOC PART REVISION		
2 PLACES	± 0.2	APPR: SAKIYAMA 2020/05/22	2083870000-SD PSD 001 B		
1 PLACE	± 0.2	INITIAL REVISION:			
0 PLACES	± 0.2	DRWN: AISHIKAWA 2019/07/16			
DRAFT WHERE APPLICABLE MUST REMAIN WITHIN DIMENSIONS		APPR: SAKIYAMA 2019/10/31			
THIRD ANGLE PROJECTION		DRAWING	SERIES	MATERIAL NUMBER	CUSTOMER
A3-SIZE		208387	SEE TABLE 2 AND 4	GENERAL	SHEET NUMBER
					2 OF 5

5 嵌合相手 : 501330シリーズ
MATE WITH : 501330 SERIES



(0.9)
DISTANCE FROM CONNECTOR
OUT-LINE TO TERMINAL PAD



a) 2~5 CIRCUITS

b) 6~15 CIRCUITS

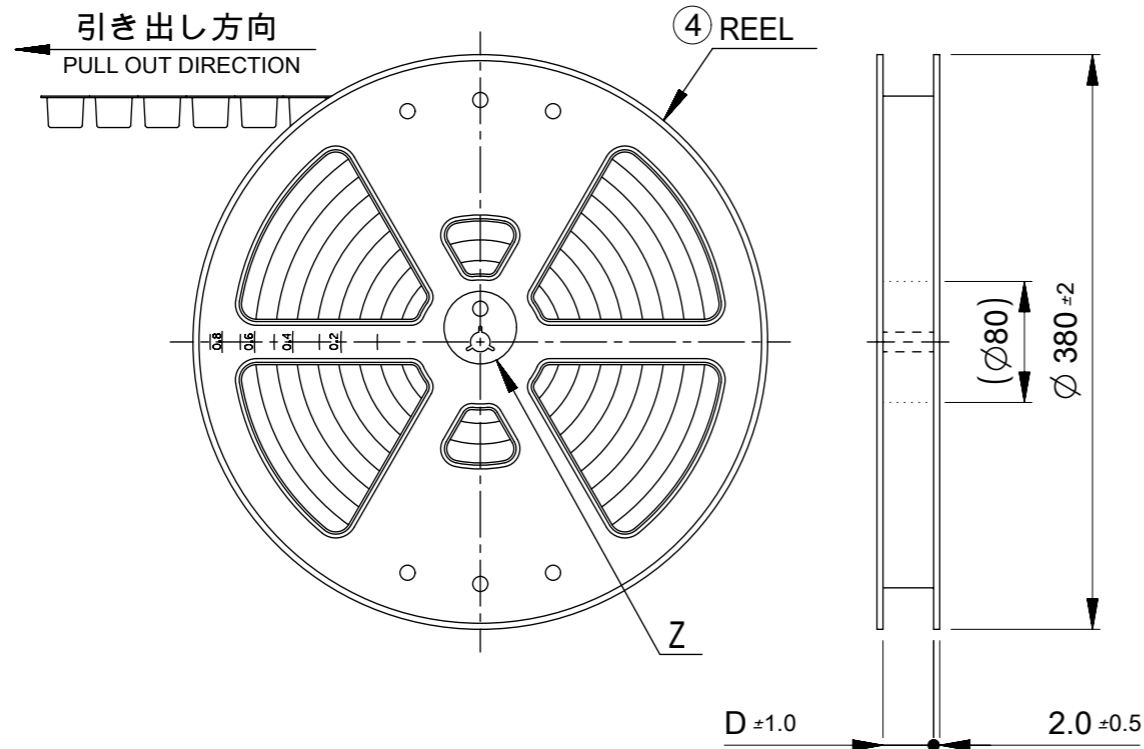
嵌合図
MATED CONNECTORS

推奨基板レイアウト(全極数適応) : 実装面側
(参考 : 基板厚 1.0mm, メタルマスク厚さ 0.12mm, マスク開口率100%)

POLARIZED RECOMMENDED PCB LAYOUT(APPLY TO ALL CIRCUITS) : COMPONENT SIDE
(REFERENCE: PCB THICKNESS 1.0mm, STENCIL THICKNESS 0.12mm, APERTURE RATIO 100%)

:パターン禁止エリア
RESTRICTED AREA
NO PCB COMPONENTS ALLOWED

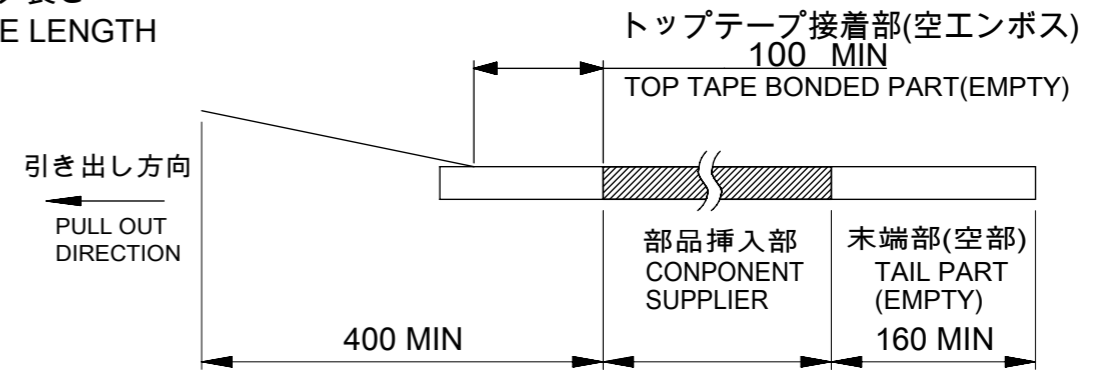
THIS DRAWING CONTAINS INFORMATION THAT IS PROPRIETARY TO MOLEX ELECTRONIC TECHNOLOGIES, LLC AND SHOULD NOT BE USED WITHOUT WRITTEN PERMISSION		CURRENT REV DESC:		molex	
DIMENSION UNITS	SCALE				
mm	NTS			PICO-CLASP 1.0 W/B SINGLE ROW R/A SMT INNER LOCK TIN PLATING LOW HALOGEN	
GENERAL TOLERANCES (UNLESS SPECIFIED)				PRODUCT CUSTOMER DRAWING	
ANGULAR TOL	± 3.0 °			DOCUMENT NUMBER	
4 PLACES	± 0.2	EC NO: 637929	2020/05/20	2083870000-SD	
3 PLACES	± 0.2	DRWN: AISHIKAWA	2020/05/22	DOC TYPE	DOC PART
2 PLACES	± 0.2	CHK'D: AIDA	2020/05/22	PSD	001
1 PLACE	± 0.2	APPR: SAKIYAMA	2020/05/22	REVISION	
0 PLACES	± 0.2	INITIAL REVISION:		B	
DRAFT WHERE APPLICABLE MUST REMAIN WITHIN DIMENSIONS		DRWN: AISHIKAWA	2019/07/16	SHEET NUMBER	
THIRD ANGLE PROJECTION		APPR: SAKIYAMA	2019/10/31	3 OF 5	
DRAWING		SERIES	MATERIAL NUMBER	CUSTOMER	
A3-SIZE		208387	SEE TABLE 2 AND 4	GENERAL	



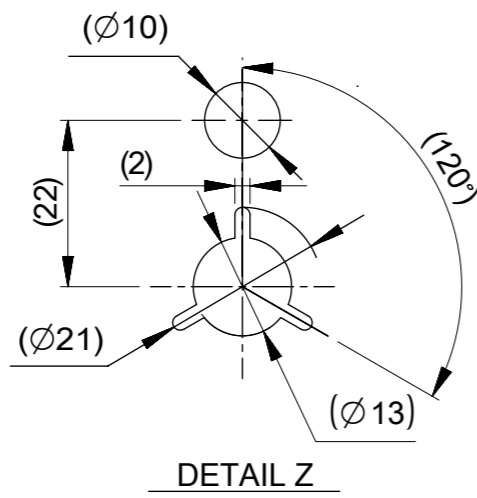
NOTES

10. 梱包数量
 2-5 CIRCUIT: 1700個/リール
 6-15 CIRCUIT: 1300個/リール
 NUMBER OF CONNECTORS
 2-5 CIRCUIT : 1700 PIECES/REEL
 6-15 CIRCUIT : 1300 PIECES/REEL

11. リードテープ長さ
 LEAD TAPE LENGTH



12. トップテープの剥離強度はIEC60286-3に準拠。
 TOP TAPE PEELING FORCE IS DEFINED BY IEC60286-3.
 13. 梱包仕様書 : 2083879200-SPK PS 200
 PACKAGE SPECIFICATION:



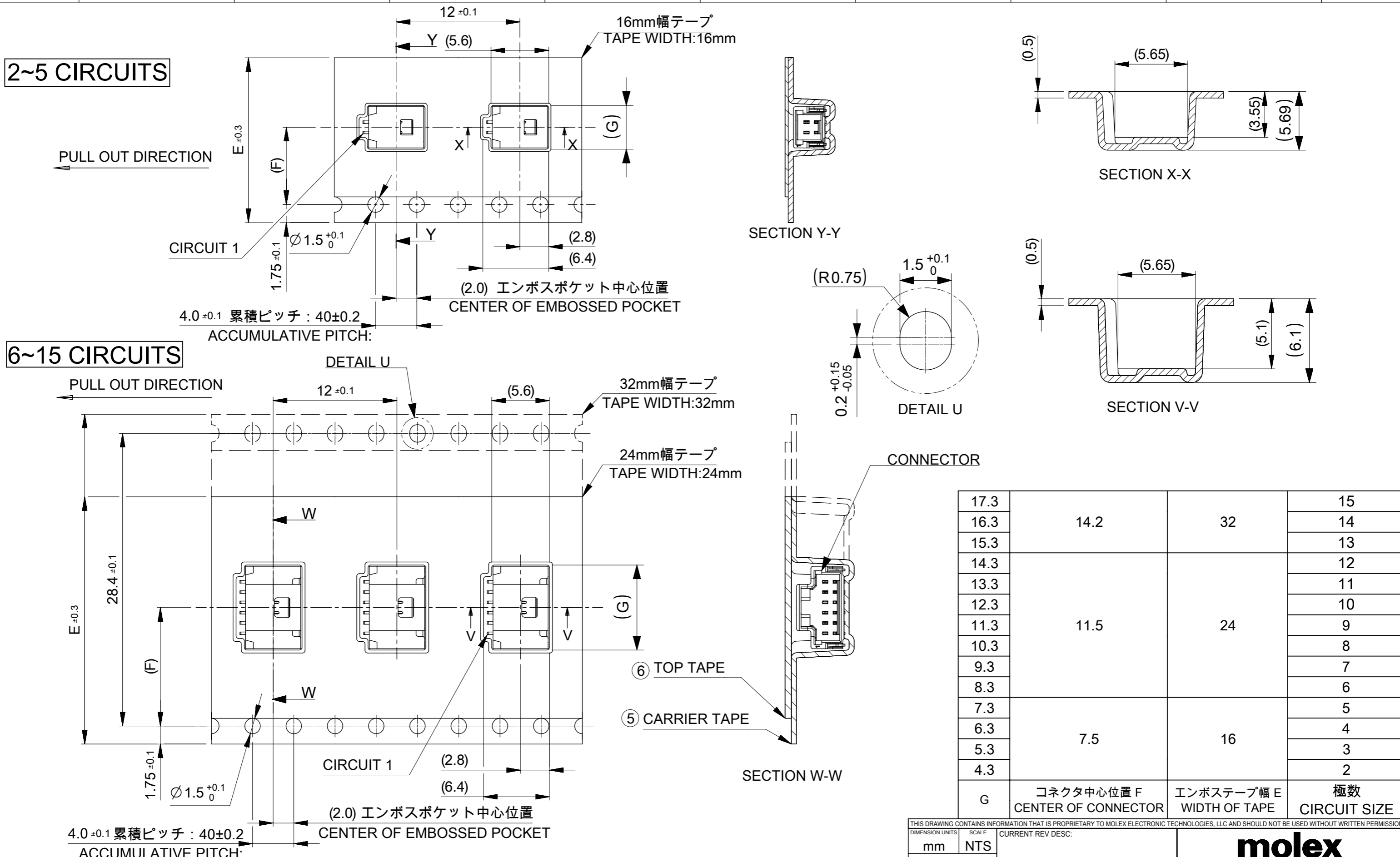
33.4	15
	14
	13
25.4	12
	11
	10
	9
	8
	7
17.5	6
	5
	4
	3
D	2
	極数 CIRCUIT SIZE

THIS DRAWING CONTAINS INFORMATION THAT IS PROPRIETARY TO MOLEX ELECTRONIC TECHNOLOGIES, LLC AND SHOULD NOT BE USED WITHOUT WRITTEN PERMISSION		CURRENT REV DESC:		molex	
DIMENSION UNITS	SCALE	EC NO: 637929			
mm	NTS	DRWN: AISHIKAWA 2020/05/20		SINGLE ROW R/A SMT INNER LOCK TIN PLATING LOW HALOGEN	
GENERAL TOLERANCES (UNLESS SPECIFIED)		CHK'D: AIDA 2020/05/22		PRODUCT CUSTOMER DRAWING	
ANGULAR TOL	± 3.0 °	APPR: SAKIYAMA 2020/05/22		DOCUMENT NUMBER	
4 PLACES	± 0.2	INITIAL REVISION:		2083870000-SD	
3 PLACES	± 0.2	DRWN: AISHIKAWA 2019/07/16		DOC TYPE	DOC PART
2 PLACES	± 0.2	APPR: SAKIYAMA 2019/10/31		PSD	001
1 PLACE	± 0.2	MATERIAL NUMBER		CUSTOMER	REVISION
0 PLACES	± 0.2	SEE TABLE 2 AND 4		GENERAL	B
DRAFT WHERE APPLICABLE MUST REMAIN WITHIN DIMENSIONS		THIRD ANGLE PROJECTION	DRAWING	SERIES	SHEET NUMBER
			A3-SIZE	208387	4 OF 5

番号 NO.	部品 PART	材質 MATERIAL
④	リール REEL	ポリスチレン(PS) <リサイクル材を含む> POLYSTYRENE(PS) <RECYCLE MATERIAL CONTAINED>
DOCUMENT STATUS	P1	RELEASE DATE 2020/05/22 02:13:22

2~5 CIRCUITS

6~15 CIRCUITS



17.3			15
16.3	14.2	32	14
15.3			13
14.3			12
13.3			11
12.3			10
11.3	11.5	24	9
10.3			8
9.3			7
8.3			6
7.3			5
6.3	7.5	16	4
5.3			3
4.3			2
G	コネクタ中心位置 F CENTER OF CONNECTOR	エンボステープ幅 E WIDTH OF TAPE	極数 CIRCUIT SIZE

THIS DRAWING CONTAINS INFORMATION THAT IS PROPRIETARY TO MOLEX ELECTRONIC TECHNOLOGIES, LLC AND SHOULD NOT BE USED WITHOUT WRITTEN PERMISSION

mm NTS

GENERAL TOLERANCES (UNLESS SPECIFIED)

ANGULAR TOL ± 3.0°

4 PLACES ± 0.2

3 PLACES ± 0.2

2 PLACES ± 0.2

1 PLACE ± 0.2

0 PLACES ± 0.2

DRIFT WHERE APPLICABLE MUST REMAIN WITHIN DIMENSIONS

THIRD ANGLE PROJECTION

DRAWING A3-SIZE

SERIES 208387

MATERIAL NUMBER SEE TABLE 2 AND 4

CUSTOMER GENERAL

SHEET NUMBER 5 OF 5

EC NO: 637929

DRWN: AISHIKAWA 2020/05/20

CHK'D: AIDA 2020/05/22

APPR: SAKIYAMA 2020/05/22

INITIAL REVISION:

DRWN: AISHIKAWA 2019/07/16

APPR: SAKIYAMA 2019/10/31

DOCUMENT NUMBER 2083870000-SD

DOC TYPE PSD

DOC PART 001

REVISION B

molex

PICO-CLASP 1.0 W/B

SINGLE ROW R/A SMT INNER LOCK TIN PLATING

LOW HALOGEN

PRODUCT CUSTOMER DRAWING

番号 NO.	部品 PART	材質 MATERIAL
⑤	キャリアテープ CARRIER TAPE	ポリプロピレン(PP)、その他 POLYPROPYLEN(PP), etc
⑥	トップテープ TOP TAPE	ポリエチレン(PE)、その他 POLYETHYLENE(PE), etc

DOCUMENT STATUS	P1	RELEASE DATE	2020/05/22	02:13:22
-----------------	----	--------------	------------	----------

NOTES

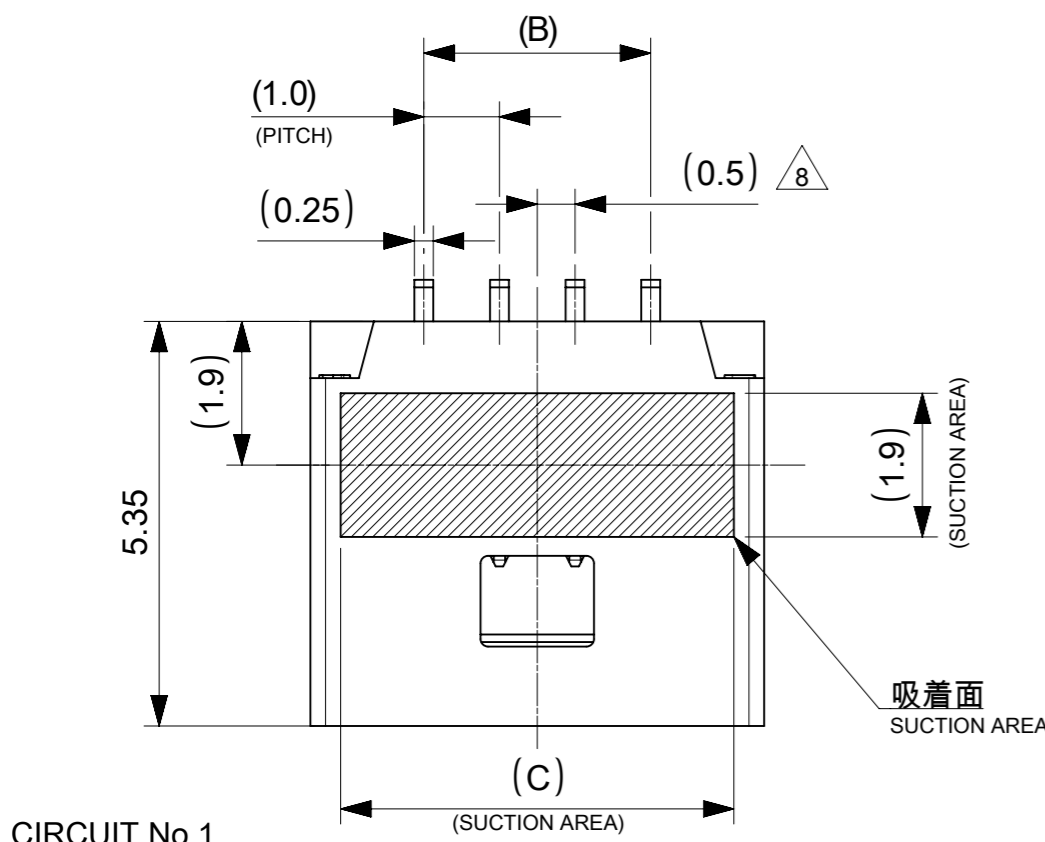
- 本製品は極数によって、ロック形状が変わりますので御注意願います。
THE LOCK SHAPE OF THIS PRODUCT CHANGES ACCORDING TO THE NUMBER OF CIRCUIT.
2~5 CIRCUITS : フリクションロック FRICTION LOCK
6~15 CIRCUITS : インナーポジティブロック INNER POSITIVE LOCK
- 材料及び仕上げ(めっき仕様) : TABLE 1,2 参照
MATERIAL AND FINISHES : SEE TABLE 1 AND 2
- 製品仕様書 : 5013300000-PS PS 004
PRODUCT SPECIFICATION:
- 梱包形態 : SEE SHEET 4
PACKAGING INFORMATION:
- 嵌合相手 : 501330 シリーズ
MATES WITH:501330 SERIES
- アプリケーション仕様書(コネクタ取扱い説明書) : 5013300000-AS PS 001
APPLICATION SPECIFICATION(CONNECTOR MANUAL):
- ソルダーピン及びネイルの平坦度:0.1 MAX.
SOLDER PIN AND NAIL COPLANARITY: 0.1 MAX.
- 偶数極に適応
APPLY FOR EVEN CIRCUIT
- 錫めっき品は2083870000-SD PSD 001を御参照下さい。
PLEASE REFER TO 2083870000-SD PSD 001 FOR TIN PLATING VERSION.

△10 製品番号構成 : 発注番号はSHEET 6 参照
PRODUCT NUMBER COMPOSITION
ORDER No. : SEE SHEET 6

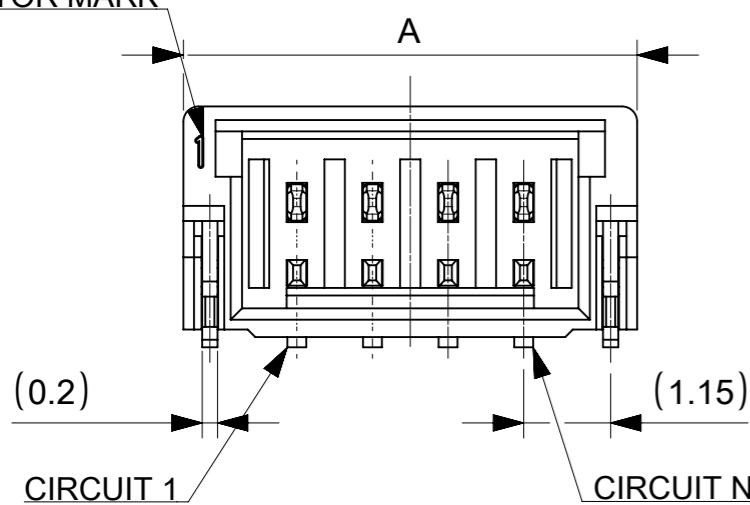
208387 ** ** *

極数 CIRCUIT SIZE	ハウジングカラー HOUSING COLOR	製品識別番号(めっき厚) IDENTIFICATION NUMBER (PLATING THICKNESS)
	0:NATURAL(BEIGE) 1:BLACK	7: 0.1 MICRO-METER MIN 5: 0.38 MICRO-METER MIN 3: 0.76 MICRO-METER MIN

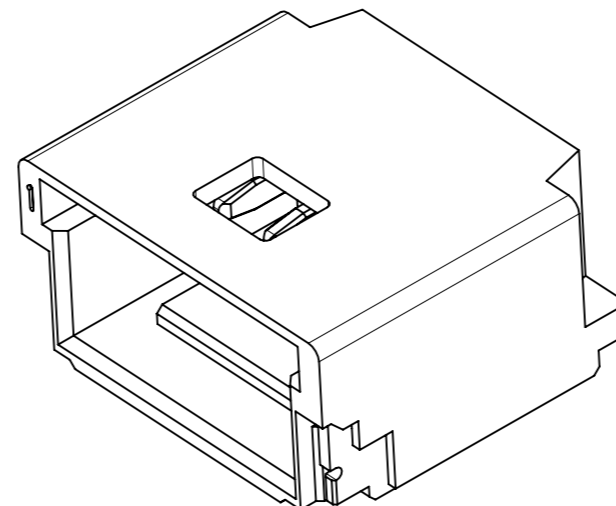
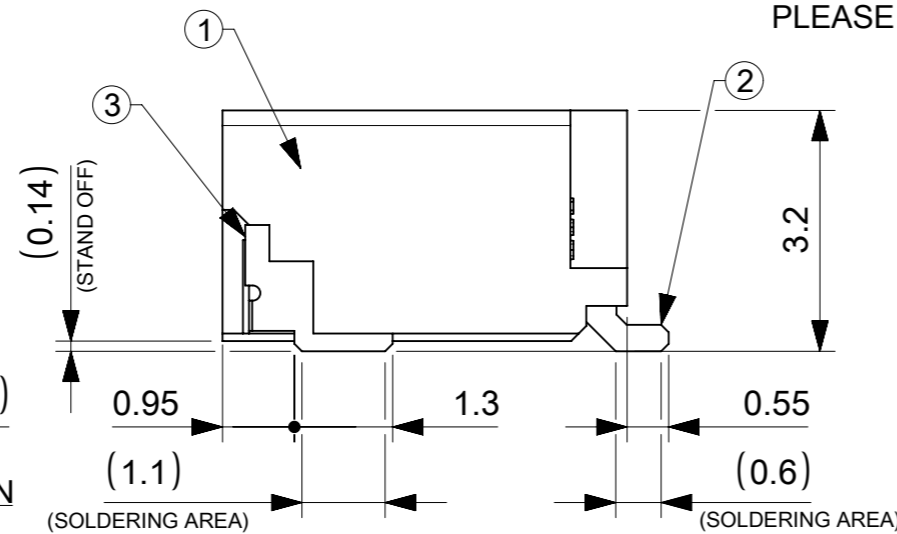
6.2	4.0	7.0	5
5.2	3.0	6.0	4
4.2	2.0	5.0	3
3.2	1.0	4.0	2
C	B	A	極数 CIRCUIT SIZE



CIRCUIT No.1
INDICATOR MARK



△2 TABLE 1



THIS DRAWING CONTAINS INFORMATION THAT IS PROPRIETARY TO MOLEX ELECTRONIC TECHNOLOGIES, LLC AND SHOULD NOT BE USED WITHOUT WRITTEN PERMISSION		CURRENT REV DESC:		molex	
DIMENSION UNITS mm	SCALE NTS	EC NO: 637929 DRWN: AISHIKAWA 2020/05/20 CHK'D: AIDA 2020/05/22 APPR: SAKIYAMA 2020/05/22			
GENERAL TOLERANCES (UNLESS SPECIFIED)		INITIAL REVISION:		PRODUCT CUSTOMER DRAWING	
ANGULAR TOL	± 3.0 °	DRWN: AISHIKAWA 2018/12/25 APPR: KOMURAKAMI 2019/02/06		DOCUMENT NUMBER 2083870000-SD	
4 PLACES	± 0.2	SERIES 208387		DOC TYPE PSD	DOC PART 000
3 PLACES	± 0.2	MATERIAL NUMBER SEE SHEET 6		REVISION C	
2 PLACES	± 0.2	CUSTOMER GENERAL		SHEET NUMBER 1 OF 6	
1 PLACE	± 0.2	THIRD ANGLE PROJECTION			
0 PLACES	± 0.2	DRAWING A3-SIZE			
DRAFT WHERE APPLICABLE MUST REMAIN WITHIN DIMENSIONS					

番号 NO.	部品 PART	材質 MATERIAL	
①	ウエハー WAFER	ポリアミド(PA), ガラス充填, UL94V-0, LOW HALOGEN, 色 : SEE SHEET 6 POLYAMIDE(PA), GLASS FILLED, UL94V-0, LOW HALOGEN, COLOR : SEE SHEET 6	
②	ソルダーピン SOLDER PIN	リン青銅 PHOSPHOR BRONZE	
		接点部 CONTACT AREA	金めっき : めっき厚はNOTES 10参照 GOLD PLATING : SEE NOTES 10 ABOUT THICKNESS
		テール部 TAIL AREA	金めっき GOLD PLATING
③	ネイル NAIL	下地めっき UNDER PLATING	ニッケルめっき : 1.0 MICRO-METER MIN NICKEL PLATING
		テール部 TAIL AREA	錫めっき : 1.0 MICRO-METER MIN MATTE TIN PLATING
		下地めっき UNDER PLATING	ニッケルめっき : 1.0 MICRO-METER MIN NICKEL PLATING

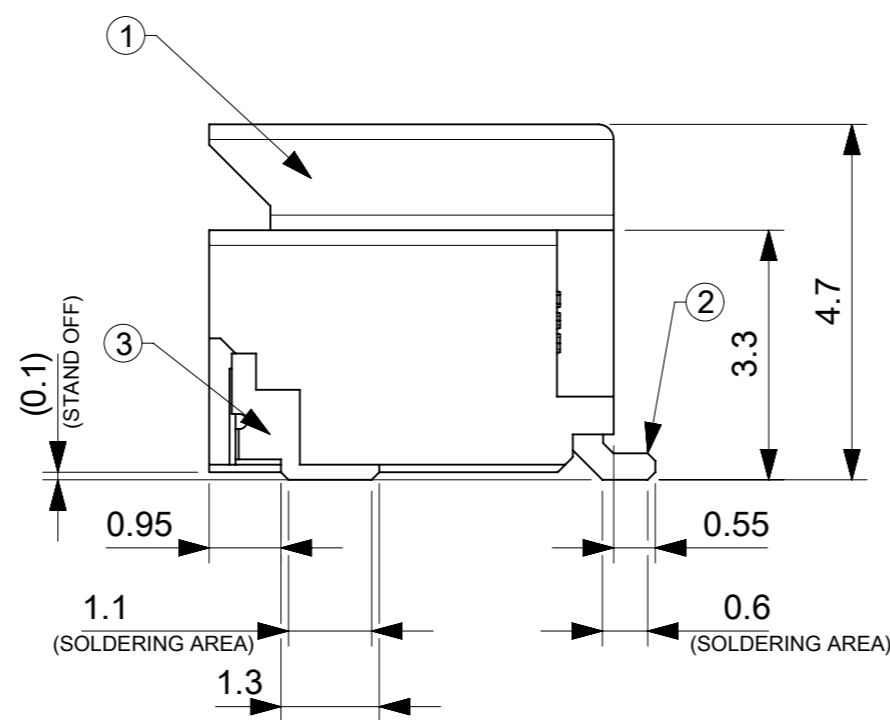
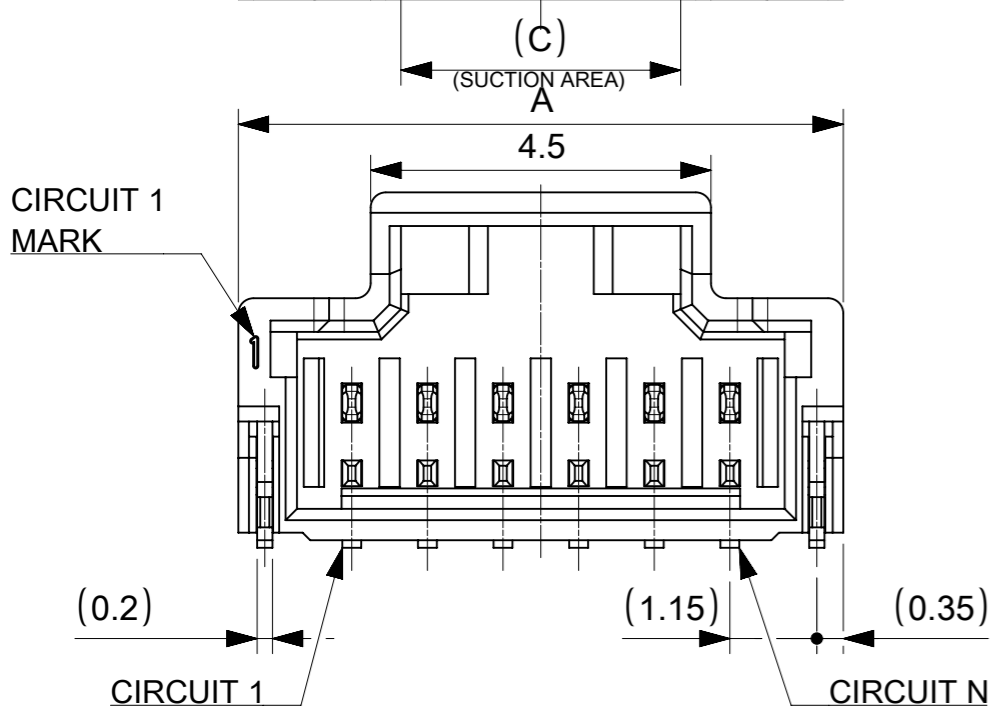
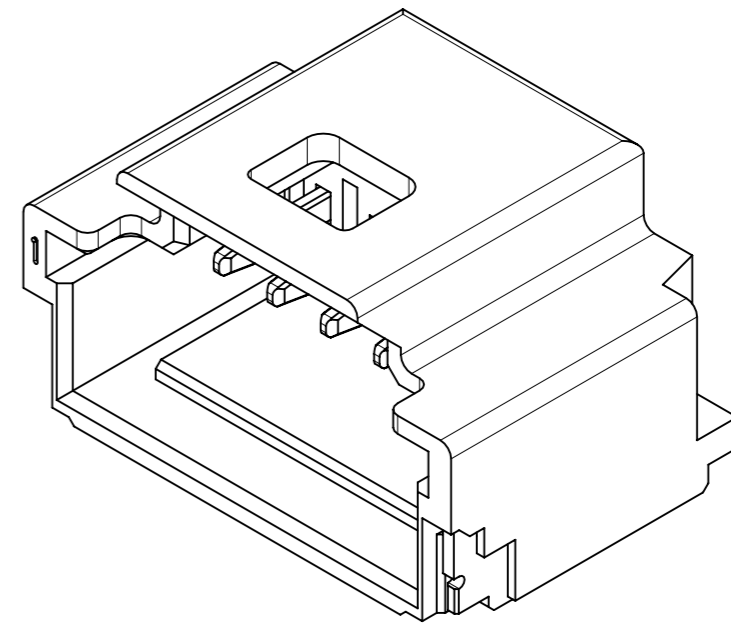
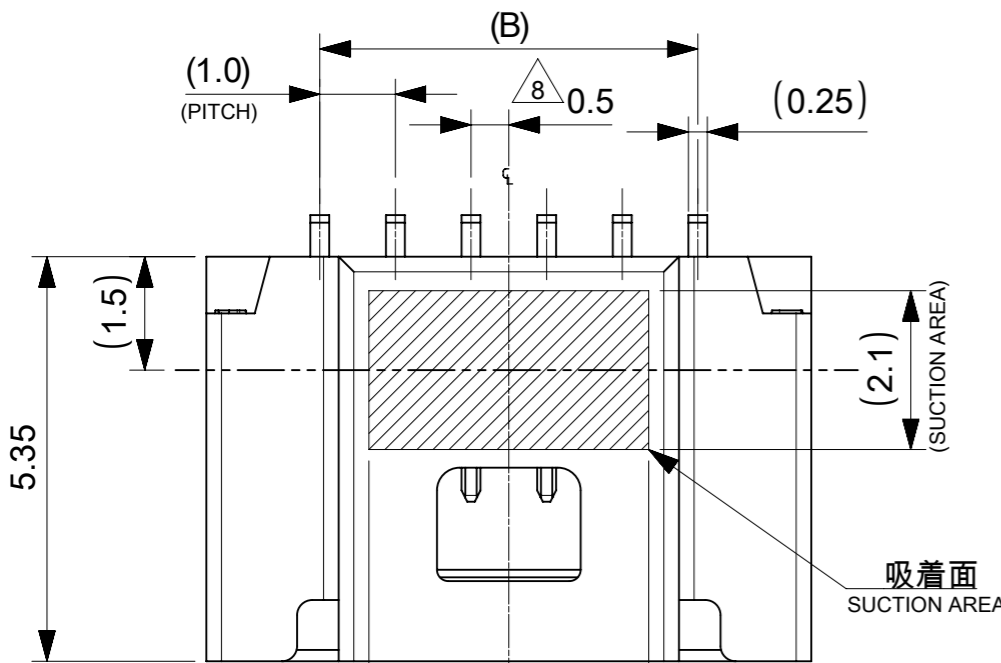


TABLE 1

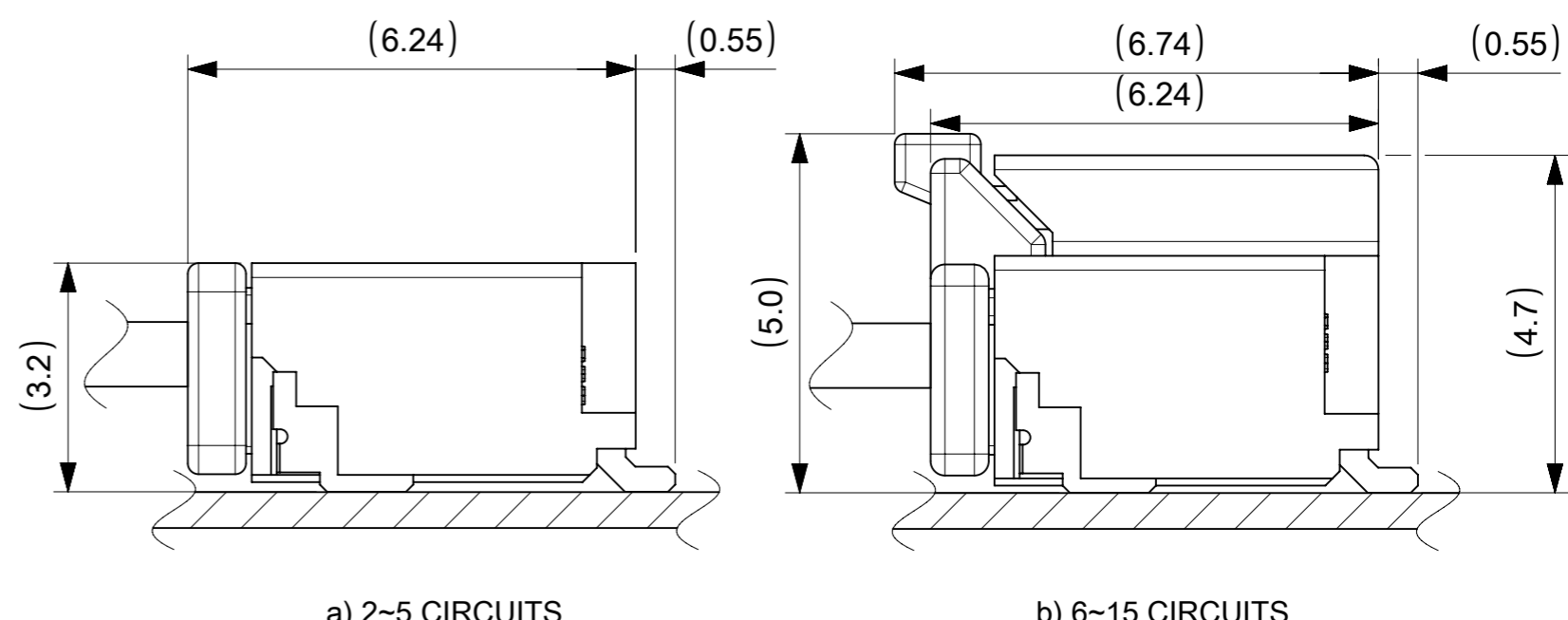
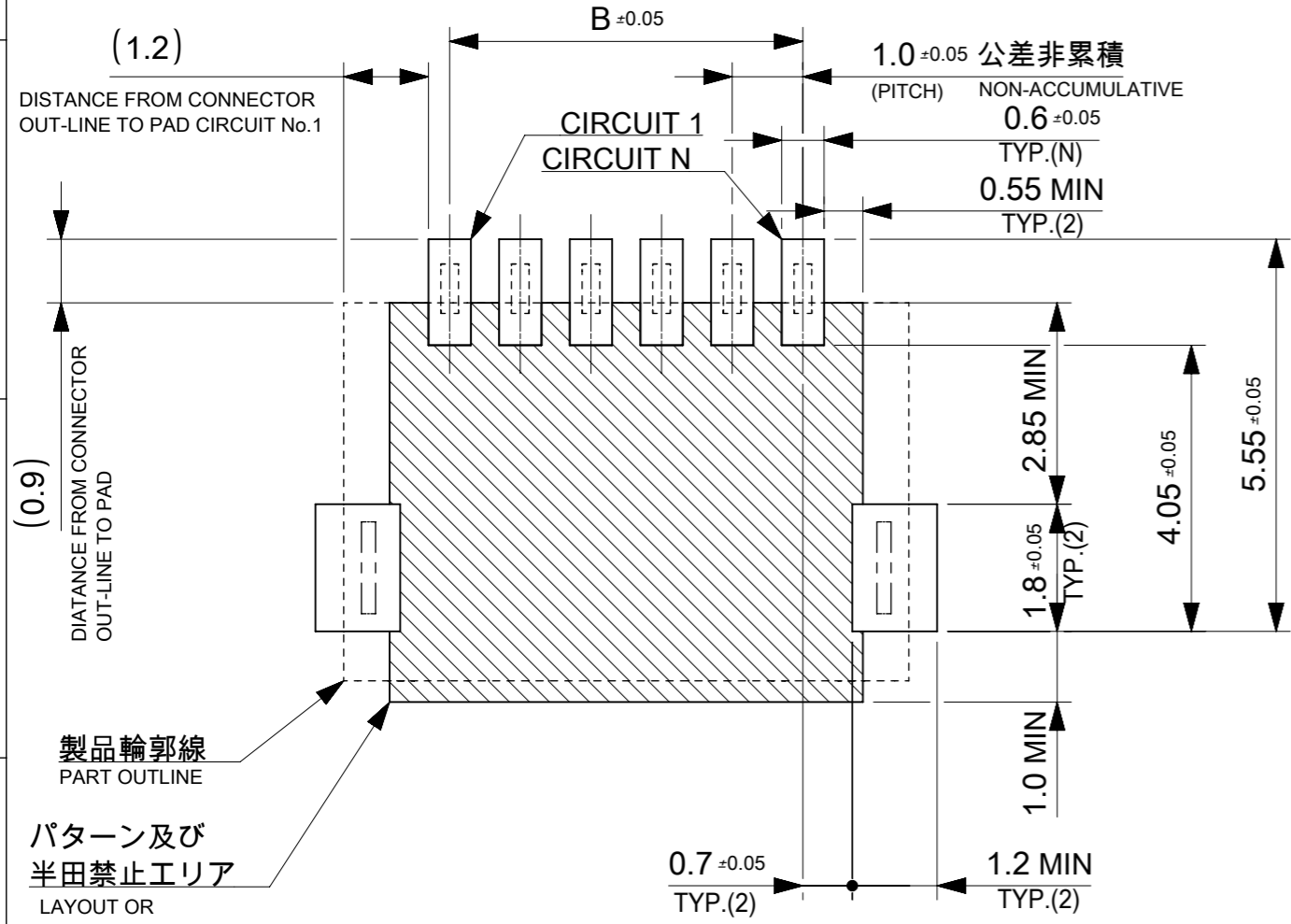
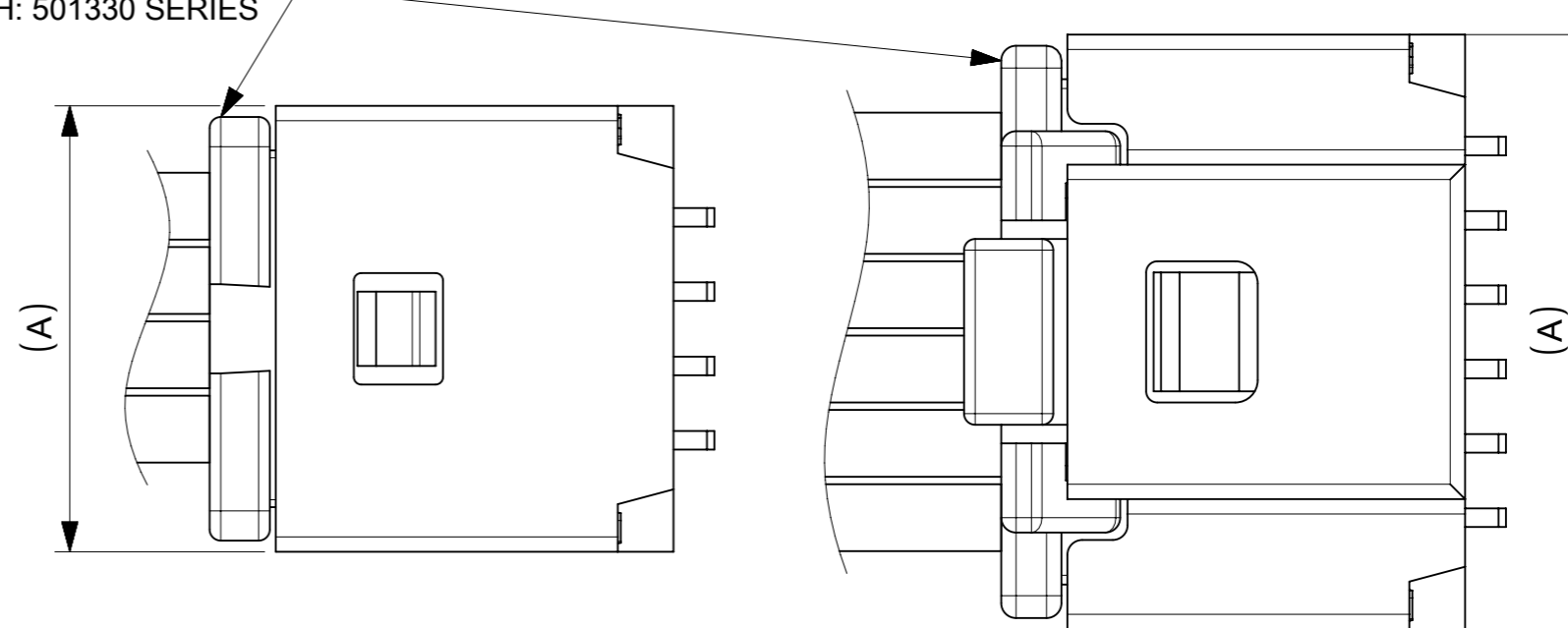
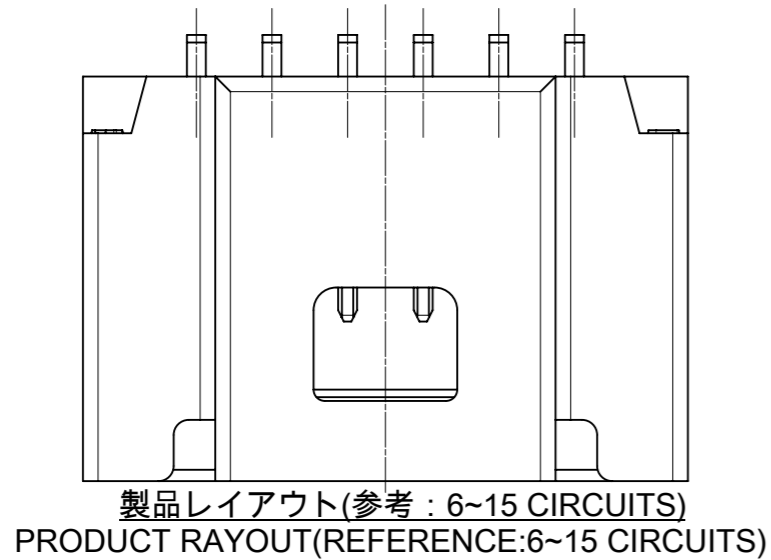
12.7	14.0	17.0	15
11.7	13.0	16.0	14
10.7	12.0	15.0	13
9.7	11.0	14.0	12
8.7	10.0	13.0	11
7.7	9.0	12.0	10
6.7	8.0	11.0	9
5.7	7.0	10.0	8
4.7	6.0	9.0	7
3.7	5.0	8.0	6
C	B	A	極数 CIRCUIT SIZE

番号 NO.	部品 PART	材質 MATERIAL	
①	ウエハー WAFER	ポリアミド(PA), ガラス充填, UL94V-0, LOW HALOGEN, 色 : SEE SHEET 6 POLYAMIDE(PA), GLASS FILLED, UL94V-0, LOW HALOGEN, COLOR : SEE SHEET 6	
②	ソルダーピン SOLDER PIN	リン青銅 PHOSPHOR BRONZE	
		接点部 CONTACT AREA	金めっき : めっき厚はNOTES 10参照 GOLD PLATING : SEE NOTES 10 ABOUT THICKNESS
		テール部 TAIL AREA	金めっき GOLD PLATING
③	ネイル NAIL	下地めっき UNDER PLATING	ニッケルめっき : 1.0 MICRO-METER MIN NICKEL PLATING
		黄銅 BRASS	
		テール部 TAIL AREA	錫めっき : 1.0 MICRO-METER MIN MATTE TIN PLATING
		下地めっき UNDER PLATING	ニッケルめっき : 1.0 MICRO-METER MIN NICKEL PLATING

THIS DRAWING CONTAINS INFORMATION THAT IS PROPRIETARY TO MOLEX ELECTRONIC TECHNOLOGIES, LLC AND SHOULD NOT BE USED WITHOUT WRITTEN PERMISSION

DIMENSION UNITS mm	SCALE NTS	CURRENT REV DESC:		molex			
GENERAL TOLERANCES (UNLESS SPECIFIED)		EC NO: 637929					
ANGULAR TOL ± 3.0°	4 PLACES ± 0.2	DRWN: AISHIKAWA 2020/05/20		PRODUCT CUSTOMER DRAWING			
3 PLACES ± 0.2	3 PLACES ± 0.2	CHK'D: AIDA 2020/05/22		DOCUMENT NUMBER			
2 PLACES ± 0.2	2 PLACES ± 0.2	APPR: SAKIYAMA 2020/05/22		2083870000-SD			
1 PLACE ± 0.2	1 PLACE ± 0.2	INITIAL REVISION:		DOC TYPE DOC PART REVISION			
0 PLACES ± 0.2	0 PLACES ± 0.2	DRWN: AISHIKAWA 2018/12/25		PSD 000 C			
DRAFT WHERE APPLICABLE MUST REMAIN WITHIN DIMENSIONS		THIRD ANGLE PROJECTION	DRAWING	SERIES	MATERIAL NUMBER	CUSTOMER	SHEET NUMBER
			A3-SIZE	208387	SEE SHEET 6	GENERAL	2 OF 6

5 嵌合相手 : 501330シリーズ
MATE WITH: 501330 SERIES



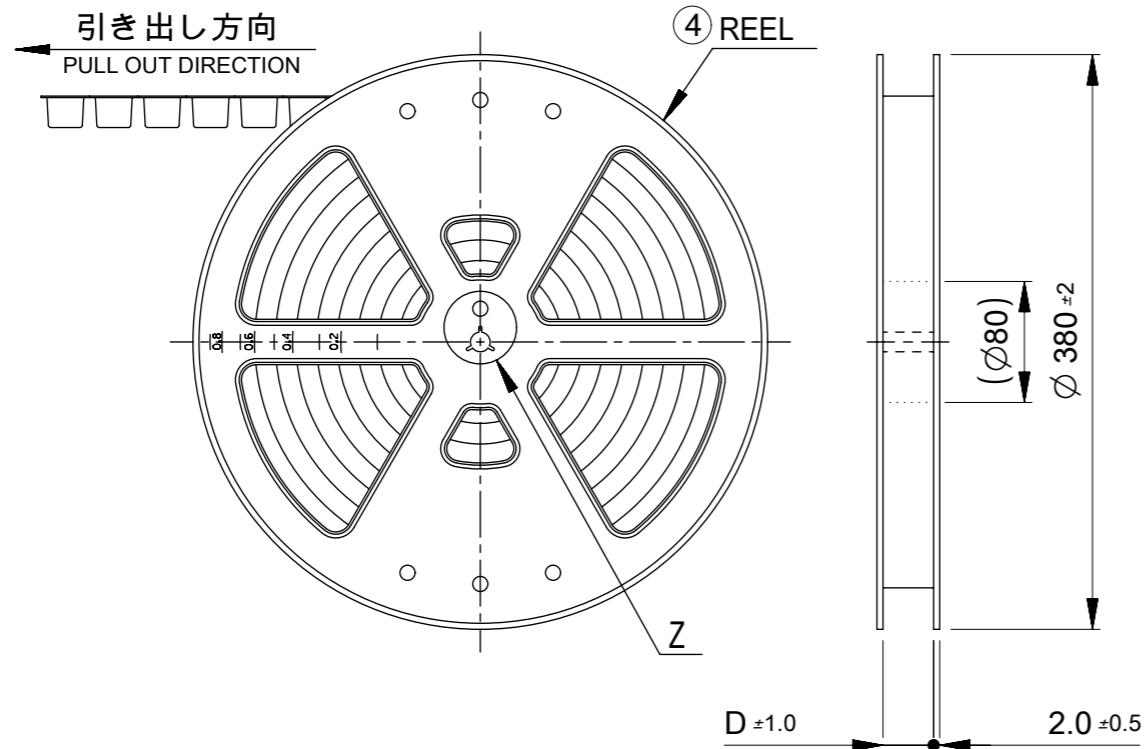
嵌合図
MATED CONNECTORS

推奨基板レイアウト(全極数適応) : 実装面側
(参考: 基板厚 1.0mm, メタルマスク厚さ 0.12mm, マスク開口率100%)

SUGGESTED PCB LAYOUT(APPLY TO ALL CIRCUITS) : COMPONENT SIDE
(REFERENCE: PCB THICKNESS 1.0mm, STENCIL THICKNESS 0.12mm, APERTURE RATIO 100%)

:パターン禁止エリア
RESTRICTED AREA
NO PCB COMPONENTS ALLOWED

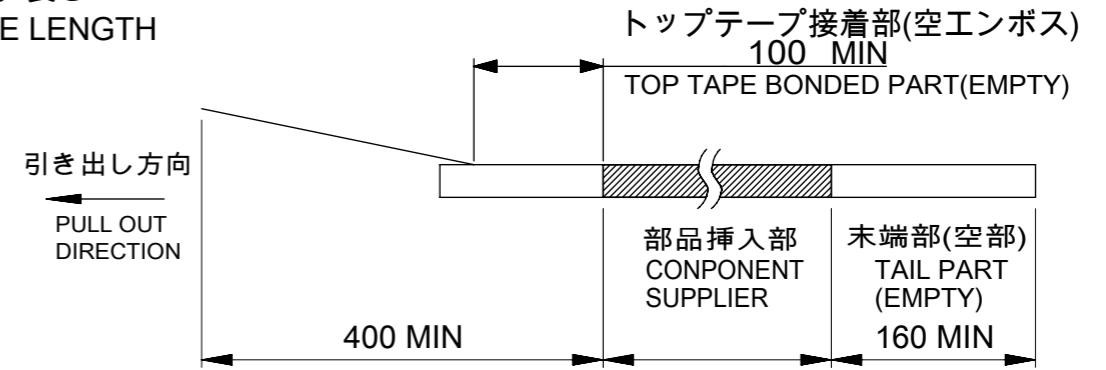
THIS DRAWING CONTAINS INFORMATION THAT IS PROPRIETARY TO MOLEX ELECTRONIC TECHNOLOGIES, LLC AND SHOULD NOT BE USED WITHOUT WRITTEN PERMISSION		CURRENT REV DESC:		molex	
DIMENSION UNITS	SCALE				
mm	NTS			PICO-CLASP 1.0 W/B SINGLE ROW R/A SMT INNER LOCK GOLD PLATING LOW HALOGEN	
GENERAL TOLERANCES (UNLESS SPECIFIED)				PRODUCT CUSTOMER DRAWING	
ANGULAR TOL	± 3.0 °			DOCUMENT NUMBER	
4 PLACES	± 0.2	EC NO: 637929	2020/05/20	2083870000-SD	
3 PLACES	± 0.2	DRWN: AISHIKAWA	2020/05/22	DOC TYPE	DOC PART
2 PLACES	± 0.2	CHK'D: AIDA	2020/05/22	PSD	000
1 PLACE	± 0.2	APPR: SAKIYAMA	2020/05/22	C	
0 PLACES	± 0.2	INITIAL REVISION:		REVISION	
DRAFT WHERE APPLICABLE MUST REMAIN WITHIN DIMENSIONS		DRWN: AISHIKAWA	2018/12/25		
THIRD ANGLE PROJECTION		APPR: KOMURAKAMI	2019/02/06		
DRAWING		SERIES	MATERIAL NUMBER	CUSTOMER	
A3-SIZE		208387	SEE SHEET 6	GENERAL	
SHEET NUMBER		3 OF 6			



NOTES

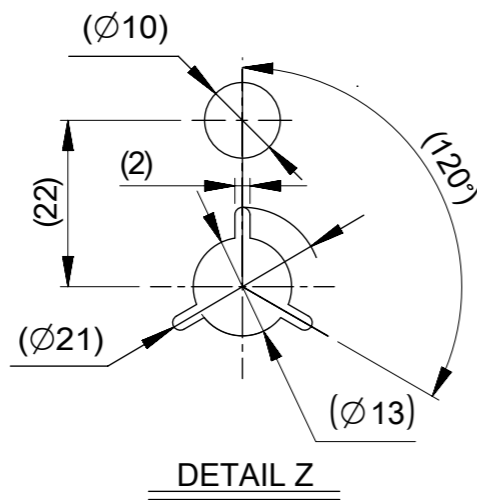
10. 梱包数量
 2-5 CIRCUIT: 1700個/リール
 6-15 CIRCUIT: 1300個/リール
 NUMBER OF CONNECTORS
 2-5 CIRCUIT : 1700 PIECES/REEL
 6-15 CIRCUIT : 1300 PIECES/REEL

11. リードテープ長さ
 LEAD TAPE LENGTH



12. トップテープの剥離強度はIEC60286-3に準拠。
 TOP TAPE PEELING FORCE IS DEFINED BY IEC60286-3.

13. 梱包仕様書 : 2083879200-SPK PS 200
 PACKAGE SPECIFICATION:

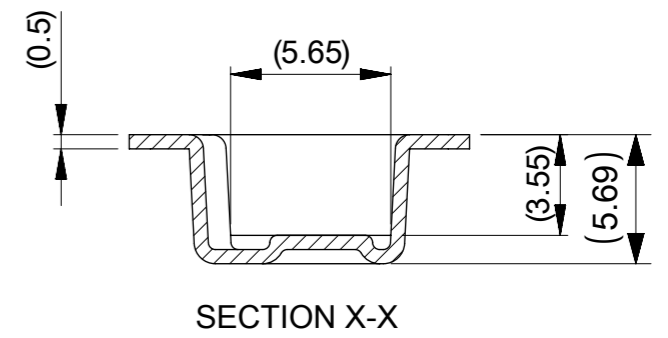
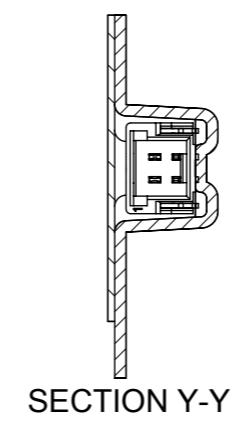
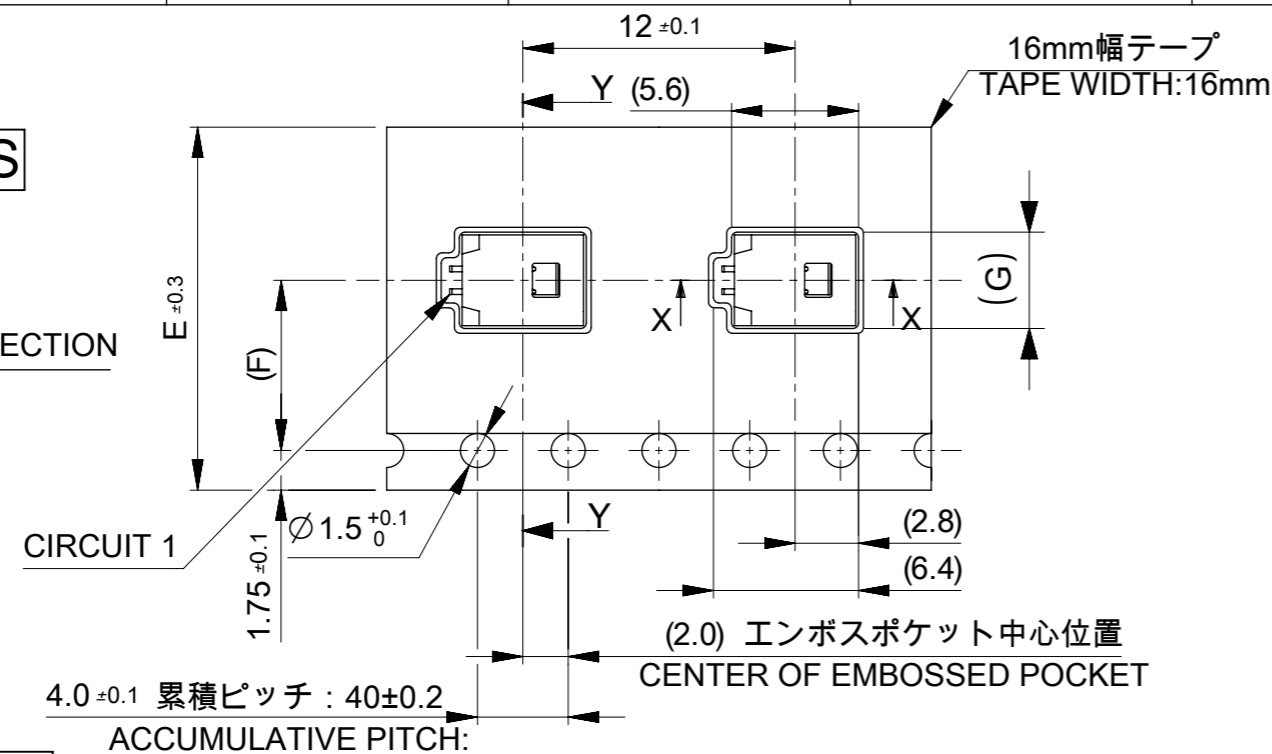


33.4	15
	14
	13
25.4	12
	11
	10
	9
	8
	7
	6
17.5	5
	4
	3
	2
D	極数 CIRCUIT SIZE

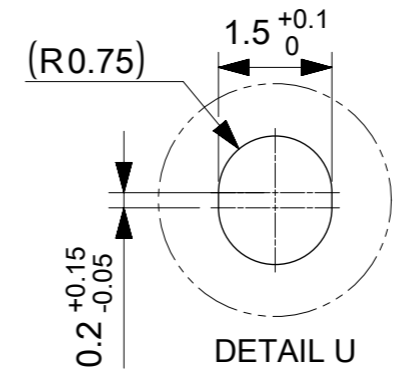
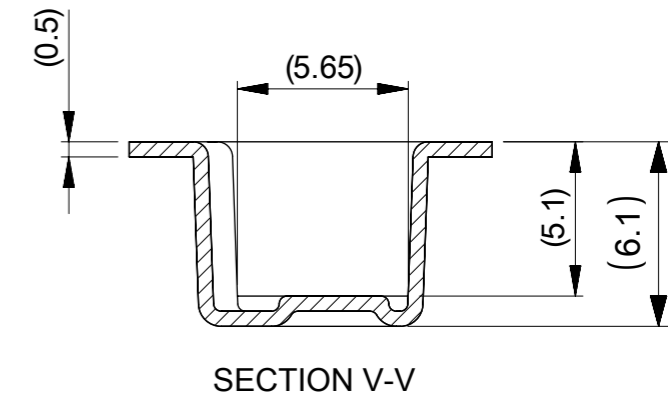
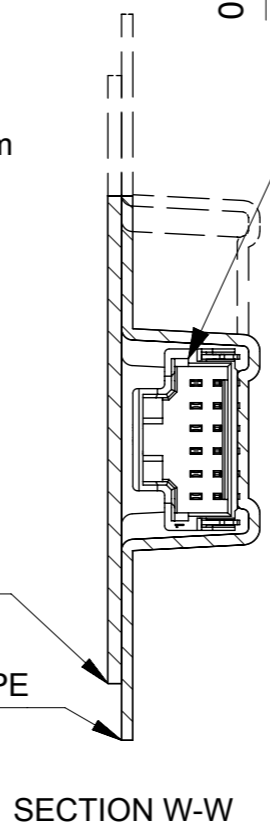
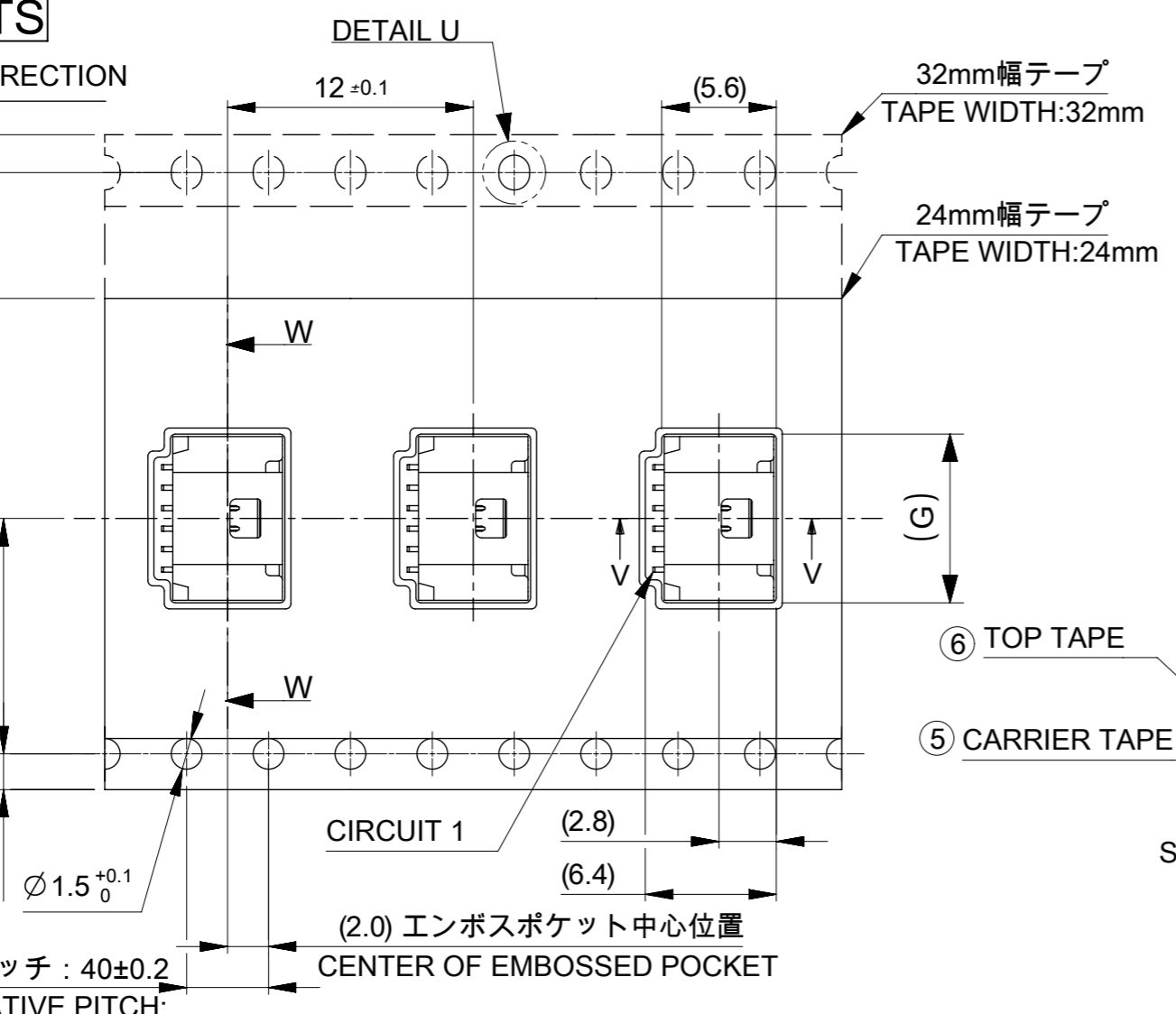
THIS DRAWING CONTAINS INFORMATION THAT IS PROPRIETARY TO MOLEX ELECTRONIC TECHNOLOGIES, LLC AND SHOULD NOT BE USED WITHOUT WRITTEN PERMISSION		CURRENT REV DESC:		molex	
DIMENSION UNITS	SCALE	EC NO: 637929			
mm	NTS	DRWN: AISHIKAWA 2020/05/20		SINGLE ROW R/A SMT INNER LOCK GOLD PLATING LOW HALOGEN	
GENERAL TOLERANCES (UNLESS SPECIFIED)		CHK'D: AIDA 2020/05/22		PRODUCT CUSTOMER DRAWING	
ANGULAR TOL ± 3.0 °		APPR: SAKIYAMA 2020/05/22		DOCUMENT NUMBER	
4 PLACES ± 0.2		INITIAL REVISION:		2083870000-SD	
3 PLACES ± 0.2		DRWN: AISHIKAWA 2018/12/25		DOC TYPE DOC PART REVISION	
2 PLACES ± 0.2		APPR: KOMURAKAMI 2019/02/06		PSD 000 C	
1 PLACE ± 0.2		DRAFT WHERE APPLICABLE MUST REMAIN WITHIN DIMENSIONS		MATERIAL NUMBER	
0 PLACES ± 0.2		THIRD ANGLE PROJECTION		CUSTOMER	
		DRAWING		SHEET NUMBER	
		A3-SIZE		4 OF 6	
		SERIES		GENERAL	
		208387			

番号 NO.	部品 PART	材質 MATERIAL
④	リール REEL	ポリスチレン(PS) <リサイクル材を含む> POLYSTYRENE(PS) <RECYCLE MATERIAL CONTAINED>
DOCUMENT STATUS	P1	RELEASE DATE 2020/05/22 02:13:25

2~5 CIRCUITS



6~15 CIRCUITS



17.3			15
16.3	14.2	32	14
15.3			13
14.3			12
13.3			11
12.3			10
11.3	11.5	24	9
10.3			8
9.3			7
8.3			6
7.3			5
6.3	7.5	16	4
5.3			3
4.3			2
G	コネクタ中心位置 F CENTER OF CONNECTOR	エンボステープ幅 E WIDTH OF TAPE	極数 CIRCUIT SIZE

番号 NO.	部品 PART	材質 MATERIAL
⑤	キャリアテープ CARRIER TAPE	ポリプロピレン(PP)、その他 POLYPROPYLEN(PP), etc
⑥	トップテープ TOP TAPE	ポリエチレン(PE)、その他 POLYETHYLENE(PE), etc

DOCUMENT STATUS	P1	RELEASE DATE	2020/05/22	02:13:25
-----------------	----	--------------	------------	----------

THIS DRAWING CONTAINS INFORMATION THAT IS PROPRIETARY TO MOLEX ELECTRONIC TECHNOLOGIES, LLC AND SHOULD NOT BE USED WITHOUT WRITTEN PERMISSION

DIMENSION UNITS	SCALE	CURRENT REV DESC:	
mm	NTS		
GENERAL TOLERANCES (UNLESS SPECIFIED)			
ANGULAR TOL	± 3.0°		
4 PLACES	± 0.2	EC NO: 637929	2020/05/20
3 PLACES	± 0.2	DRWN: AISHIKAWA	2020/05/22
2 PLACES	± 0.2	CHK'D: AIDA	2020/05/22
1 PLACE	± 0.2	APPR: SAKIYAMA	2020/05/22
0 PLACES	± 0.2	INITIAL REVISION:	
		DRWN: AISHIKAWA	2018/12/25
		APPR: KOMURAKAMI	2019/02/06
DRAFT WHERE APPLICABLE MUST REMAIN WITHIN DIMENSIONS		THIRD ANGLE PROJECTION	DRAWING
		① ②	A3-SIZE
		SERIES	208387
		MATERIAL NUMBER	SEE SHEET 6
		CUSTOMER	GENERAL
		DOCUMENT NUMBER	2083870000-SD
		DOC TYPE	PSD
		DOC PART	000
		REVISION	C
		SHEET NUMBER	5 OF 6

molex
PICO-CLASP 1.0 W/B
SINGLE ROW R/A SMT INNER LOCK GOLD PLATING
LOW HALOGEN
PRODUCT CUSTOMER DRAWING

△10 製品一覧 PRODUCT LIST

0.76 MICRO-METER		0.38 MICRO-METER		0.1 MICRO-METER		金めっき厚 GOLD PLATING THICKNESS
黒 BLACK	自然色 NATURAL(BEIGE)	黒 BLACK	自然色 NATURAL(BEIGE)	黒 BLACK	自然色 NATURAL(BEIGE)	色 COLOR
208387 1513	208387 1503	208387 1515	208387 1505	208387 1517	208387 1507	15
1413	1403	1415	1405	1417	1407	14
1313	1303	1315	1305	1317	1307	13
1213	1203	1215	1205	1217	1207	12
1113	1103	1115	1105	1117	1107	11
1013	1003	1015	1005	1017	1007	10
0913	0903	0915	0905	0917	0907	9
0813	0803	0815	0805	0817	0807	8
0713	0703	0715	0705	0717	0707	7
0613	0603	0615	0605	0617	0607	6
0513	0503	0515	0505	0517	0507	5
0413	0403	0415	0405	0417	0407	4
▽ 0313	▽ 0303	▽ 0315	▽ 0305	▽ 0317	▽ 0307	3
208387 0213	208387 0203	208387 0215	208387 0205	208387 0217	208387 0207	2
発注番号 ORDER No.						極数
PACKAGING STAYLE : EMBOSSED TAPE AND REEL						CIRCUIT SIZE

THIS DRAWING CONTAINS INFORMATION THAT IS PROPRIETARY TO MOLEX ELECTRONIC TECHNOLOGIES, LLC AND SHOULD NOT BE USED WITHOUT WRITTEN PERMISSION		CURRENT REV DESC:		molex	
DIMENSION UNITS mm	SCALE NTS	EC NO: 637929 DRWN: AISHIKAWA 2020/05/20 CHK'D: AIDA 2020/05/22 APPR: SAKIYAMA 2020/05/22			
GENERAL TOLERANCES (UNLESS SPECIFIED)		INITIAL REVISION:		DOCUMENT NUMBER	
ANGULAR TOL ± 3.0 °		DRWN: AISHIKAWA 2018/12/25 APPR: KOMURAKAMI 2019/02/06		2083870000-SD	
4 PLACES ± 0.2	THIRD ANGLE PROJECTION		DRAWING	SERIES	MATERIAL NUMBER
3 PLACES ± 0.2			A3-SIZE	208387	SEE SHEET 6
2 PLACES ± 0.2			CUSTOMER	GENERAL	
1 PLACE ± 0.2	DRAFT WHERE APPLICABLE MUST REMAIN WITHIN DIMENSIONS				
0 PLACES ± 0.2					
				DOC TYPE	DOC PART
				PSD	000
				REVISION	C
				SHEET NUMBER	
				6 OF 6	