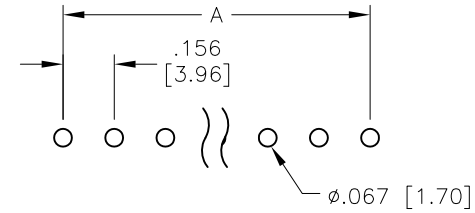
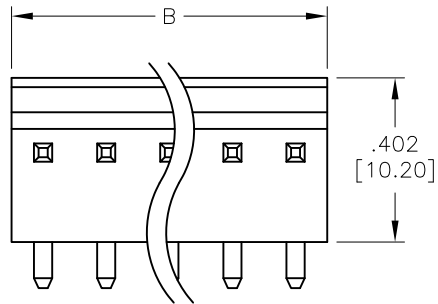
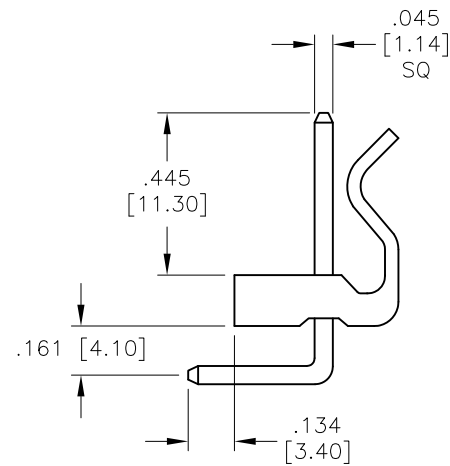
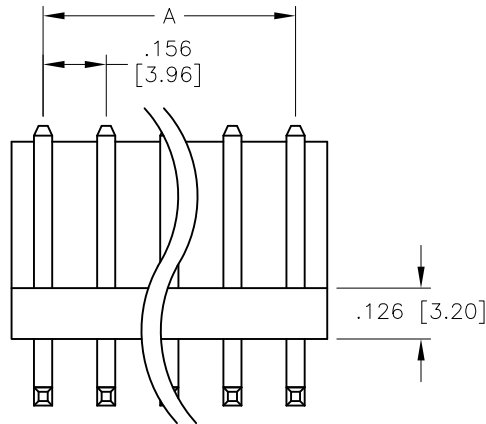


APPROVED: \_\_\_\_\_  
 DATE: \_\_\_\_\_ TITLE: \_\_\_\_\_

Rev	AWO #	Description	Date	Appr
-		RELEASED	4/12/05	
A		REVISED DIM.	2/11/09	
B		UPDATE spec.	10/24/18	AY/TY



RECOMMENDED PCB LAYOUT



**SPECIFICATIONS:**

Material:  
 Insulator: Nylon 66, rated UL 94V-2  
 Insulator color: White  
 Contacts: Brass  
 Plating:  
 Tin over Copper underplate overall  
 Electrical:  
 Voltage rating: 250V AC/DC  
 Current rating: 5 A AC/DC  
 Insulation resistance: 1,000 Mohms min  
 Dielectric withstanding voltage: 1,500 VAC for 1 minute  
 Temperature Rating:  
 -25°C to +85°C  
 Environmental:  
 Lead free, RoHS compliant



Positions: 2 thru 20  
 A = .156 [3.96] x No. of (Positions - 1)  
 B = .156 [3.96] x No. of positions

UNLESS OTHERWISE SPECIFIED ALL DIMENSIONS ARE INCHES [MM] TOLERANCES: EXCEPT AS NOTED	
INCHES	HOLES
.X ± .10	Ø.X ± .10
.XX ± .020	Ø.XX ± .015
.XXX ± .015	Ø.XXX ± .010
APPROVALS	
DRAWN	DATE
SS	4/12/05
CHECKED	
APPROVED	

**ADAM TECH INTERCONNECTS**  
 909 Rahway Avenue,  
 Union, NJ 07083  
 Phone: 908-687-5000  
 Fax: 908-687-5710

TITLE  
**.156 [3.96] POWER HEADER  
 RIGHT ANGLE, WITH LOCK POLARIZER**

SIZE <b>X</b>	PART NO. <b>LHB-XX-SB1</b>	REV. <b>B</b>
REF: S00016T	SCALE: NTS	SHEET 1 OF 1